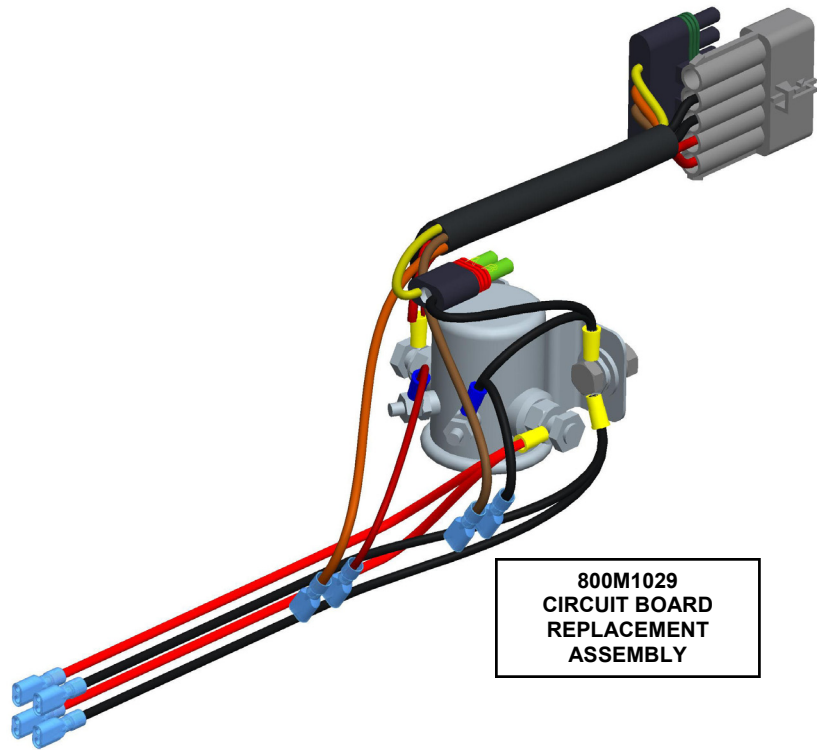




CIRCUIT BOARD REPLACEMENT RELAY FOR 800M0050 & 800M0046 AIR KITS



Questions ? Contact this Professional Installer :

Company : _____

Phone : _____

Installer : _____ Date : _____

INSTALLATION INSTRUCTIONS INDEX

1.0	INTRODUCTION.....	pg. 3
2.0	INSTALLATION INSTRUCTIONS.....	pg. 3

MISCELLANEOUS INFORMATION

	ELECTRICAL SCHEMATIC.....	pg. 5
	AIR KIT PARTS LIST.....	pg. 6

1. INTRODUCTION

The **800M1029 RELAY ASSEMBLY** replaces the 15050020 circuit board used in the 800M0050 & 800M0046 UltraRide Air Kits.

The 800M1029 RELAY ASSEMBLY should be compatible with all UltraRide Installations, even if your vehicle does not use the original control panel supplied with the 800M0050 & 800M0046 air kits (for instance the installer used their own custom switches). If this kit does not function properly, please contact the original suspension installer.

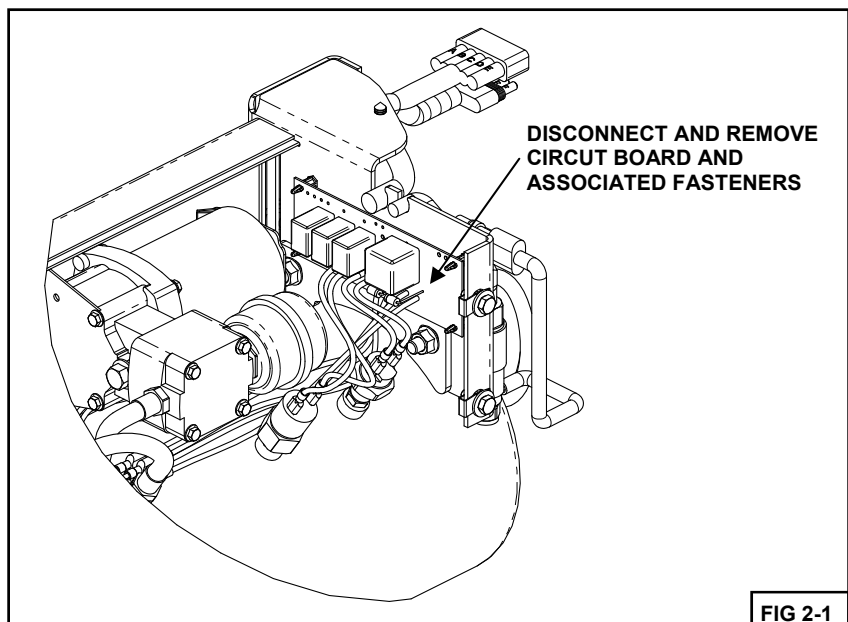
The original wire harness (1505-0021) is still used. There is no need to replace the wire harness.

2. INSTALLATION INSTRUCTIONS

1. Disconnect the vehicles battery to prevent accidental shorts and discharges.
2. Disconnect & Remove the original 15050020 circuit board, as well as its mounting hardware (See Fig. 2-1).
3. Drill 2—1/4" holes 2.20" apart as shown to mount the new relay in the air kit (See Fig. 2-2). NOTE: some 800M0050 air kits will already have these holes from the factory. No 800M0046 air kits will include these holes (they must always be drilled)
4. Install the new relay assembly as shown. The relay has been shipped with many of the electrical connections and hardware pre-assembled to ease installation as much as possible.

For the Connection of the wires in steps 5 through 9 refer to Fig. 2-3 for visual reference.

5. Connect the orange wire to the compressor pressure switch as shown.
6. Connect the red wire from the relay coil (on the small terminals) to the other tab on the compressor pressure switch.
7. Connect the tan wire to the low pressure warning light switch as shown.
8. Connect the black wire from the relay coil (on the small terminal) to the other tab on the low pressure warning light switch as shown..

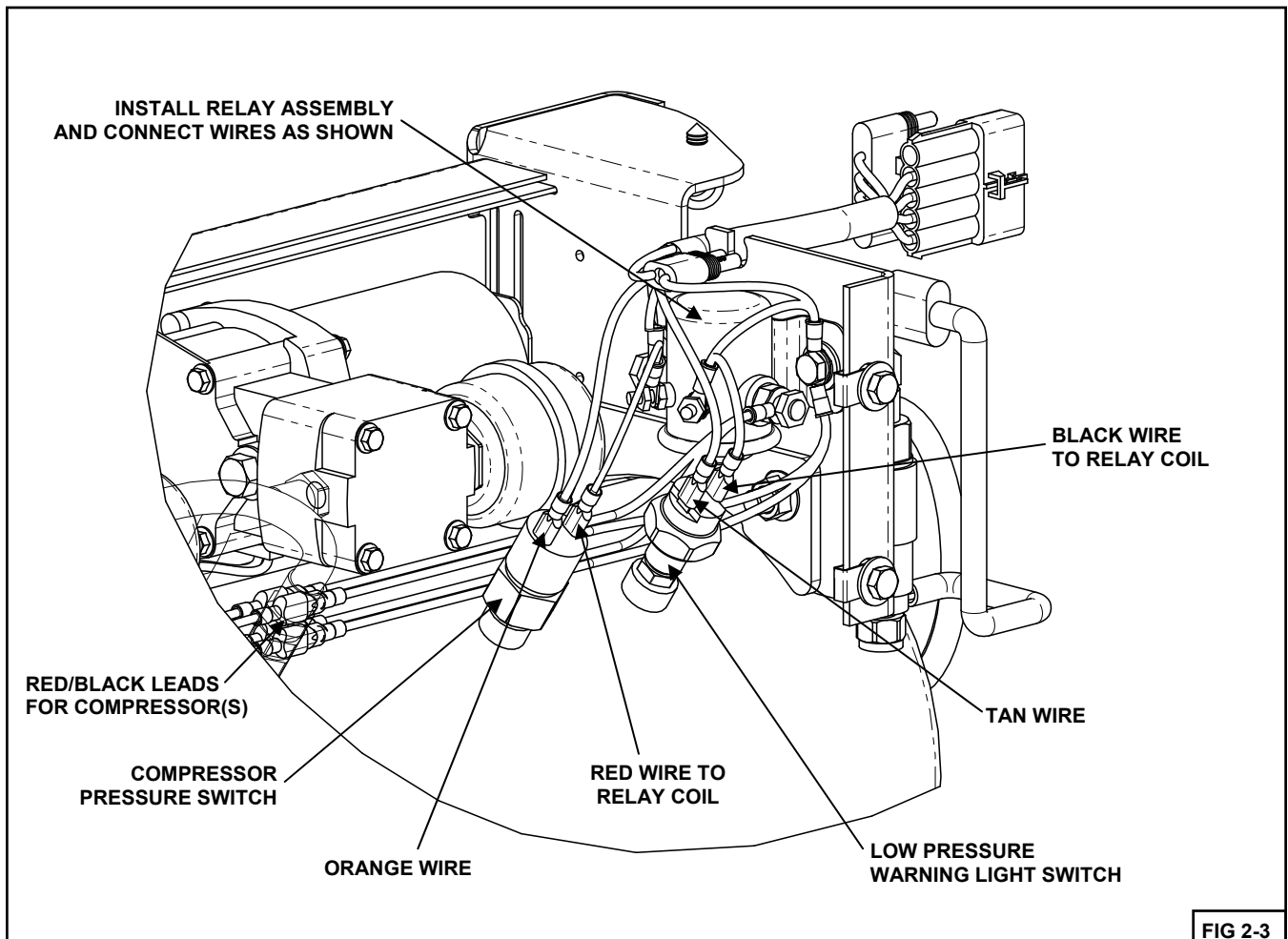
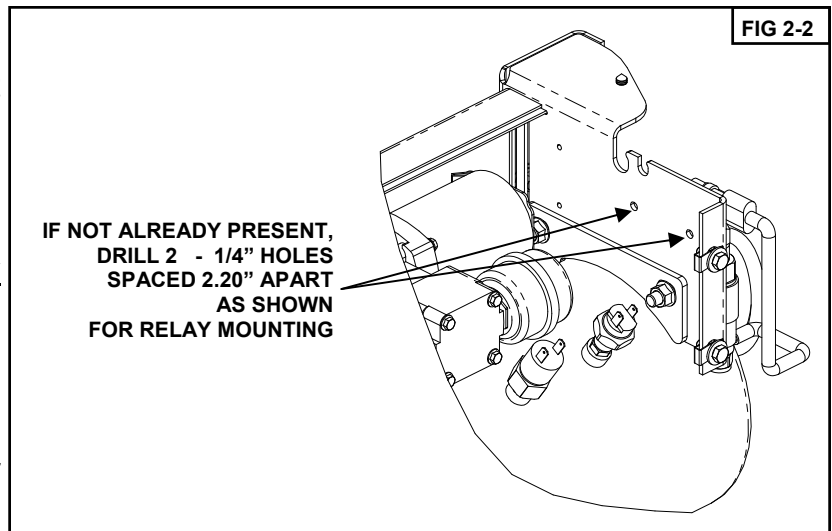


9. Connect the red and black wires from the relay to the corresponding red and black wires from the compressor(s).

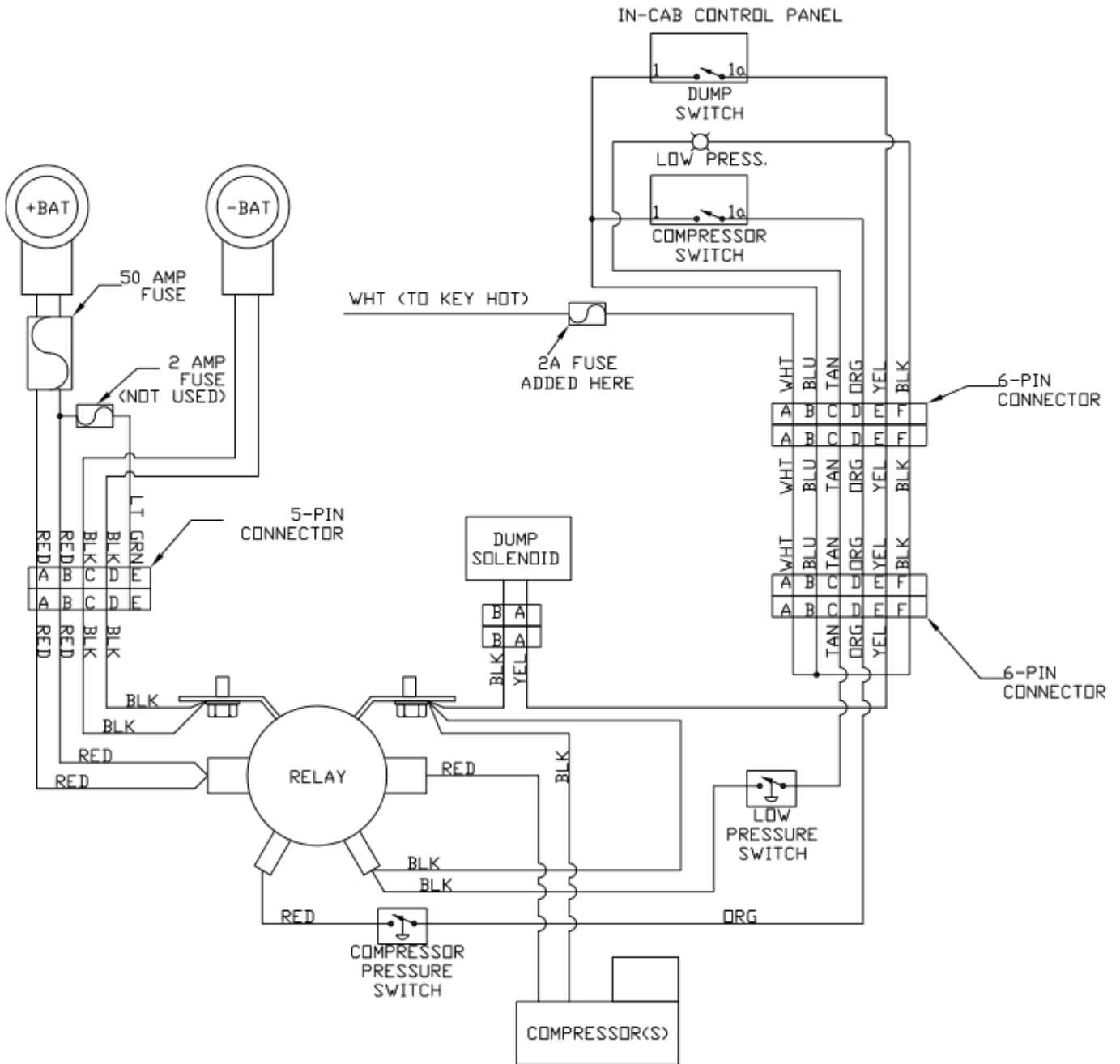
10. Locate the +12V ignition (key hot) power source for the air kit controls behind the dash. This should be a white wire from a +12V ignition source to the UltraRide Air Kit Wire harness. Location of this wire may vary depending on the installer and available +12V ignition sources. (See page 5 for electrical schematic).

11. Splice the included fuse holder into the +12V ignition lead using the included solder splice connectors (or a connector of your choice). To use the included solder splices: 1.) strip both ends of the wire 1/4," 2.) insert the ends of the wire into the solder splice with the bare wires overlapping at the center of the solder splice. 3.) Using a lighter or small torch, heat the solder splice until the solder flows, bonding the bare wires together. Continue to heat the ends of the solder splice to shrink the tube around the wires.

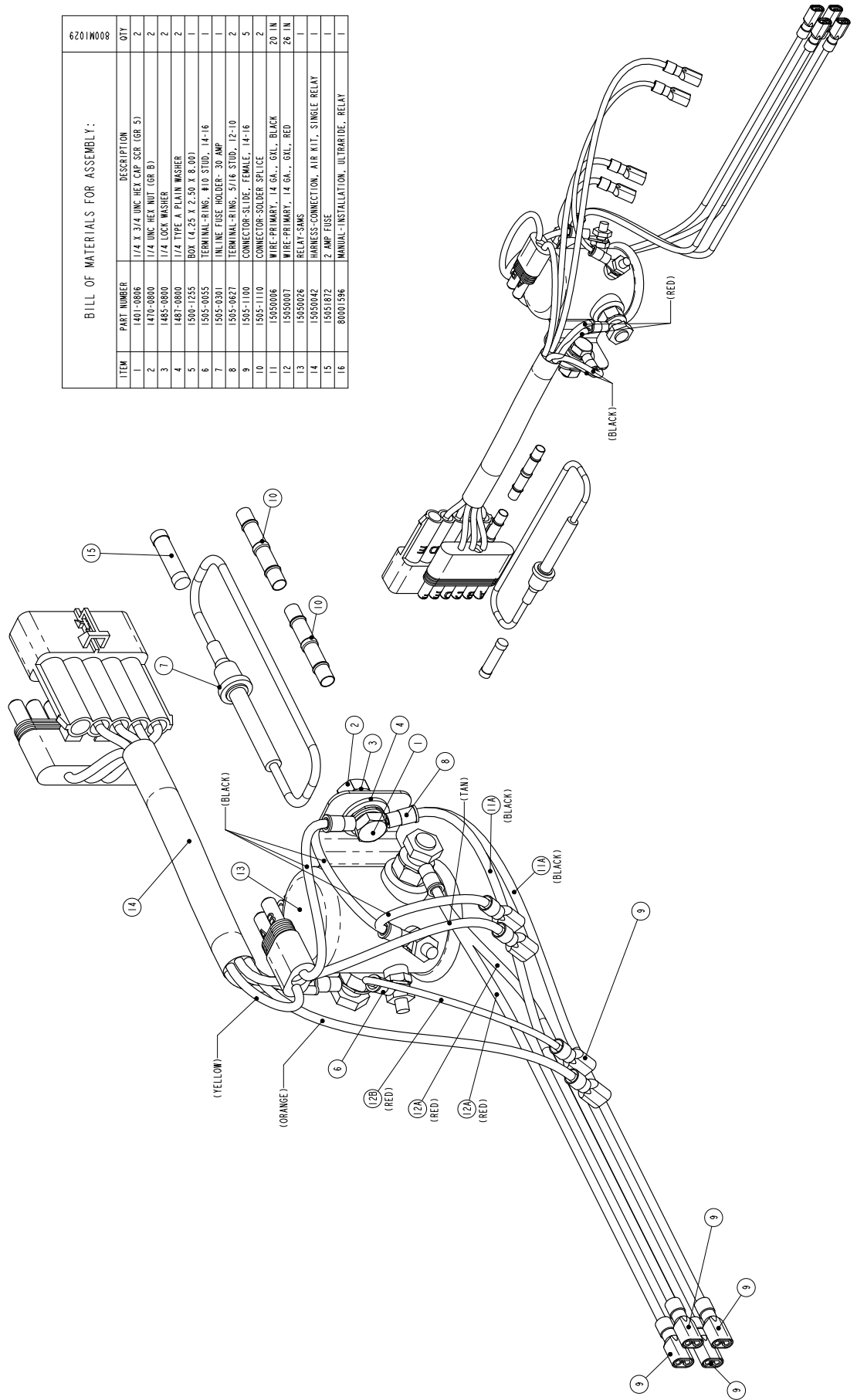
12. Reconnect the vehicle battery and verify the operation of the air kit.



ELECTRICAL SCHEMATIC



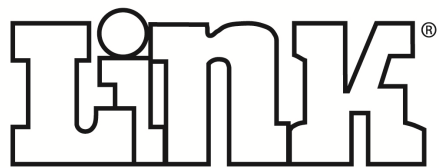
800M1029 REPLACEMENT RELAY ASSEMBLY PARTS LIST



800M1029

BILL OF MATERIALS FOR ASSEMBLY:

ITEM	PART NUMBER	DESCRIPTION	QTY
1	1401-0806	1/4 X 3/4 UNC HEX CAP SCR. (GR. 5)	2
2	1470-0800	1/4 UNC HEX NUT (GR. B)	2
3	1485-0800	1/4 LOCK WASHER	2
4	1487-0800	1/4 TYPE A FLAIN WASHER	2
5	1500-1255	BOX (4.25 X 2.50 X 8.00)	1
6	1505-0055	TERMINAL-RING, #10 STUD, 14-16	1
7	1505-0301	INLINE FUSE HOLDER- 30 AMP	1
8	1505-0627	TERMINAL-RING, 5/16 STUD, 12-10	2
9	1505-1100	CONNECTOR-SLIDE, FEMALE, 14-16	5
10	1505-1110	CONNECTOR-SOLDER SPLICE, 2	2
11	15050006	WIRE-PRIMARY, 14 GA., OIL, BLACK	20 IN
12	15050007	WIRE-PRIMARY, 14 GA., OIL, RED	26 IN
13	15050026	RELAY-SIMS	1
14	15050042	HARNESS-CONNECTION, AIR KIT, SINGLE RELAY	1
15	15051872	2 AMP FUSE	1
16	80001596	MANUAL-INSTALLATION, ULTRARIDE, RELAY	1



Link Mfg. Ltd.
223 15th St. NE
Sioux Center, IA USA
51250-2120

(712) 722-4874

<http://www.linkmfg.com/>