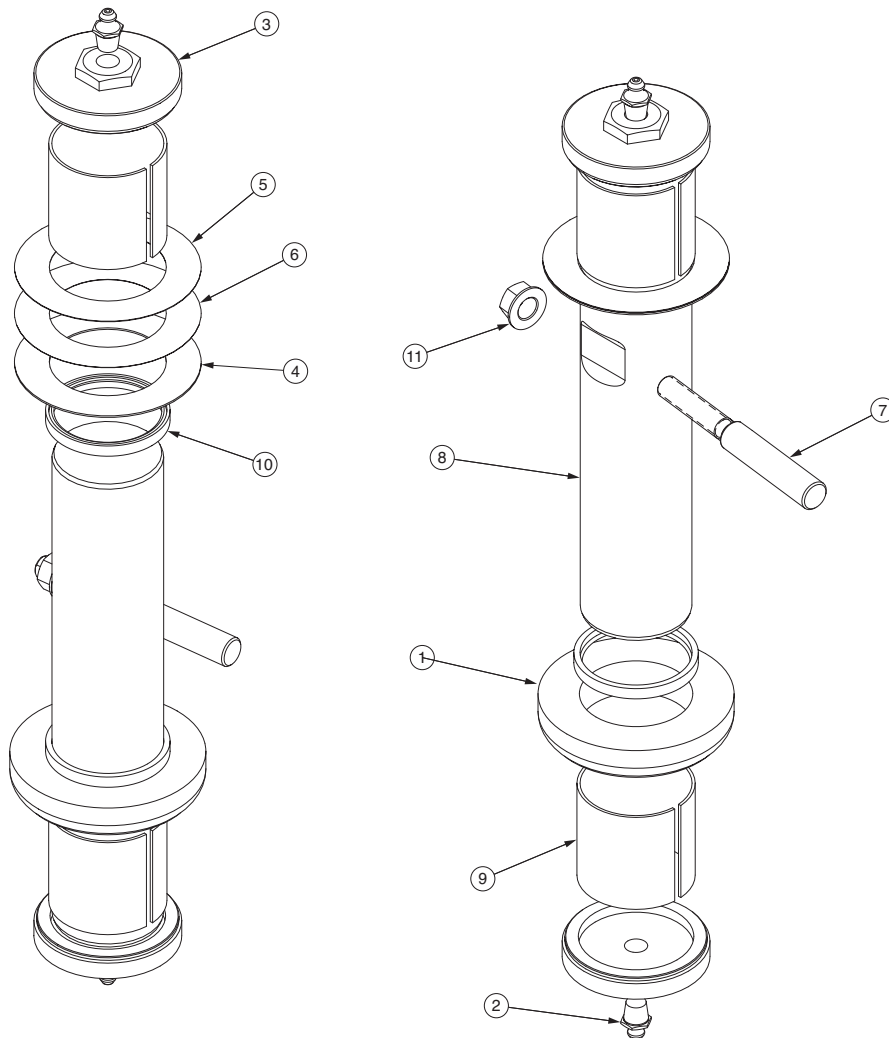


KING PIN KITS

DuraLift & Model 9000 - 13.2K & 12K



KING PIN KIT 13.2K PART NO. 84001931
KING PIN KIT 12K PART NO. 84001930

ITEM	PART NO.	DESCRIPTION	QTY
1	84001432	BEARING-THRUST (13.2K KING PIN KIT ONLY)	2
1	84001431	BEARING-THRUST (12K KING PIN KIT ONLY)	2
2	84001901	FITTING-GREASE	4
3	84001902	CAP-KNUCKLE	4
4	84001903	SHIM (.030)	2
5	84001904	SHIM (.010)	3
6	84001905	SHIM (.005)	1
7	84001906	PIN-DRAW, LOCKING	2
8	84001907	PIN-KING, DANA	2
9	84001910	BUSHING-KNUCKLE	4
10	84001911	SEAL-KNUCKLE	4
11	1480-1204	3/8 UNC TOP LOCK FL NUT, OIL&PHOS	2

SPEC'ING

SELF-STEER
LIFTAXLES

NON-STEER
LIFTAXLES

OPTIONAL
EQUIPMENT

SERVICE
PARTS



KING PIN KITS

DuraLift II 13.2K

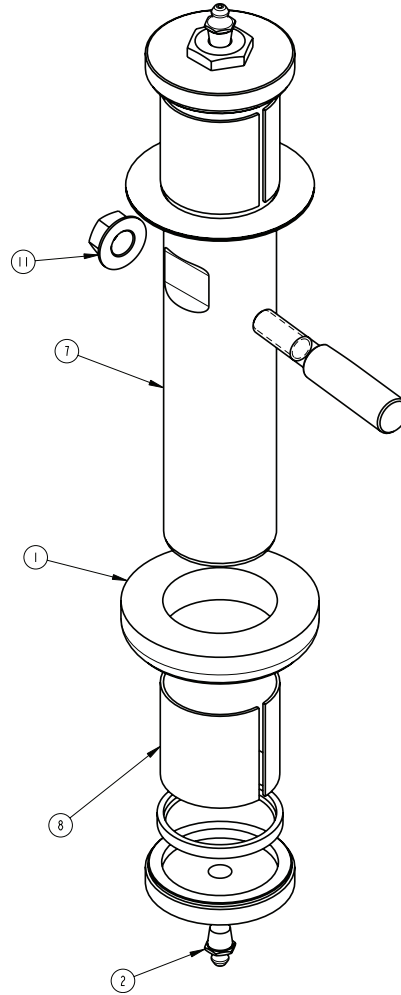
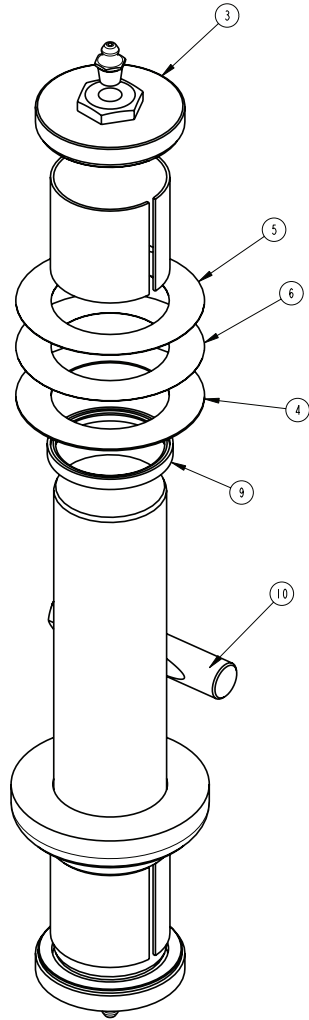
SPEC'ING

SELF-STEER
LIFTAXLES

NON-STEER
LIFTAXLES

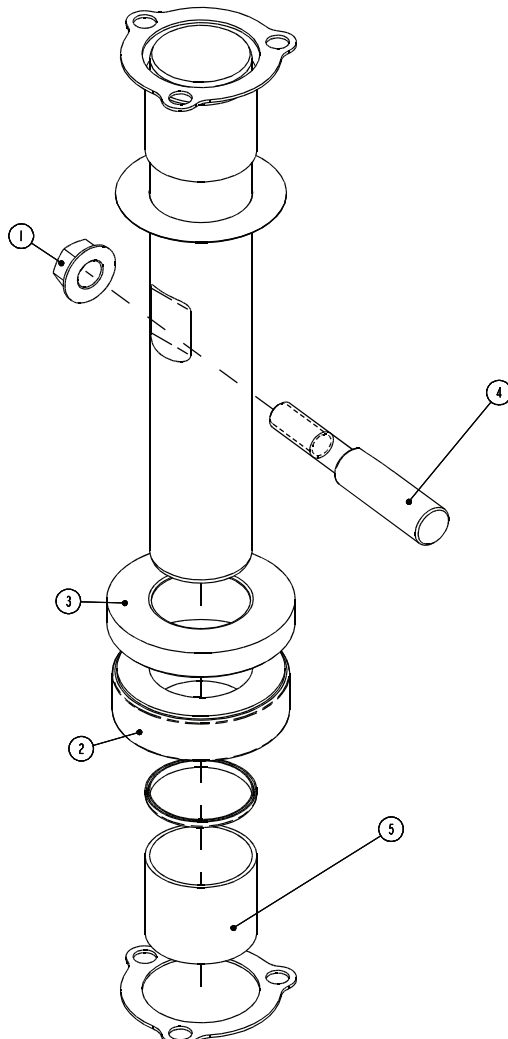
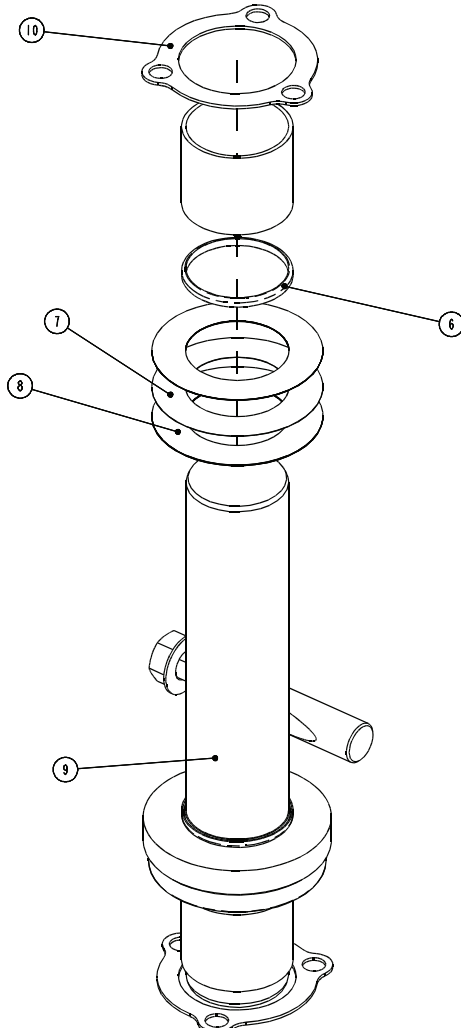
OPTIONAL
EQUIPMENT

SERVICE
PARTS



KING PIN KIT 13.2K PART NO. 84001932 (DURALIFT II) USE WITH AXLE 830A0009

ITEM	PART NO.	DESCRIPTION	QTY
1	84001432	BEARING-THRUST	2
2	84001901	FITTING-GREASE	4
3	84001902	CAP-KNUCKLE	4
4	84001903	SHIM (.30)	2
5	84001904	SHIM (.010)	3
6	84001905	SHIM (.005)	1
7	84001907	PIN-KING, DANA	2
8	84001910	BUSHING-KNUCKLE	4
9	84001911	SEAL-KNUCKLE	4
10	84001928	PIN-DRAW, LOCKING	2
11	1480-1404	7/16 UNC, TOP LOCK FL NUT (GR G) O&P	2



KING PIN KIT 8K PART NO. 84001933

ITEM	PART NO.	DESCRIPTION	QTY
1	1480-1404	7/16 UNC TOP LOCK FL NUT (GR G) O&P	.2
2	84001433	BEARING-THRUST	.2
3	84001436	CAP-BEARING	.2
4	84001928	PIN-DRAW, LOCKING	.2
5	84001986	BUSHING-KNUCKLE	.4
6	84001987	SEAL-KNUCKLE	.6
7	84001988	SHIM (.005)	.8
8	84001989	SHIM (.010)	.8
9	84001990	PIN-KING, 8K	.2
10	84001992	GASKET-CAP, KING PIN	.4

SPEC'ING

SELF-STEER
LIFTAXLES

NON-STEER
LIFTAXLES

OPTIONAL
EQUIPMENT

SERVICE
PARTS

KING PIN KITS

DuraLift II 13.2K

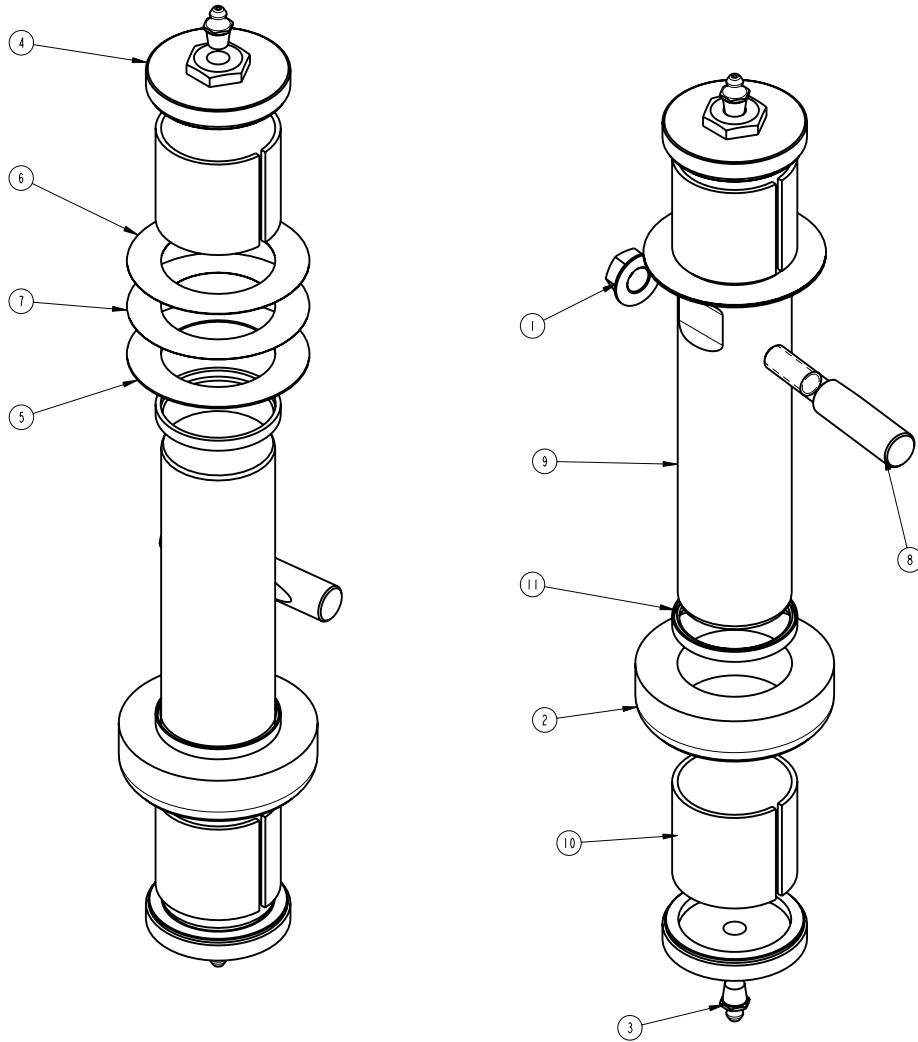
SPEC'ING

SELF-STEER
LIFTAXLES

NON-STEER
LIFTAXLES

OPTIONAL
EQUIPMENT

SERVICE
PARTS

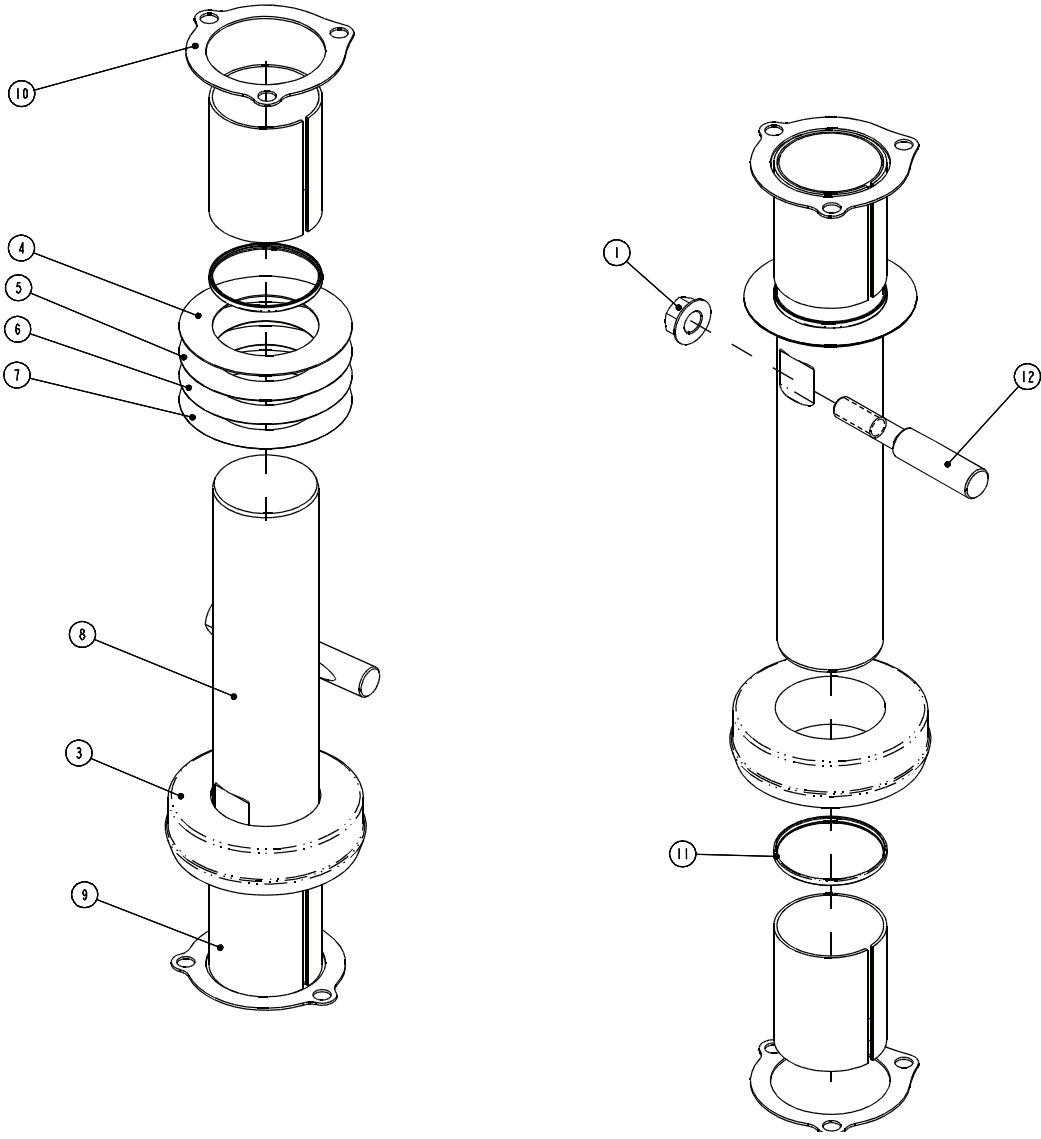


KING PIN KIT 13.2K PART NO. 84001934 USE WITH AXLE 830A0016 (see page 81)

ITEM	PART NO.	DESCRIPTION	QTY
1	1480-1404	7/16 UNC TOP LOCK FL NUT (GR G) O&P	.2
2	84001435	BEARING THRUST	.2
3	84001901	FITTING-GREASE	.4
4	84001902	CAP-KNUCKLE	.4
5	84001903	SHIM (.030)	.2
6	84001904	SHIM (.010)	.3
7	84001905	SHIM (.005)	.1
8	84001928	PIN-DRAW, LOCKING	.2
9	84002020	PIN-KING, DANA	.2
10	84002021	BUSHING-KNUCKLE	.4
11	84002022	SEAL-KNUCKLE	.4

KING PIN KITS

DuraLift II 20K



KING PIN KIT 20K PART NO. 84001768

ITEM	PART NO.	DESCRIPTION	QTY
1	1480-1404	7/16 UNC TOP LOCK FL NUT (GR G) O&P	2
2	1500-1184	BOX (14.00 X 6.00 X 6.00)	1
3	84001436	BEARING-THRUST	2
4	84001749	SHIM (.030)	2
5	84001750	SHIM (.015)	2
6	84001751	SHIM (.010)	2
7	84001752	SHIM (.005)	2
8	84001760	PIN-KING	2
9	84001761	BUSHING-KNUCKLE	4
10	84001763	GASKET-CAP, KING PIN	4
11	84001765	SEAL-KNUCKLE	4
12	84001928	PIN-DRAW, LOCKING	2

SPEC'ING

SELF-STEER
LIFTAXLES

NON-STEER
LIFTAXLES

OPTIONAL
EQUIPMENT

SERVICE
PARTS