

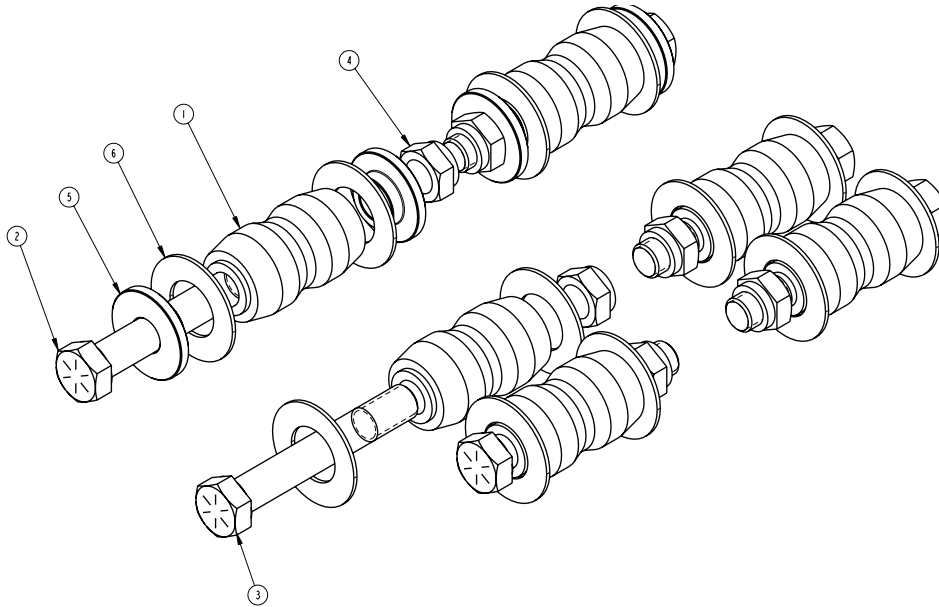
SELF-STEER
LIFTAXLES

NON-STEER
LIFTAXLES

OPTIONAL
EQUIPMENT

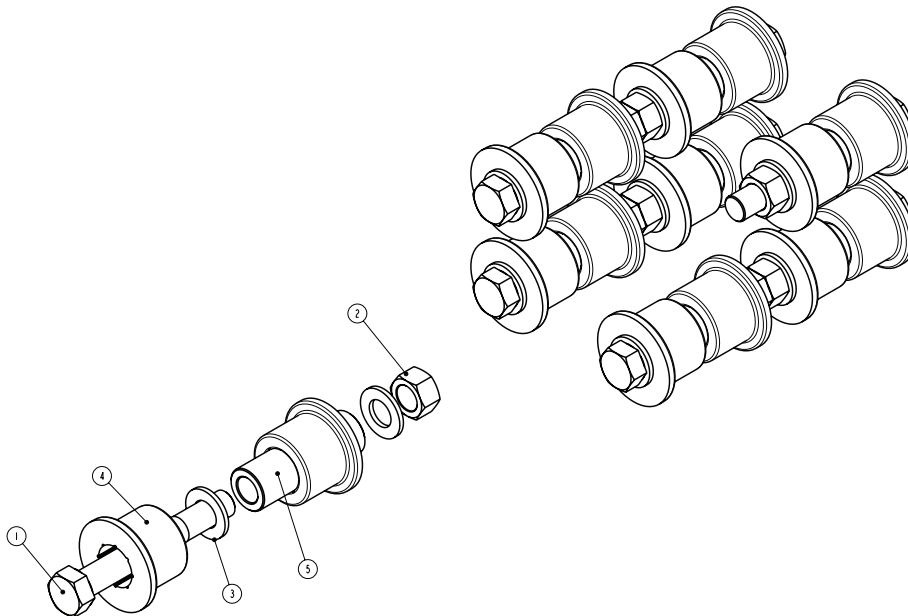
SPEC'ING &
OPERATION

SERVICE
PARTS



PART NO. 800A0079 - FOR DURAMAX & 5000 - AFTER JULIAN DAYCODE 00264001

ITEM	PART NO.	DESCRIPTION	QTY
1	1500-0870	BUSHING-PIVOT, RUBBER	.6
2	1506-0021	1 1/8 X 8 UNF HEX CAP SCR, (GR 8)	.2
3	1506-0022	1 1/8 X 7 1/2 UNF HEX CAP SCR, (GR 8)	.4
4	1506-0023	1 1/8 UNF HEX TOP LOCK NUT, COLLAR STYLE	.6
5	8100-0128	COLLAR,, ALIGNMENT, STEEL	.4
6	80000087	THRUST WASHER	.12



PART NO. 800A0133 - DURALIFT II, 8K, & 13.2K

ITEM	PART NO.	DESCRIPTION	QTY
1	1400-2444	3/4 X 5 1/2 UNF HEX CAP SCR (GR 8) O&P	.8
2	1477-2406	3/4 UNF HEX TOP LOCK NUT (GR C) O&P	.8
3	1488-2402	3/4 SAE HARDENED WASHER	.16
4	15000890	BUSHING	.16
5	80001210	TUBE-BUSHING	.8