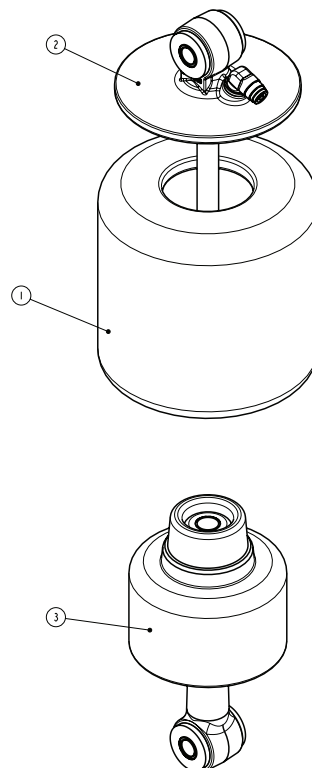


DURALIFT II LIFT ACTUATOR

DURALIFT II ACTUATOR PART NO. 800A0130

ITEM	PART NO.	DESCRIPTION	QTY
1	1103-0060	SLEEVE-AIR	1
2	800A0131	CAP-CYL., AIR	1
3	800A0132	PISTON-CYL.,AIR	1



SPEC'ING

SELF-STEER
LIFTAXLES

NON-STEER
LIFTAXLES

OPTIONAL
EQUIPMENT

SERVICE
PARTS

DURALIFT ACTUATOR-SPRING PART NO. 800A0087

ITEM	PART NO.	DESCRIPTION	QTY
1	1485-1200	3/8 LOCK WASHER	4
2	11030059	SPRING-AIR	1
3	15001604	O-RING, 1.484 I.D. X .139 SECTION	2
4	140B-1208	3/8 X 1 UNC HEX CAP SCR (GR 8) O&P	4
5	800A0088	BRACKET-MOUNT, AIR SPRING	1
6	800A0089	BRACKET-MOUNT, AIR SPRING	1

