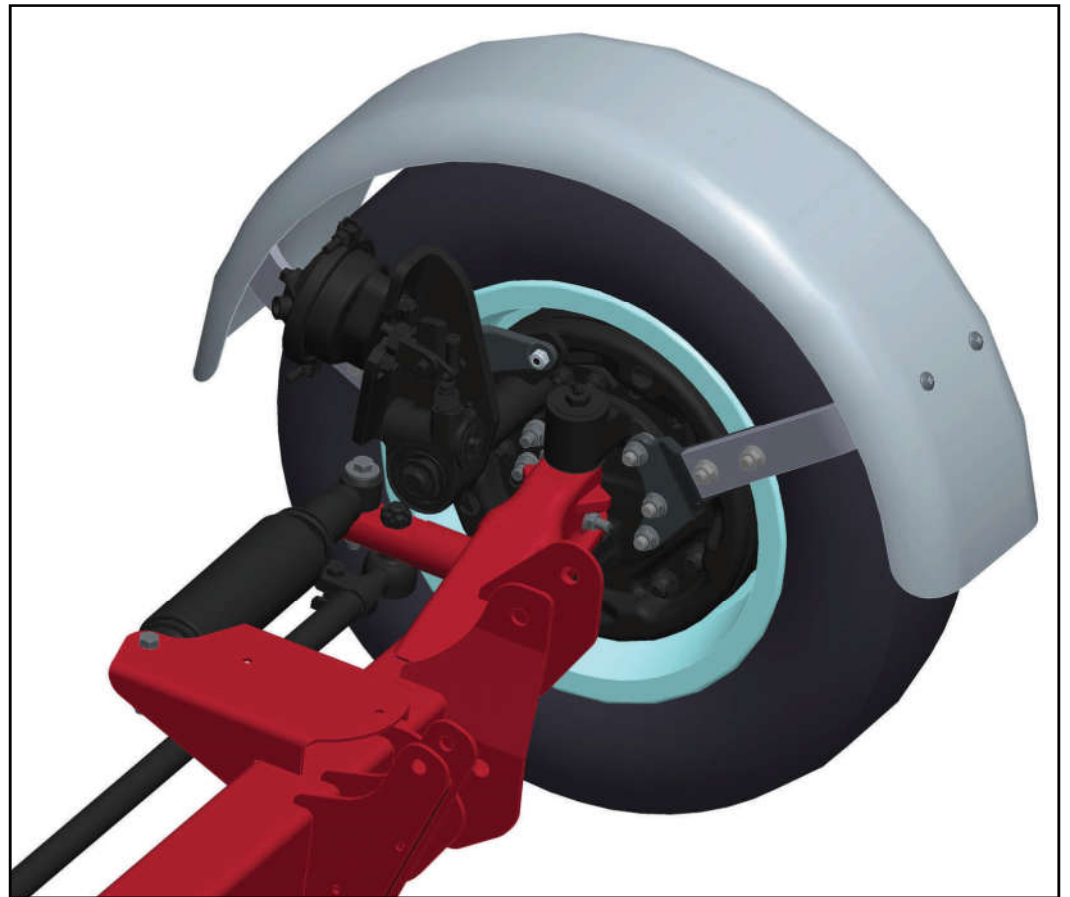




# INSTALLATION INSTRUCTIONS PARTS LIST

## 8K INTEGRATED FENDER BRACKET KIT (80002608)



*Link mfg. Ltd.  
223 15th St. N.E.  
Sioux Center, IA USA  
51250-2120*

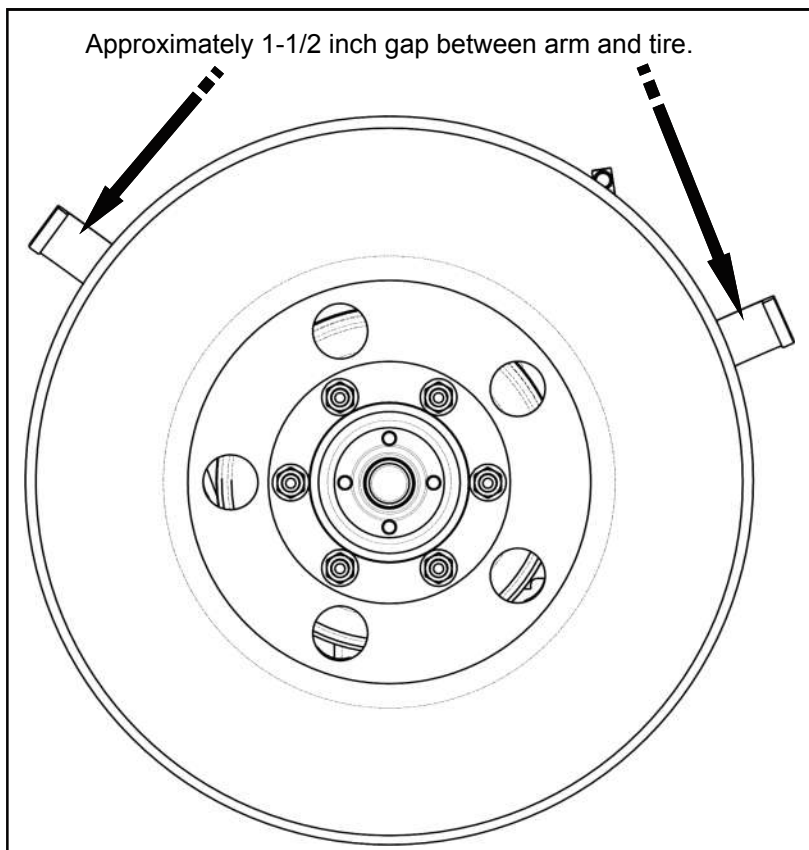
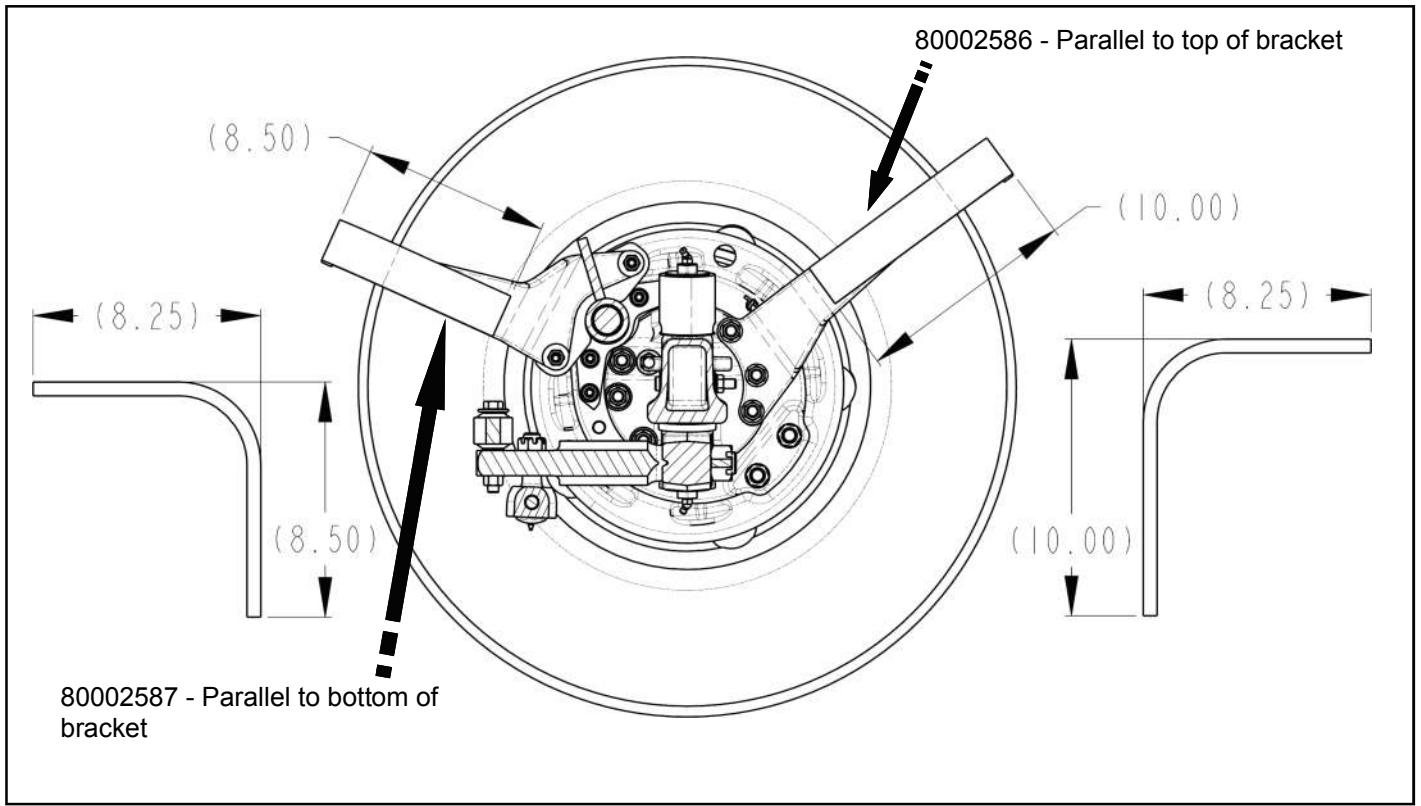
*(712) 722-4874  
Fax (712) 722-4876*

**QUESTIONS?  
CALL CUSTOMER  
SERVICE  
1-800-222-6283**

This **FENDER BRACKET KIT** is used for the Link Duralift II Suspension. (8K Model)

# Step 1.

Clamp both the 80002586 and 80002587 arms to the brackets as shown. The 80002586 should be parallel to the top of the bracket it is clamped to. The 80002587 should be parallel to the bottom of the bracket it is clamped to.



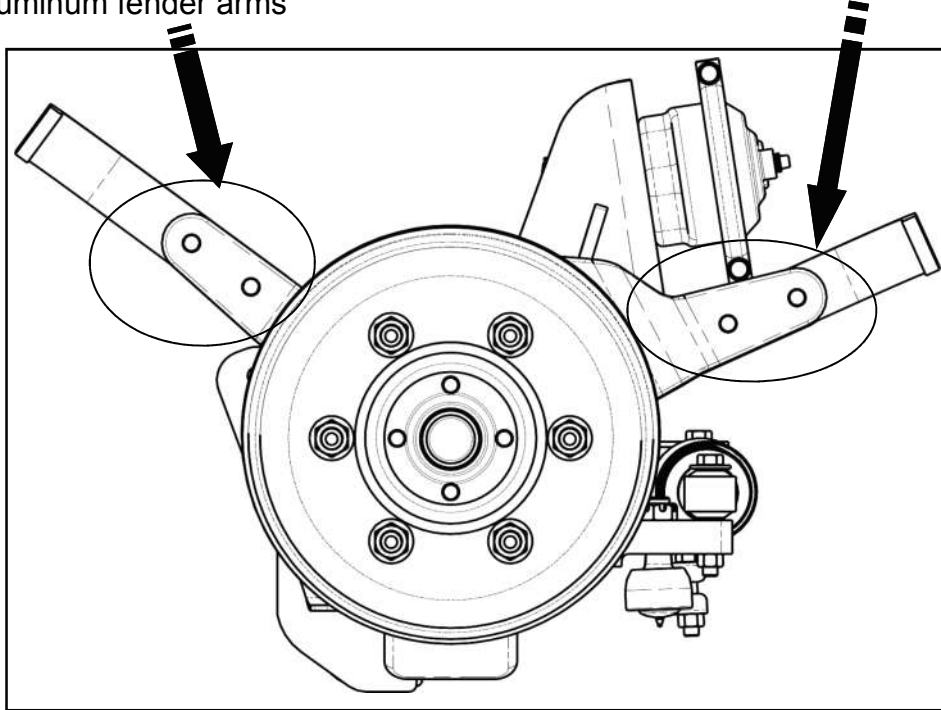
## Step 2.

Optional: Remove tires for ease of marking hole locations.

Mark where to drill the mounting holes using the mounting brackets as a template.

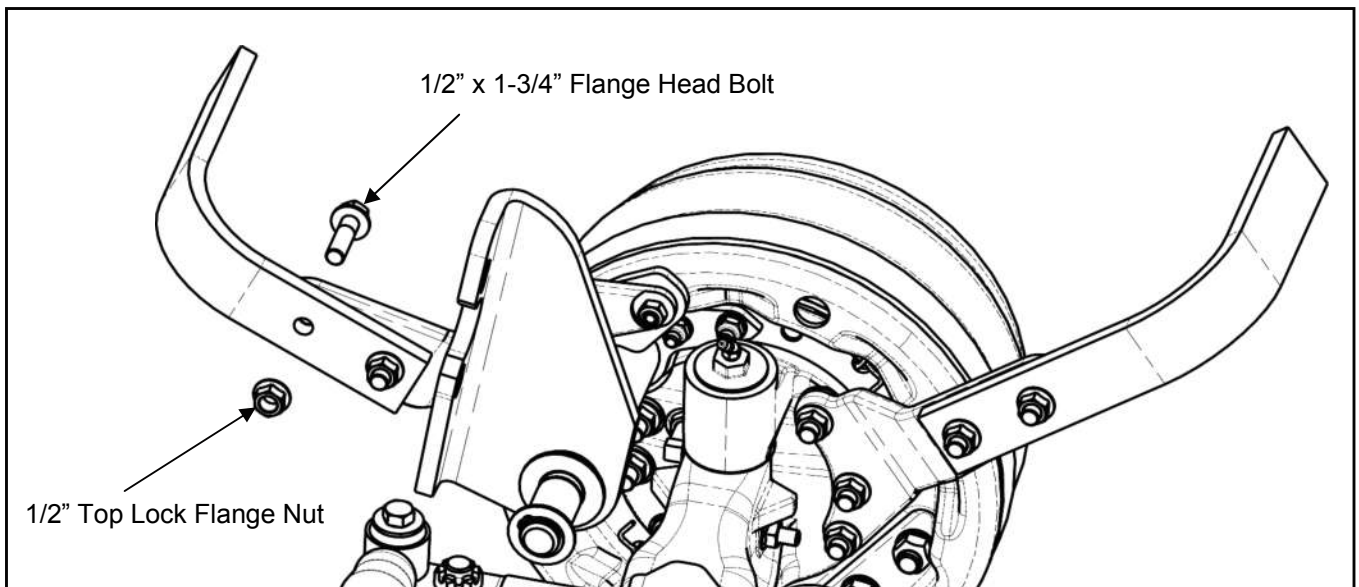
Remove the arms and drill 9/16" diameter holes for mounting.

Using the mounting brackets as a template, mark where to drill for mounting the aluminum fender arms



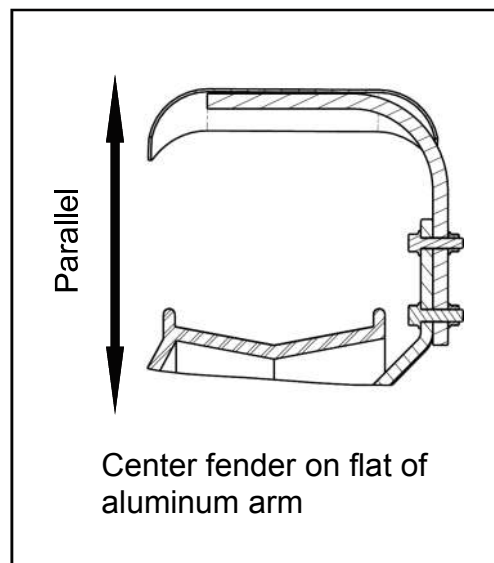
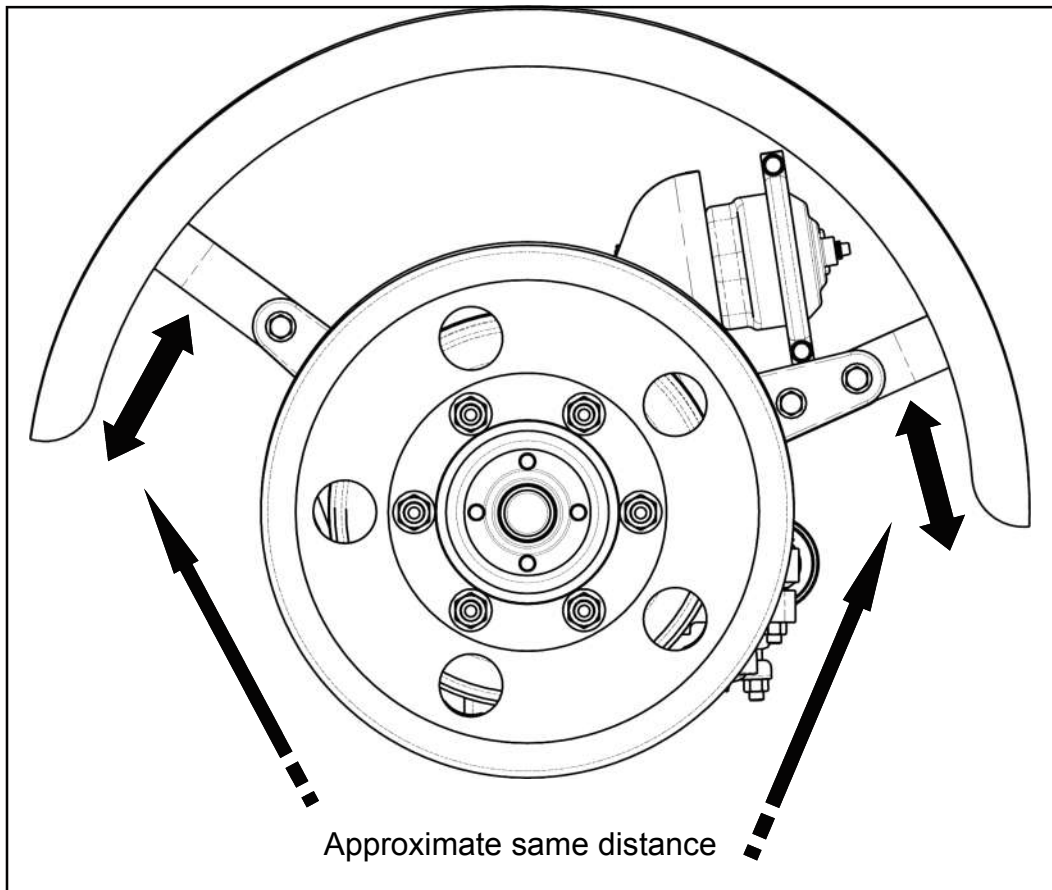
## Step 3.

Bolt the aluminum arms to the fender mounting brackets using the 1/2" x 1-3/4" flange head bolts and the 1/2" top lock flange nuts.



## Step 4.

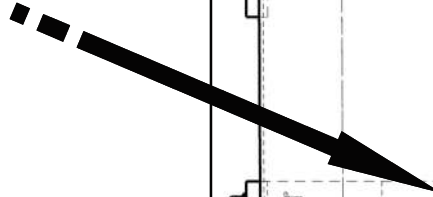
Place the fender on top of the aluminum arms. The ends should be approximately the same distance from the end of the fender to the aluminum arm. Make sure the fender is parallel to the side of the tire.



## Step 5.

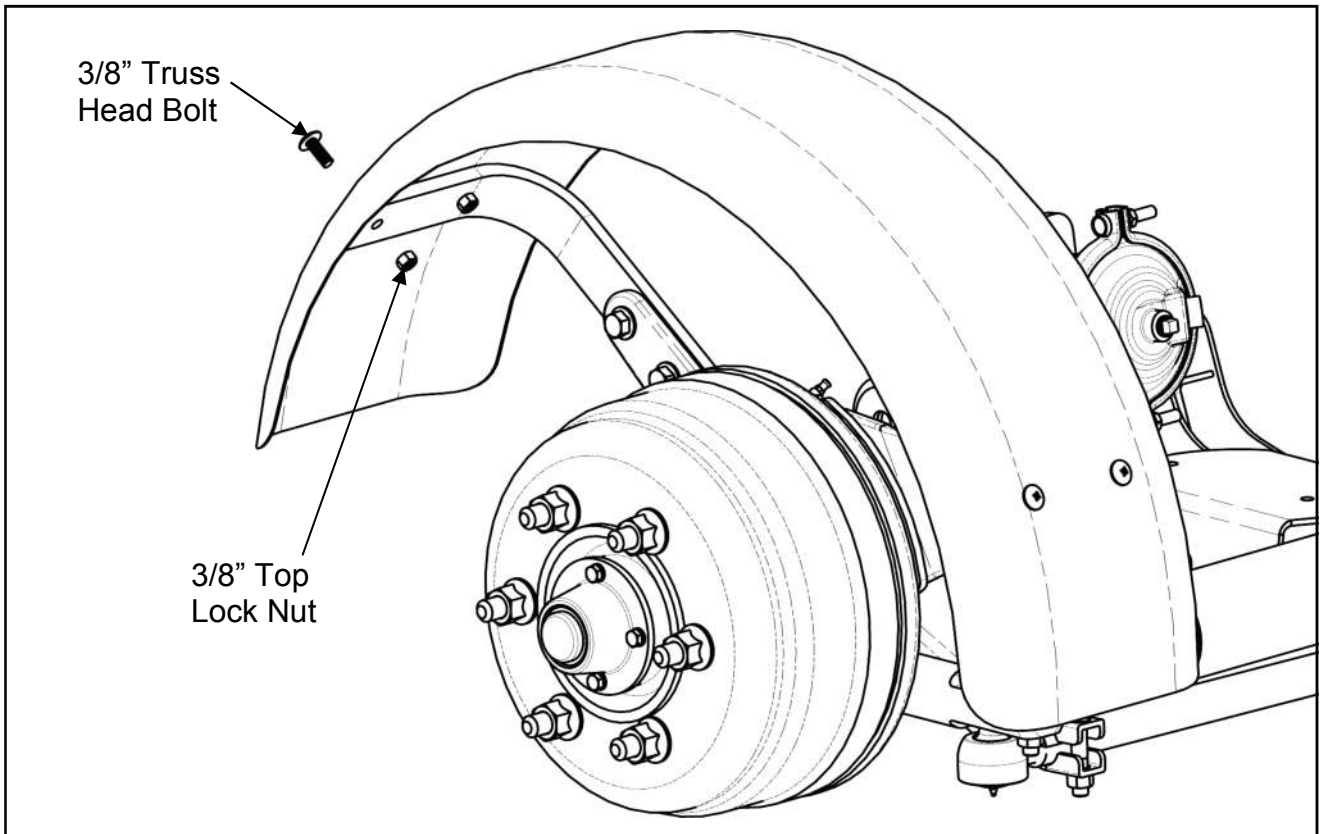
Drill two 13/32" diameter holes per aluminum arm. Drill through both the fender and the aluminum arm. Center the holes on the aluminum arm and space them as far apart as possible. Keep the two holes approximately centered on the fender yet still within the flat of the aluminum arm.

Drill two 13/32" diameter holes per aluminum arm.

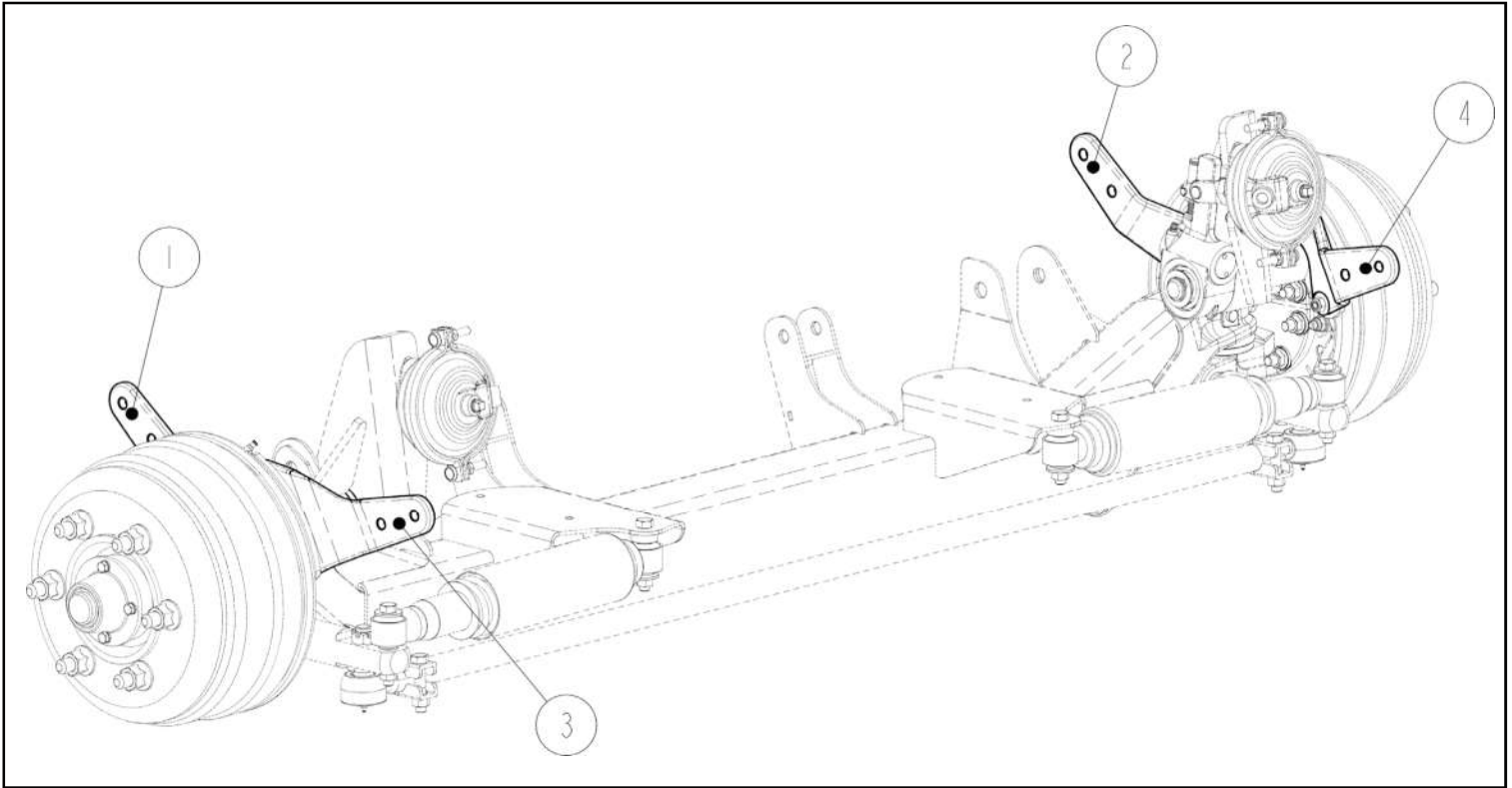


## Step 6.

Bolt the fenders to the aluminum arms using the 3/8" Truss Head Bolts and the 3/8" Top Lock Nuts.

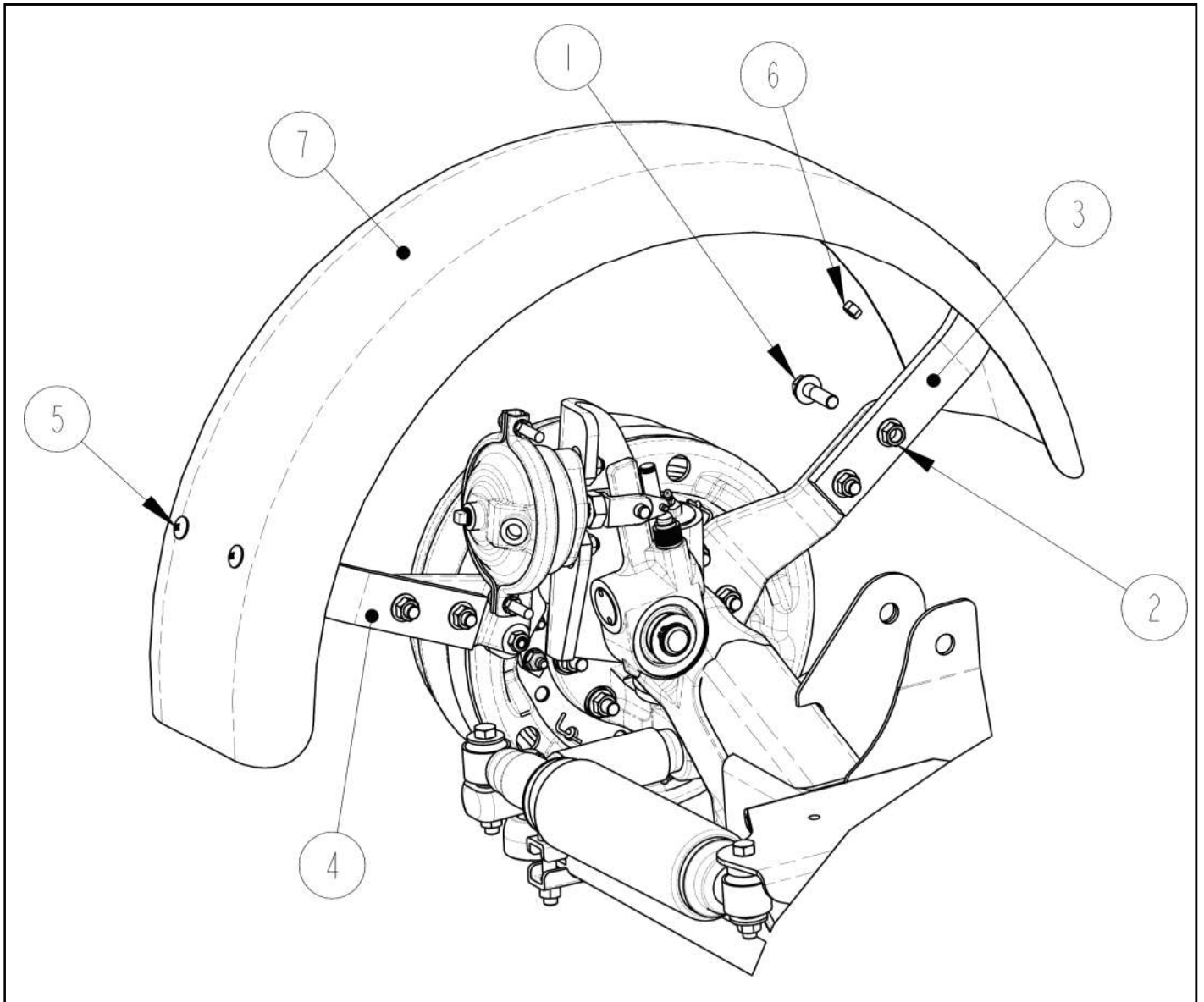


# 80002608 Integrated Fender Bracket Kit Parts List



ITEM	PART NUMBER	PART DESCRIPTION	QUANTITY
1	80002582	BRACKET-FENDER, LEFT FRONT (8K)	1
2	80002583	BRACKET-FENDER, RIGHT FRONT (8K)	1
3	80002584	BRACKET-FENDER, LEFT REAR (8K)	1
4	80002585	BRACKET-FENDER, RIGHT REAR (8K)	1
5	80002607	KIT-INSTALL, FENDER (8K) (Not Shown - See next page)	1

# 80002607 Integrated Fender Installation Kit Parts List



ITEM	PART #	DESCRIPTION	QTY
1	1411-1614	1/2 X 1 3/4 UNC FLANGE BOLT (GR. 8)	8
2	1480-1604	1/2 UNC TOP LOCK FLANGE NUT	8
3	80002586	ARM-ALUMINUM, 1/2" X 10"	2
4	80002587	ARM-ALUMINUM, 1/2" X 8-1/2"	2
5	80002588	3/8-16 X 1 UNC TRUSS HEAD PHILLIPS SCREW (Stainless Steel) (Comes in bolt kit 80002588)	8
6		3/8-16 UNC TOP LOCK NUT (Comes in bolt kit 80002588)	8
7	Not Included	FENDER (Call Link Mfg. for details on fender options)	-