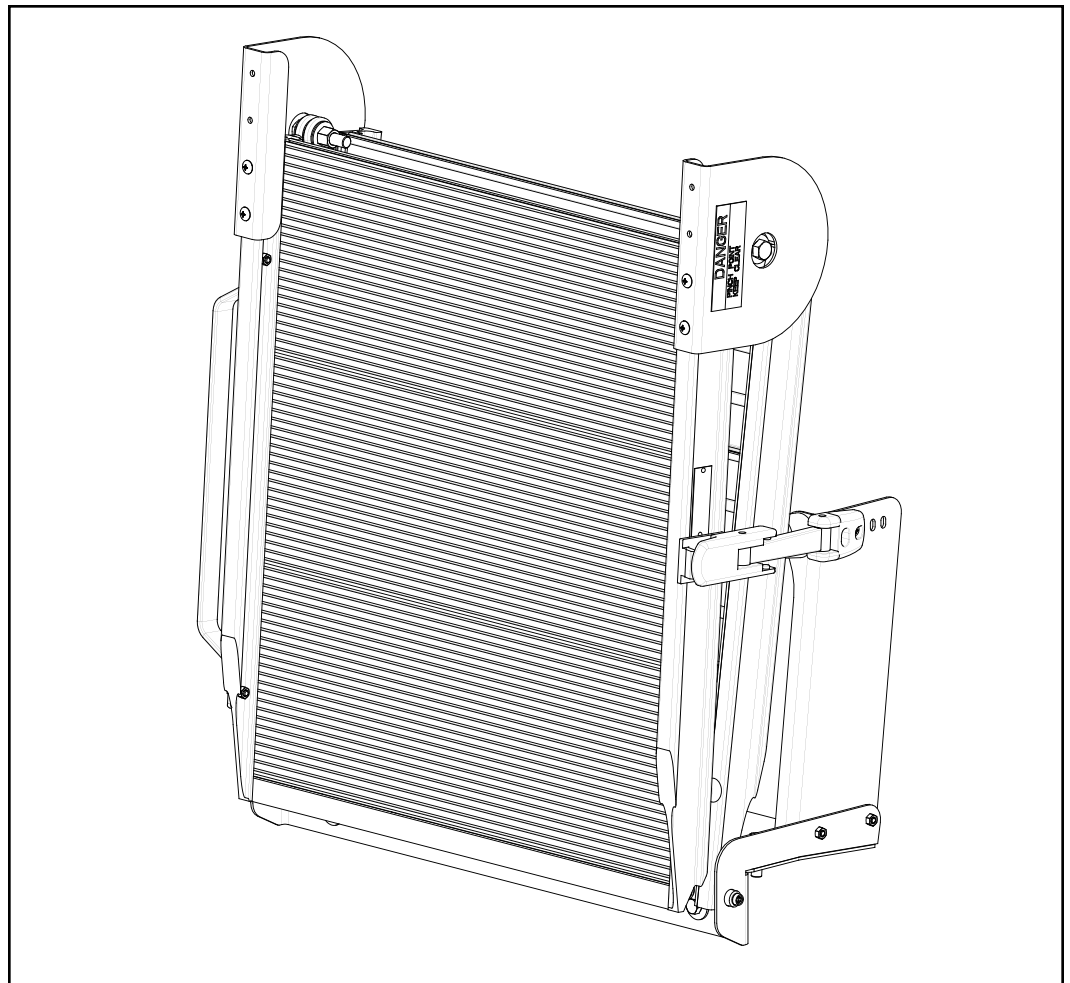




INSTALLATION INSTRUCTIONS

LB10 Series Ramps



Link Mfg. Ltd.
223 15th St. N.E.
Sioux Center, IA USA
51250-2120

(712) 722-4868
Fax (712) 722-4779

**QUESTIONS?
CALL CUSTOMER
SERVICE
1-800-248-3057
www.linkcmp.com**

The **Link LB10** fits most of the following vans: Ford Econoline, Ford Aerostar, Ford Transit, GMC Savana, Chevy Express, GMC Safari, Chevy Astro, Dodge Ram Cargo, Nissan NV Sprinter vans .

LINK® MODEL “LB10”

Review the **Parts List** on **Page 3** to become familiar with the different components of the **LB10**. Be sure all items were included before beginning assembly.

IMPORTANT: Installation of the **LB10** will vary depending on what type of vehicle you have and how you have it set up. Due to variables in different vehicles, the fit of the **LB10** should be evaluated before beginning installation.

- A.** The **LB10** Ramp is shipped partially assembled. Complete the assembly of the **LB10** before beginning installation (See **FIG. 2** on **Page 3** for assembly details.)
- B.** Before starting installation, place the **LB10** in position and check all clearance issues. Be sure there is adequate clearance between the **LB10** and the van components (doors, door opening, seat.) Remember: You will need access to both the ramp handle (Item #33) and the lever assisted latch (Item #6.) Typically **LB10** ramps are installed as far forward as possible.
- C.** Once positioned, mark the holes indicated for your van (see **Table A** below to identify which mount holes to use.) Set aside the ramp and the step mount plate (Item #37.) **Before drilling, verify hole location to be sure they are accessible and will not damage important van components. Check under van to ensure no damage will occur in that area.**
- D.** Drill holes.
- E.** Remove the ramp from the step mount plate (Item #37) and bolt the mount plate in place using the supplied fasteners (Item #'s 3, 12, & 22). (See **Page 3** for details)
- F.** Attach the ramp and confirm smooth operation and clearances.

Chevy Astro	-	use holes	-	B, D, F, H	Table A
GMC Safari	-	use holes	-	B, D, F, H	
Chevy Express	-	use holes	-	B, C, F, G	
GMC Savana	-	use holes	-	B, C, F, G	
Ford Aerostar	-	use holes	-	A, D, E, H	
Ford Econoline	-	use holes	-	A, D, E, H	
Dodge Ram	-	use holes	-	A, D, E, H	
Sprinter Van	-	use holes	-	A, D, E, H	
Nissan NV Van	-	use holes	-	A, D, E, H	
Ford Transit Van	-	use holes	-	A, D, E, H	

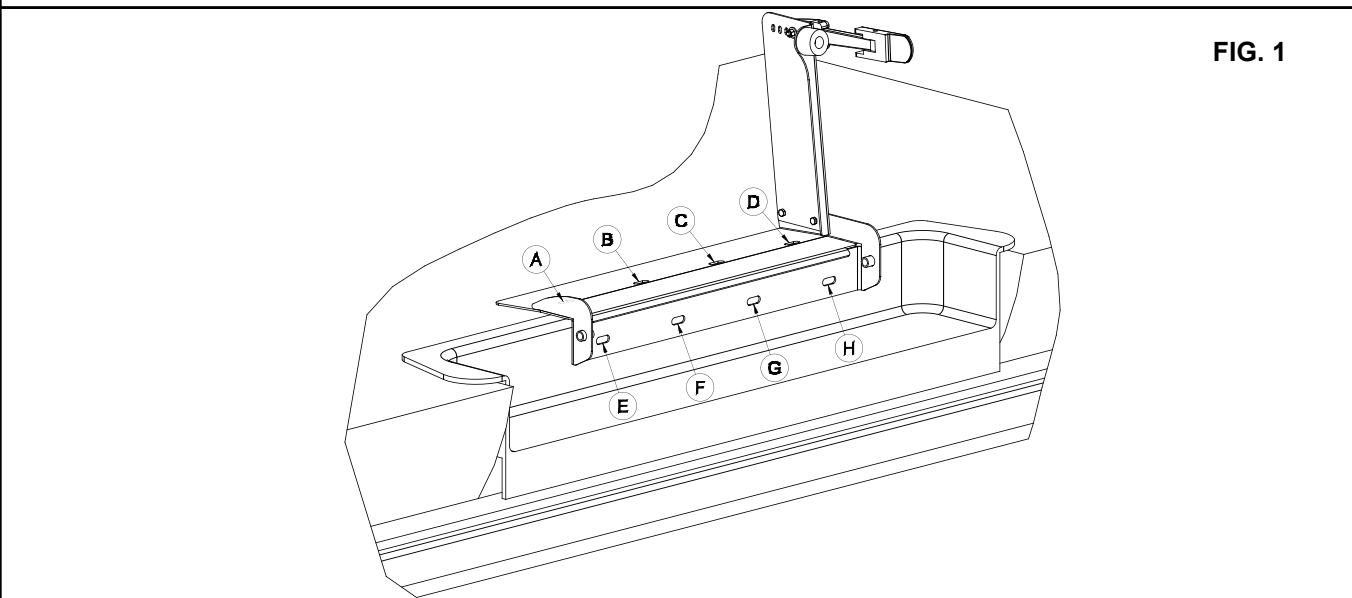
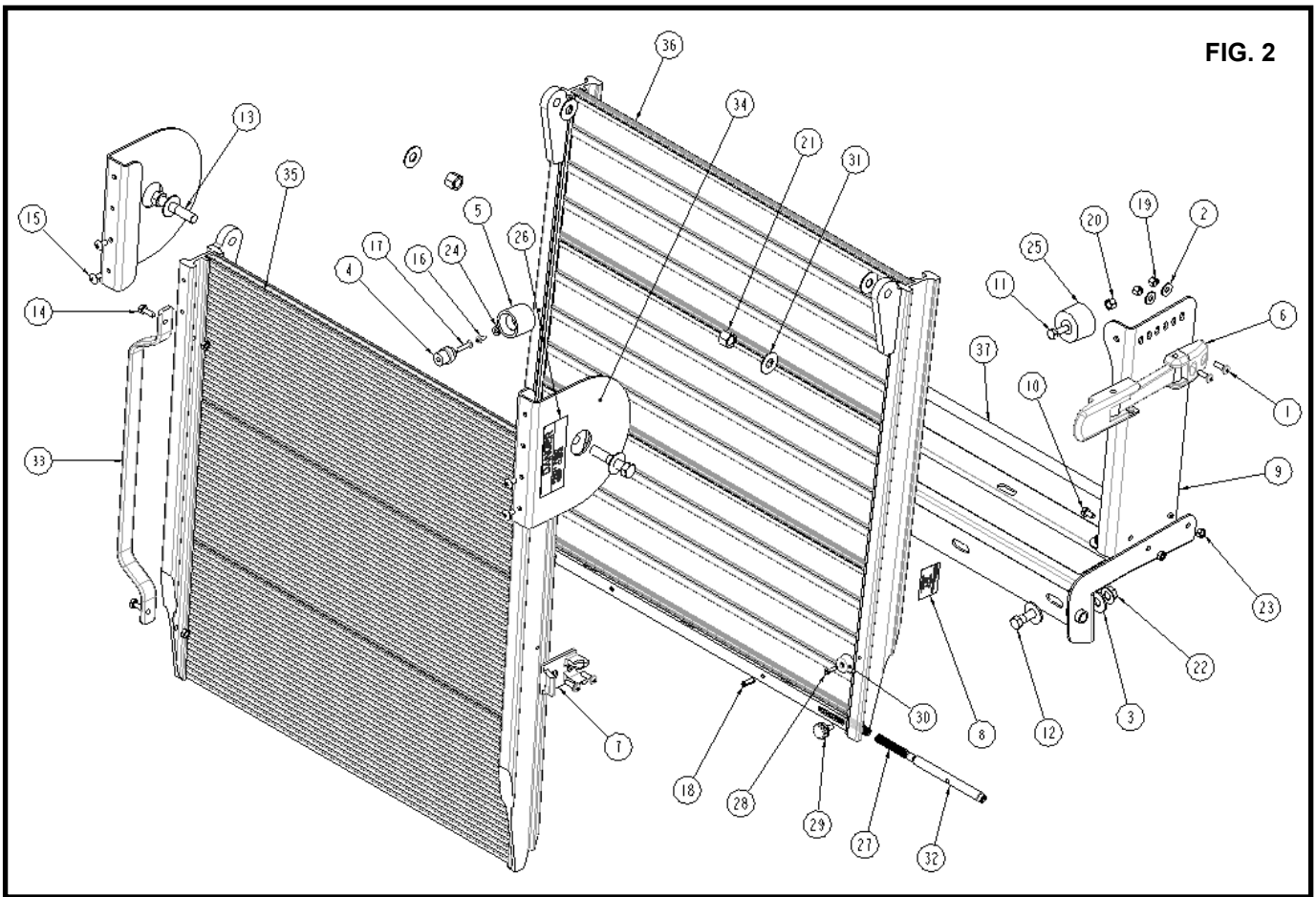


FIG. 1

FIG. 2



LINK® MODEL "LB10" PARTS LIST

ITEM	PART #	DESCRIPTION	QTY	ITEM	PART #	DESCRIPTION	QTY
1	14420806	1/4 X 3/4 UNC PAN HD PH MACH SCR, ZINC	4	20	1478-1000	5/16 UNC HEX NYLOCK NUT (GR B)	1
2	14870800	1/4 TYPE A PLAIN WASHER	2	21	1478-1600	1/2 UNC HEX NYLOCK NUT (GR B)	2
3	14871400	7/16 TYPE A PLAIN WASHER	8	22	1480-1400	7/16 UNC SERRATED FLANGE NUT	4
4	15000006	RAMP HOLDER, MALE END	1	23	1484-0810	1/4 UNC HEX CTR LOCK NUT, SS	4
5	15000007	RAMP HOLDER, FEMALE END	1	24	14880B00	#10 SAE PLAIN WASHER	1
6	15000913	AEROLATCH-LEVER ASSISTED (LATCH ONLY)	1	25	1500-0071	BUMPER-JOUNCE, 1.25	1
7	15000914	KEEPER-AEROLATCH	1	26	1500-1311	DECAL-PINCH POINT	2
8	15001380	LABEL-ID	1	27	1501-0001	COMPRESSION SPRING	4
9	78500012	BRACKET-MOUNT, BUMPER	1	28	1506-0041	#10 X 3/4 SS FLAT HD TYPE B TAP SCR	2
10	1401-0804	1/4 X 1/2 UNC HEX CAP SCR (GR 5)	2	29	1507-0209	PLASTIC FLUTED KNOB, 1/4-20 X 9/16	2
11	1401-1008	5/16 X 1 UNC HEX CAP SCR (GR 5)	1	30	1507-0403	RUBBER-BUMPER, 1.00 O.D. X .28	2
12	1401-1412	7/16 X 1 1/2 UNC HEX CAP SCR (GR 5)	4	31	1508-0112	WASHER-PLASTIC, .53 ID X 1.25 OD X.063 THK	6
13	1401-1620	1/2 X 2 1/2 UNC HEX CAP SCR (GR 5)	2	32	7000-0034	BOLT-HINGE ARM	2
14	1409-0806	1/4 X 3/4 UNC HEX CAP SCR, SS	2	33	7850-0004	HANDLE-LB10	1
15	144C-0804	1/4 X 1/2 UNC TRUSS HD PH MACH SCR, SS	4	34	7850-3005	GUARD-PINCH POINT	2
16	144J-0B04	10-24 X 1/2 UNC CR PH MACH SCREW, SS	1	35	**	DECK-LOWER	1
17	144J-0B08	10-24 X 1 UNC CR PH MACH SCREW, SS	1	36	**	DECK-UPPER	1
18	1450-0806	ROLL PIN, 1/4 X 3/4	2	37	**	PLATE-MOUNT, STEP	1
19	1478-0800	1/4 UNC HEX NYLOCK NUT (GR B)	2				

** CONTACT CUSTOMER SERVICE FOR CORCT PART NUMBER FOR YOUR RAMP.