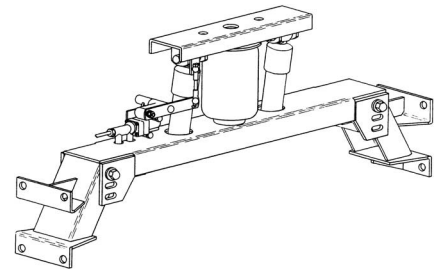
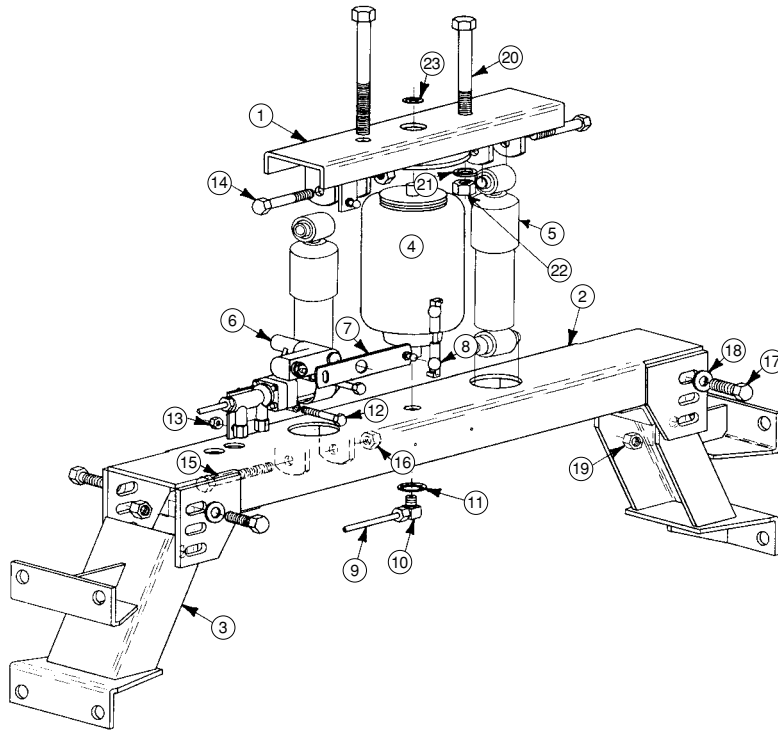


Cabmate



CABMATE MODEL
MCRS600
2620-0000 AFTERMARKET

FITS: Most Mack RS Model and Superliner conventional tractors. It replaces the original rear cab support Mack Part Nos:

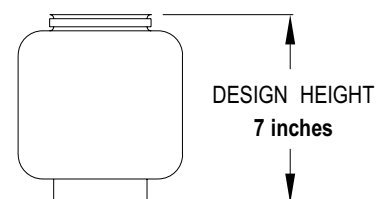
- 87QS39308 (one piece support)
- 30QS3247, 30QS39304, 30QS39305 (3-pc. support)
- 30QS3247, 30QS3236, 30QS3237 (3-pc. support)

Wt: 32 lbs. Wt. Added: 3 lbs.
 Installation Time: 3-4 hours

NOTES:

PARTS LIST

1	2620-1000	UNIT TOP	1
2	2620-2000	UNIT BOTTOM	1
3	2620-3000	MOUNT BRACKET	2
4	1101-A042	AIR SPRING	1
5	1201-0012	SHOCK ABSORBER	2
6	1301-0011	HEIGHT CONTROL VALVE	1
7	2990-0700	VALVE ARM	1
8	1500-0236	VALVE LINKAGE	1
9	1302-0090	1/4 AIR LINE	10.7'
10	1302-1105	MALE ELBOW	1
11	1500-0330	3/4 RETAINER RING	1
12	1401-0814	1/4 X 1 3/4 UNC BOLT	2
13	1476-0800	1/4 UNC LOCK NUT	2
14	1403-1418	7/16 X 2 1/4 UNF BOLT	2
15	1403-1424	7/16 X 3 UNF BOLT	2
16	1477-1400	7/16 UNF LOCK NUT	4
17	1401-1610	1/2 X 1 1/4 UNC BOLT	4
18	1487-1600	1/2 FLAT WASHER	4
19	1476-1600	1/2 UNC LOCK NUT	4
20	1401-2048	5/8 X 6 UNC BOLT	2
21	1485-2000	5/8 LOCK WASHER	2
22	1470-2000	5/8 UNC NUT	2
23	1500-0320	1/2 RETAINER RING	1
NS	1350-0000	PRESSURE PROTECTION KIT	1



ford

freightliner

gmc

international

kenworth

mack
marron

peterbilt

sterling

volvo
western star