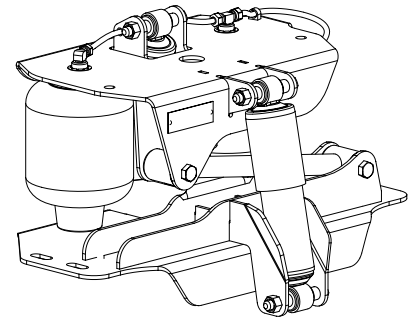
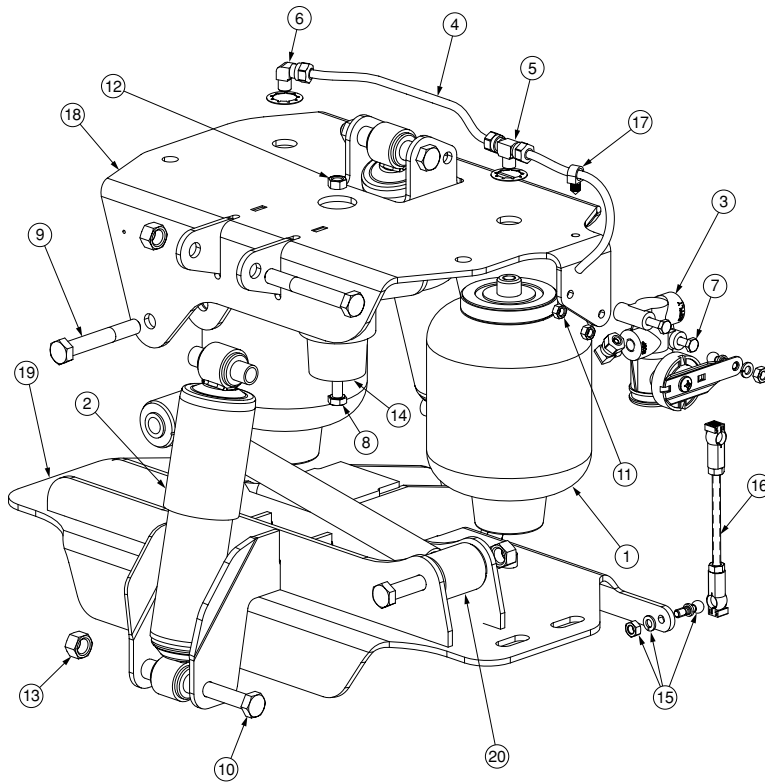


# Cabmate



CABMATE MODEL  
**IDC76**  
**2455-G001** FACTORY  
**3563057C94** INT'L PRT NO.

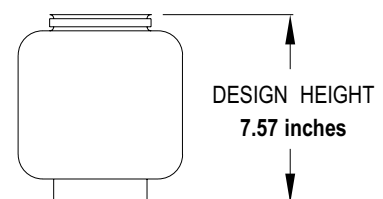
**FITS:** International 7600 Series trucks with day cab or extended cabs.

Wt: 38 lbs.

## NOTES:

## PARTS LIST

1	1101-A030	AIR SPRING WITH ATTACHMENTS	2
2	1201-9010	SHOCK ABSORBER	2
3	1350-0114	ASSEMBLY-HEIGHT CONTROL VALVE	1
4	1302-0090	AIRLINE-NYLON, .250 O.D., BULK	1
5	1302-4009	BRANCH TEE, 1/4 TB 1/8 M-NPT, DOT	1
6	1302-4035	ELBOW, 1/4 TB 1/8 M-NPT, DOT	2
7	1405-0609	HEX CAP SCREW, M6 X 1 X 45, CLASS 8.8	2
8	1405-0808	HEX CAP SCREW, M8 X 1.25 X 40, CLASS 8.8	1
9	1408-1216	HEX CAP SCREW, M12 X 1.25 X 80, CLASS 10.9	2
10	1408-1218	HEX CAP SCREW, M12 X 1.75 X 90, CLASS 10.9	4
11	1476-0607	HEX TOP LOCK NUT, M6 X 1, CLASS 8	2
12	1476-0807	HEX TOP LOCK NUT, M8 X 1.25, CLASS 8	1
13	1477-1207	HEX TOP LOCK NUT, M12 X 1.25, CLASS 10	6
14	1500-0070	BUMPER-JOUNCE, 1.75	1
15	2991-0026	KIT-PIVOT BALL	2
16	1500-0257	LINKAGE-VALVE, HEIGHT CONTROL (5.38)	1
17	1500-0302	CLIP-LATCHING	1
18	2455-1017	BRACKET-MOUNT, CAB	1
19	2455-1018	BRACKET-MOUNT, CROSSMEMBER	1
20	2993-4001	LATERAL CONTROL ROD	1



ford

freightliner

gmc

international

kenworth

mack  
marron

peterbilt

sterling

volvo  
western star