

Cabmate

ford

freightliner

gmc

international

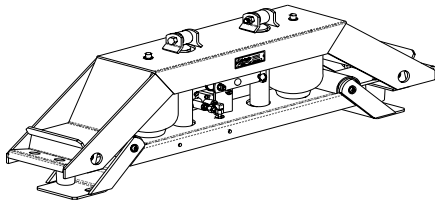
kenworth

mack
marmon

peterbilt

sterling

volvo
western star

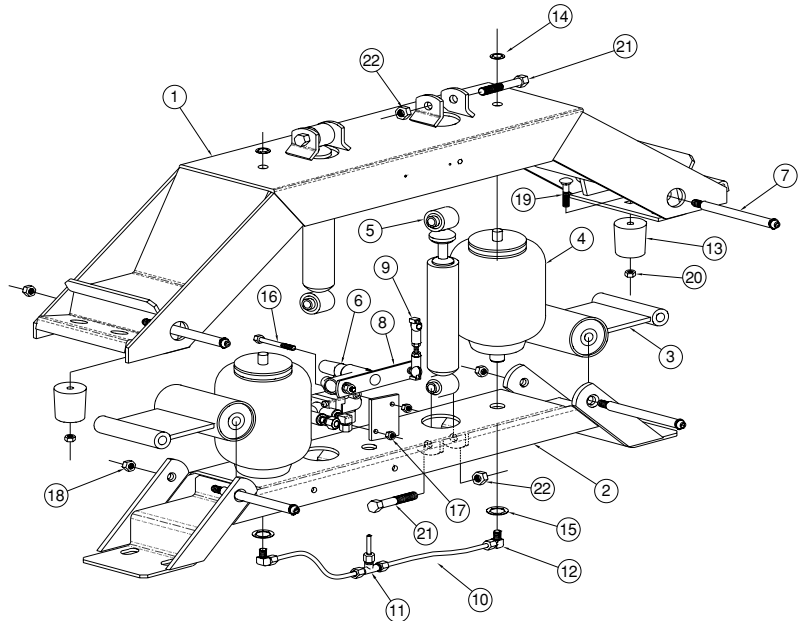
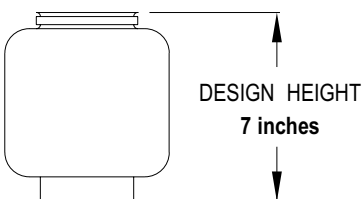


CABMATE MODEL
FRT285
2205-0000 AFTERMARKET

FITS: Fits most 1984 and newer model FLA Freightliner cabover tractors with 86", 96", or 104" cabs, **9 1/8" frame rails** and outboard exhaust systems. It replaces the stock rear cab mounts, Freightliner part no. 18-20933-1.

Wt: 58 lbs. Wt. Added: 47 lbs.
Installation Time: 3-4 hours

NOTES:



PARTS LIST

1	2205-1000	UNIT TOP1
2	2205-2000	UNIT BOTTOM1
3	2992-2002	HINGE ARM2
4	1102-A043	AIR SPRING2
5	1202-0032	SHOCK ABSORBER2
6	1301-0025	HEIGHT CONTROL VALVE1
7	2990-0501	HINGE ARM BOLT ASSEMBLY4
8	2990-0700	VALVE ARM1
9	1500-0236	VALVE LINKAGE1
10	1302-0090	0.250 AIRLINE1.3'
11	1302-1083	UNION TEE1
12	1302-1105	MALE ELBOW2
13	1500-0070	RUBBER BUMPER2
14	1500-0320	1/2 RETAINER RING2
15	1500-0330	3/4 RETAINER RING2
16	1401-0816	1/4 X 2 UNC BOLT2
17	1476-0800	1/4 UNC LOCK NUT2
18	1476-1201	3/8 UNC TOP LOCK NUT4
19	1435-1012	5/16 X 1 1/2 UNC CARRIAGE BOLT2
20	1476-1000	5/16 UNC LOCK NUT2
21	1403-1418	7/16 X 2 1/4 UNF BOLT4
22	1477-1400	7/16 UNF LOCK NUT4
NS	1350-0000	PRESSURE PROTECTION KIT1