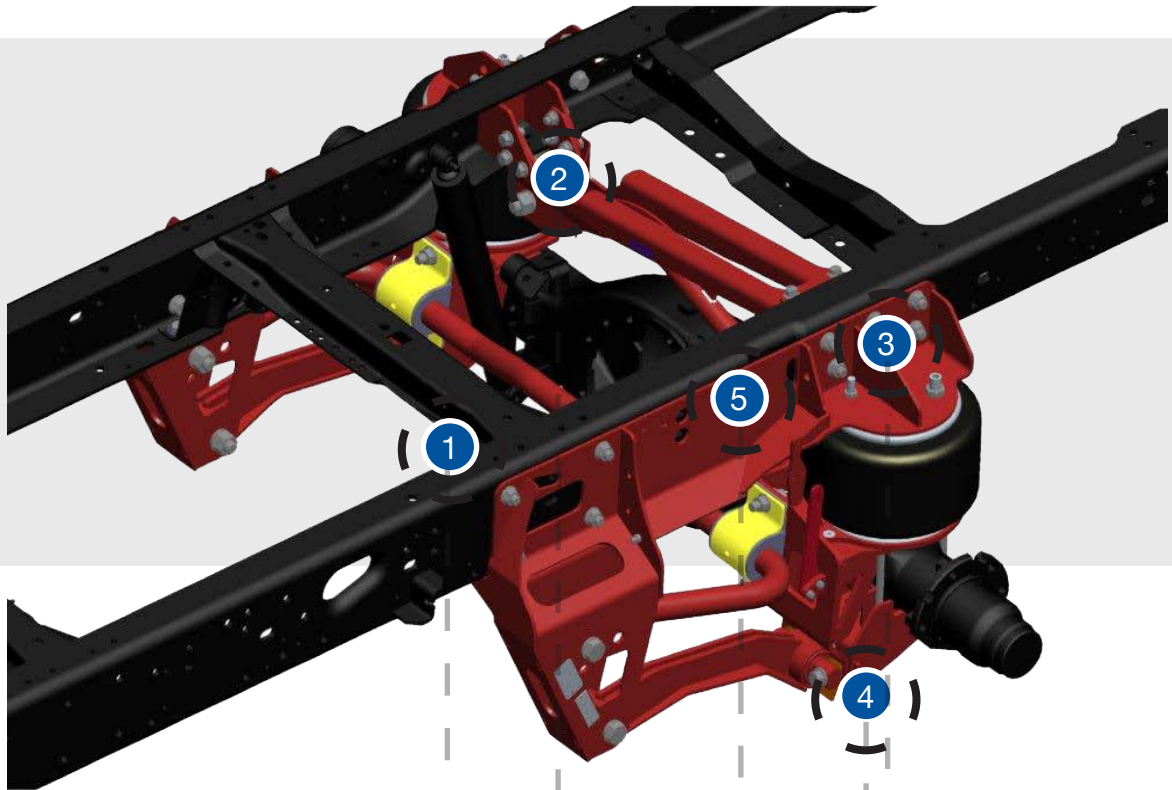


Ford F450/550 Chassis Cab

(8M000097)

Compatible with either Severe Duty
Electronic Air Kit or Link's Commercial Duty Mechanical Air Kit.



- 1 Existing Frame Holes
- 2 Additional Crossmember
- 3 Frame Mount & Air Spring Bracket
- 4 LCR Shims & Lower Control Arm Shims
- 5 Modular HC Mount

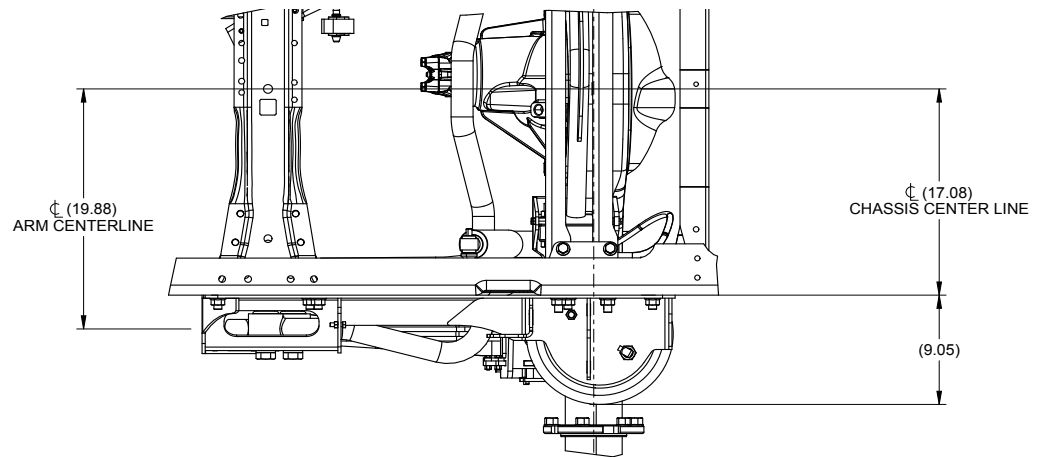
SUSPENSION INCLUDES
Basic Unit
Integrated 1 3/4" Stabilizer Bar
Custom Tuned UltraRide Shocks

FEATURE	BENEFIT
Existing Frame Holes	Reduces Install Time
Additional Crossmember	Reduces Frame Stress
Modular Height Control Mount	Allows for Choice of Mechanical or Electronic Air System
Lateral Control Rod Shims & Lower Control Arm	Shims for Proper Axle Alignment
One Piece Frame Mount & Air Spring Bracket	Reduces Stress for a Long Service Lift

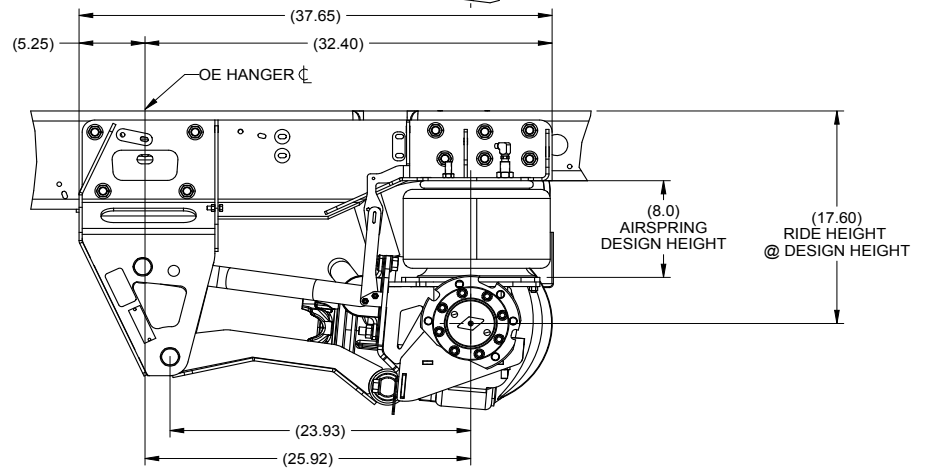
SUSPENSION SPECIFICATIONS

MODEL	Ford F450/550 Chassis Cab
YEAR	2005 - Newer
RIDE HEIGHT	17.6"
AIR SPRING DESIGN HEIGHT	8.0"
AXLE TRAVEL	3.10" Jounce (B/C) 3.71" Jounce (M/M) 3.10" Rebound (M/M)
LINK PART NUMBER	8M000097
STYLE	Parallelogram
WEIGHT	375 LBS
CAPACITY	12,000 LBS & 13,600 LBS

TOP VIEW



SIDE VIEW



INSTALLATION NOTES

Exhaust hanger may need to be modified slightly in case the exhaust is closer than 1" away from the suspension exhaust shield.

Minor relocation of brake cable.

Drill frame holes for frame hanger mount plates.