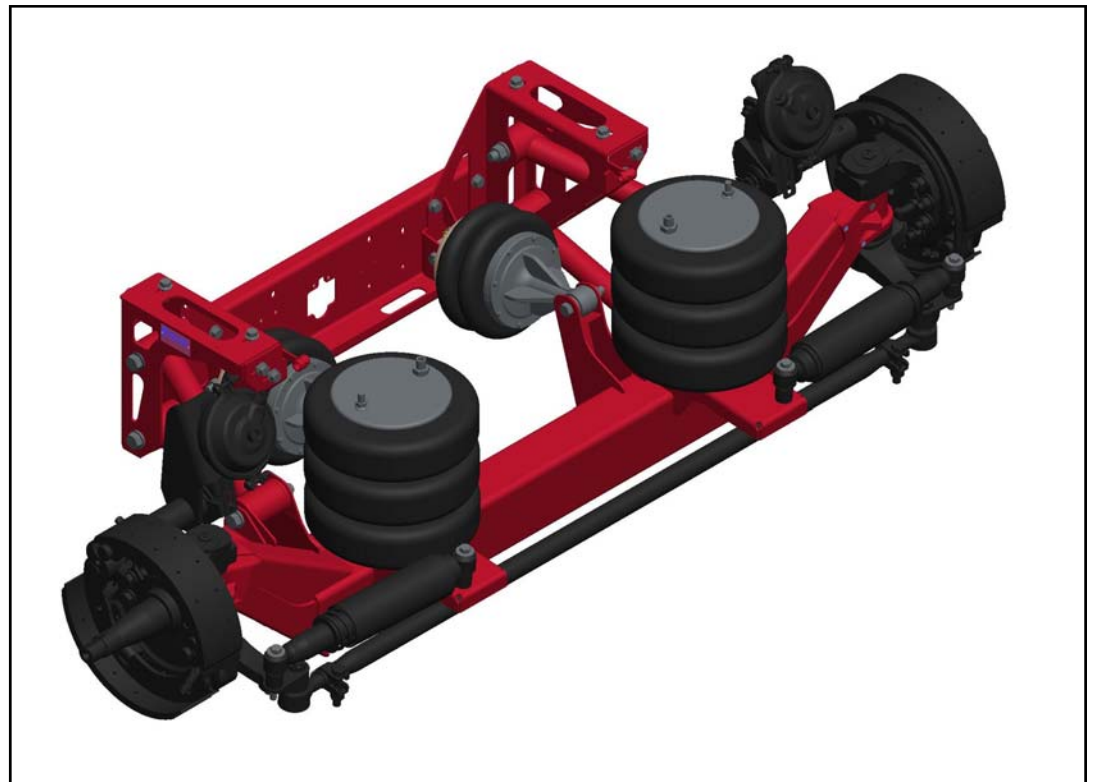




INSTALLATION INSTRUCTIONS

8A000715 DURALIFT II
13,200 LB. CAPACITY



*Link Mfg. Ltd.
223 15th St. N.E.
Sioux Center, IA USA
51250-2120
www.linkmfg.com*

**QUESTIONS?
CALL CUSTOMER
SERVICE
1-800-222-6283**

Refer to separate Owner's Manual for details regarding operation and maintenance.

80002205
JUNE 16, 2011

IMPORTANT: IT IS IMPORTANT THAT THE ENTIRE INSTALLATION INSTRUCTIONS BE READ THOROUGHLY BEFORE PROCEEDING WITH SUSPENSION INSTALLATION.




1. INTRODUCTION


Thank you for choosing a Link Duralift II liftable suspension. We want to help you to get the best results from the suspension and to operate it safely. This manual contains information to introduce you to the Link Duralift II liftable suspension and to assist you with its installation and maintenance. The manual is intended solely for use with this product.

All information in this manual is based on the latest information available at the time of printing. Link Manufacturing reserves the right to change its products or manuals at any time without notice. Contact Link at (800) 222-6283 for information on recent changes to products.

Damaged components should be returned to Link with a pre-arranged Returned Goods Authorization (RGA) number through the Customer Service Department. The damaged component may then be replaced if in compliance with warranty conditions.

2. SAFETY SYMBOLS, TORQUE SYMBOL, and NOTES

	<p>This is the safety alert symbol. It is used to alert you to potential personal injury hazards. Obey all safety messages that follow this symbol to avoid possible injury or death.</p>
	<p>WARNING indicates a potentially hazardous situation which, if not avoided, could result in death or serious injury.</p>
	<p>CAUTION indicates a potentially hazardous situation which, if not avoided, could result in minor or moderate injury.</p>
<p>CAUTION</p>	<p>CAUTION used without the safety alert symbol indicates a potentially hazardous situation which, if not avoided, may result in property damage.</p>

	<p>The torque symbol alerts you to tighten fasteners to a specified torque value.</p>
<p>NOTE:</p>	<p>A Note provides information or suggestions that help you correctly perform a task.</p>

3. SAFE WORKING PRACTICES:

3.1 CAUTION

When handling parts, wear appropriate gloves, eyeglasses, ear protection, and other safety equipment.

3.2 CAUTION

Practice safe lifting procedures. Consider size, shape, and weight of assemblies. Obtain help or the assistance of a crane when lifting heavy assemblies. Make certain the path of travel is clear.

4. INSTALLATION GUIDELINES

4.1 In order for this suspension to operate properly, it must operate in the parameters specified by Link.

4.2 The installer must verify the vehicle is configured properly for the lift axle(s) being added.

4.3 It is the responsibility of the installer to determine the location of the suspension in order to obtain proper load distribution.

4.4 Suspension Identification: Each assembly has an identification tag located on the hanger of the suspension on the drivers side of the vehicle. The plate includes the Link part number for the axle and the wheel end kit, and the suspension serial number.

4.5 No alterations of any Link suspension component is permitted without proper authorization from qualified Link personnel.

4.6 No welding of any suspension components is permitted except when specified by Link.

4.7 CAUTION The vehicle manufacturer should be consulted before any modifications are made to the frame of the vehicle. Cutting or altering the frame in certain areas may affect the manufacturer's warranty.

4.8 WARNING

It is the responsibility of the installer to ensure that compliance with FMVSS 121 is maintained by the braking system.

4.9 WARNING

Proper tightening of fasteners is important to the performance and safety of the suspension. Follow all torque specifications throughout the instructions.

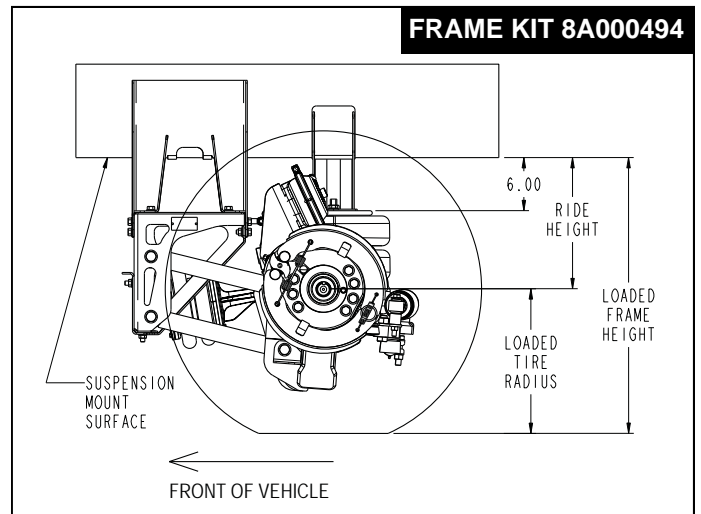
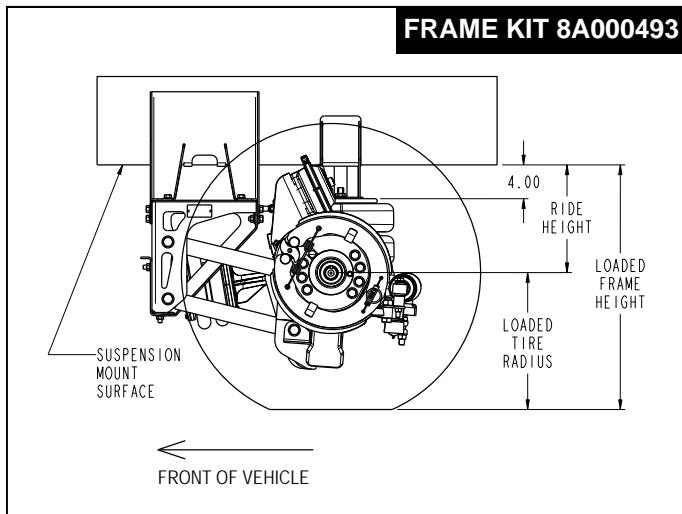
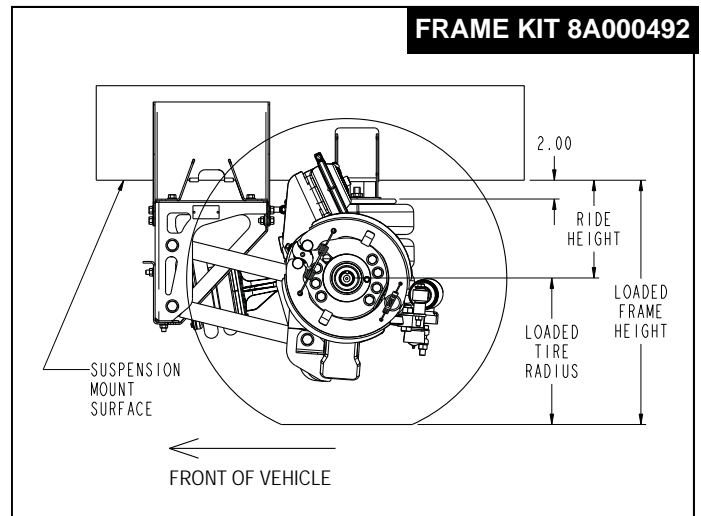
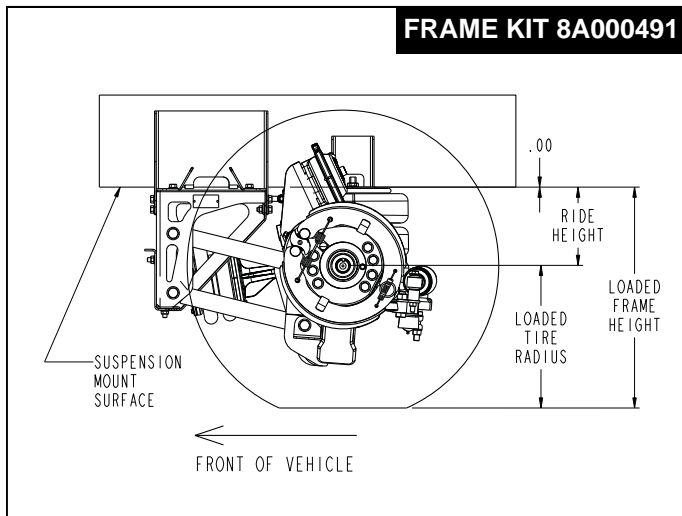
5. PRE-INSTALLATION CHECKLIST

- Verify that the axle spacing to be used conforms to Federal and local bridge laws.
- Verify that the frame width matches the suspension specifications (33.50" to 35.00").
- Verify that adequate air supply exists to support braking requirements for the lift axle being installed.
- Verify clearance between the drive shaft and the liftable suspension, with the axle lifted and lowered.
- Verify tire clearance in all directions, with the axle lifted and lowered.
- Verify air spring clearance in all directions, with the axle lifted and lowered.

- Verify suspension clearance with truck components, with the axle lifted and lowered.

6. FRAME BRACKET KITS:

There are 4 frame bracket kits available to allow for a wide range of ride heights. See charts on Page 4 for details.



7. RIDE HEIGHT AND FRAME ACCOMMODATIONS FOR 13.2K SUSPENSION (8A000715)

7.1 CAUTION In order for the suspension to function properly, the "ride height" of the suspension must be within the range specified by Link Mfg. See the charts below for more information on available lift.

7.2 Four ride heights exist for this suspension; 8.00" to 10.50", 10.00" to 12.50", 12.00" to 14.50" and 14.00" to 16.50".

7.3 To determine the appropriate Frame Mount Kit and chart, use the formula below.

$$\text{Loaded Frame Height} - \text{Loaded Tire Radius} = \text{Ride Height}$$

7.4 With the correct chart, the amount of lift can be found by intersecting the Loaded Tire Radius with the Loaded Frame Height.

NOTE: When measuring frame to ground clearance, be sure to measure with vehicle loaded, at intended suspension location and on level ground.

DURALIFT II LIFT CHART	13.2K RIDE HEIGHT 8.0" - 10.5" (FRAME MOUNT KIT 8A000491)																	
LOADED FRAME HEIGHT	23.0	23.5	24.0	24.5	25.0	25.5	26.0	26.5	27.0	27.5	28.0	28.5	29.0	29.5	30.0	30.5	31.0	31.5
TIRE RADIUS																		
15 (LOADED)	7.0	7.5	8.0	8.5	9.0	9.5												
16 (LOADED)			7.0	7.5	8.0	8.5	9.0	9.5										
17 (LOADED)					7.0	7.5	8.0	8.5	9.0	9.5								
18 (LOADED)							7.0	7.5	8.0	8.5	9.0	9.5						
19 (LOADED)									7.0	7.5	8.0	8.5	9.0	9.5				
20 (LOADED)											7.0	7.5	8.0	8.5	9.0	9.5		
21 (LOADED)													7.0	7.5	8.0	8.5	9.0	9.5

DURALIFT II LIFT CHART	13.2K RIDE HEIGHT 10.0" - 12.5" (FRAME MOUNT KIT 8A000492)																	
LOADED FRAME HEIGHT	25.0	25.5	26.0	26.5	27.0	27.5	28.0	28.5	29.0	29.5	30.0	30.5	31.0	31.5	32.0	32.5	33.0	33.5
TIRE RADIUS																		
15 (LOADED)	7.0	7.5	8.0	8.5	9.0	9.5												
16 (LOADED)			7.0	7.5	8.0	8.5	9.0	9.5										
17 (LOADED)					7.0	7.5	8.0	8.5	9.0	9.5								
18 (LOADED)							7.0	7.5	8.0	8.5	9.0	9.5						
19 (LOADED)									7.0	7.5	8.0	8.5	9.0	9.5				
20 (LOADED)											7.0	7.5	8.0	8.5	9.0	9.5		
21 (LOADED)													7.0	7.5	8.0	8.5	9.0	9.5

DURALIFT II LIFT CHART	13.2K RIDE HEIGHT 12.0" - 14.5" (FRAME MOUNT KIT 8A000493)																	
LOADED FRAME HEIGHT	27.0	27.5	28.0	28.5	29.0	29.5	30.0	30.5	31.0	31.5	32.0	32.5	33.0	33.5	34.0	34.5	35.0	35.5
TIRE RADIUS																		
15 (LOADED)	7.0	7.5	8.0	8.5	9.0	9.5												
16 (LOADED)			7.0	7.5	8.0	8.5	9.0	9.5										
17 (LOADED)					7.0	7.5	8.0	8.5	9.0	9.5								
18 (LOADED)							7.0	7.5	8.0	8.5	9.0	9.5						
19 (LOADED)									7.0	7.5	8.0	8.5	9.0	9.5				
20 (LOADED)											7.0	7.5	8.0	8.5	9.0	9.5		
21 (LOADED)													7.0	7.5	8.0	8.5	9.0	9.5

DURALIFT II LIFT CHART	13.2K RIDE HEIGHT 14.0" - 16.5" (FRAME MOUNT KIT 8A000494)																	
LOADED FRAME HEIGHT	29.0	29.5	30.0	30.5	31.0	31.5	32.0	32.5	33.0	33.5	34.0	34.5	35.0	35.5	36.0	36.5	37.0	37.5
TIRE RADIUS																		
15 (LOADED)	7.0	7.5	8.0	8.5	9.0	9.5												
16 (LOADED)			7.0	7.5	8.0	8.5	9.0	9.5										
17 (LOADED)					7.0	7.5	8.0	8.5	9.0	9.5								
18 (LOADED)							7.0	7.5	8.0	8.5	9.0	9.5						
19 (LOADED)									7.0	7.5	8.0	8.5	9.0	9.5				
20 (LOADED)											7.0	7.5	8.0	8.5	9.0	9.5		
21 (LOADED)													7.0	7.5	8.0	8.5	9.0	9.5

8. SUSPENSION LOCATION

8.1 Before determining the suspension location, thoroughly review the pre-installation checklist found in Section 5 of this manual. Be sure that the vehicle is located on a flat and level surface before measuring for suspension location. When this is complete, mark the suspension location and boundaries on the truck frame rails. (See **Fig. 1** & **Fig. 2** below for details).

8.2 Prior to suspension installation, any interference with existing frame bolts or brackets should be addressed. If any modification to the auxiliary suspension is needed, you should consult Link.

NOTE: Truck frame cross-members should be located at or near the front frame brackets.

9. SUSPENSION INSTALLATION

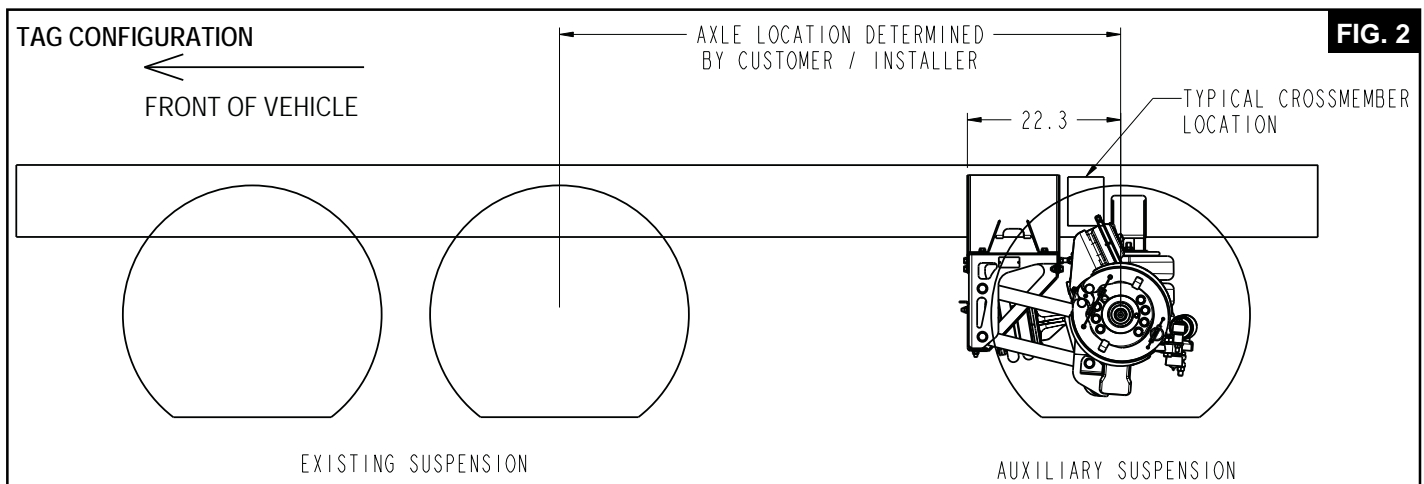
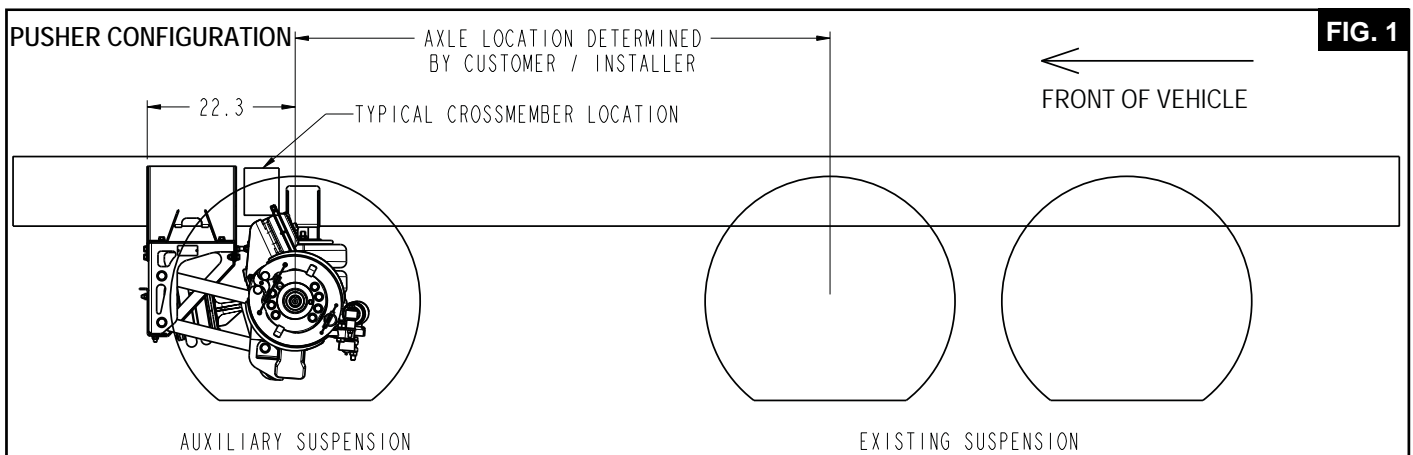
9.1 With suspension location determined, clamp the front and rear frame brackets to the truck frame rails.

CAUTION The mounting surfaces of the auxiliary suspension must be tight against the sides and bottom of the truck frame rails.

9.2 Double check the suspension location and check for any interference concerns. Also, check that drilling will not interfere with any brake or fuel lines, wiring or other components that might be located on the inside of the frame.

9.3 Once the frame brackets are clamped tightly to the outside and bottom surfaces of the truck frame, check all clearance issues and then center punch all mount holes. (See **Fig. 3** for recommended mount hole location.)

9.4 With mount holes marked, drill 21/32" diameter holes at hole locations.



9.5 Fasten frame brackets to the frame rail with SAE 5/8" UNC GRADE 8 HEX FLANGE BOLTS and 5/8" GRADE G PREVAILING TORQUE HEX FLANGE NUTS (not supplied, available with optional installation kit 800A0014).



TORQUE to 160-180 FT-LBS.

9.6 Assemble the suspension to the front frame brackets using the provided mounting hardware (See Fig. 4 for fastener detail)

NOTE: Center the suspension on the truck with the frame width adjustment slots.



TORQUE to 90-120 FT-LBS.

9.7 Assemble the air springs to rear frame brackets using the 1/2" and 3/4" mounting hardware (See Fig. 4 for fastener detail).



TORQUE the 1/2" nut to 20-30 FT-LBS.



TORQUE the 3/4" nut to 45-50 FT-LBS.

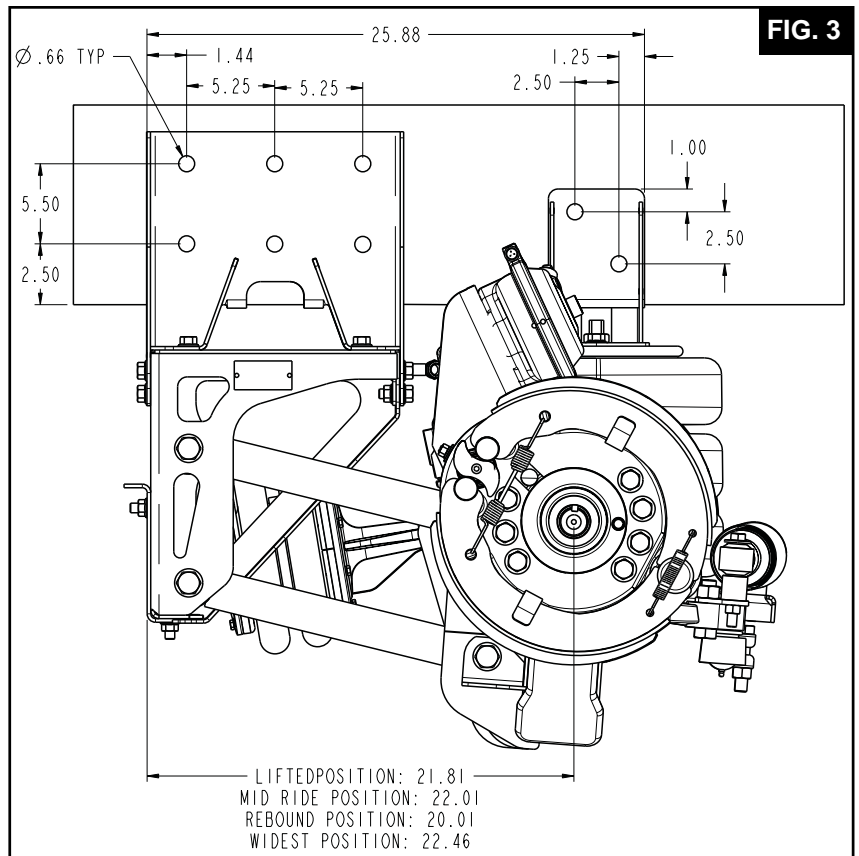


FIG. 3

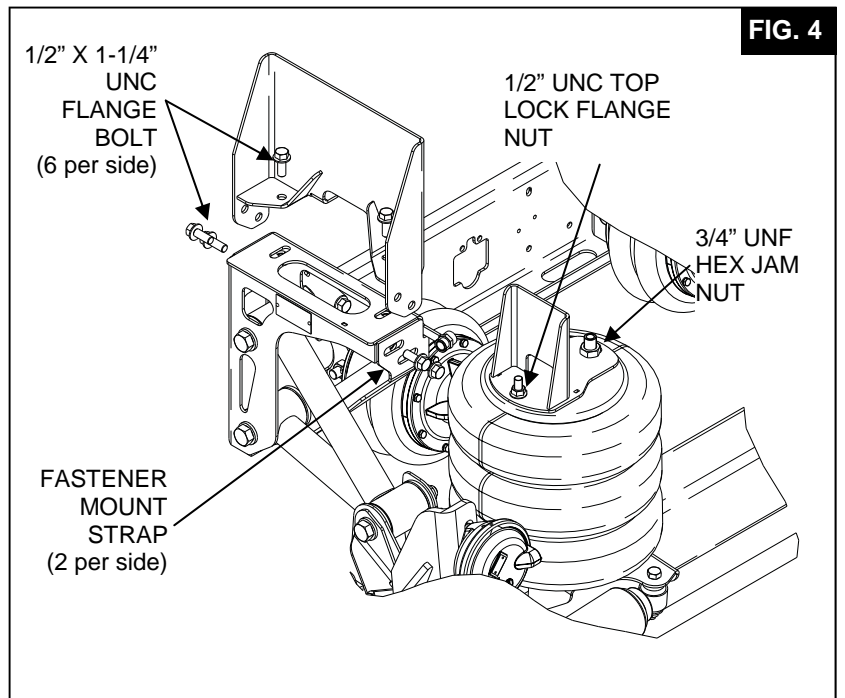
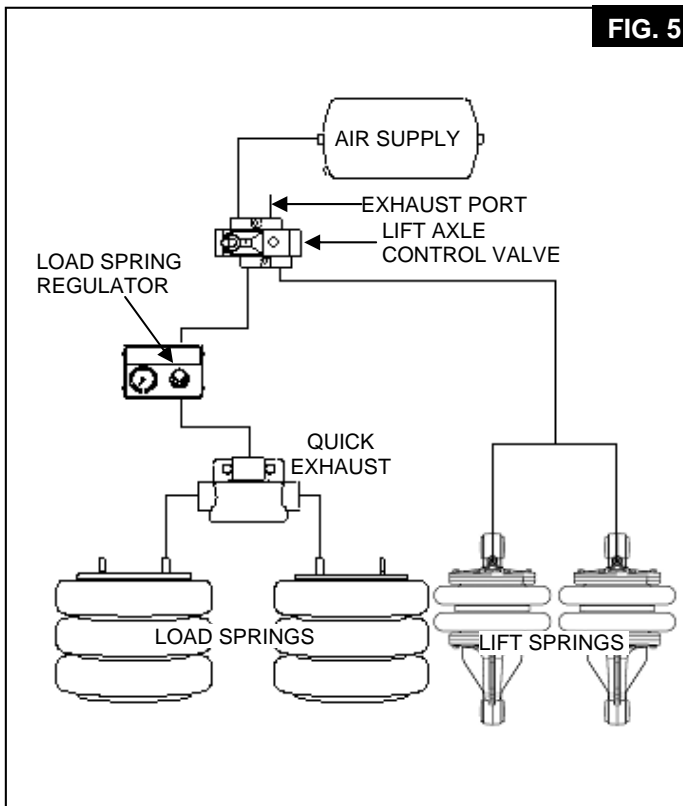


FIG. 4

10. SPECIAL PLUMBING INSTRUCTIONS

10.1 Connect the control box to the quick release valve used on the load springs. See **Fig. 5** for details.

Contact Link for available integrated air control options.

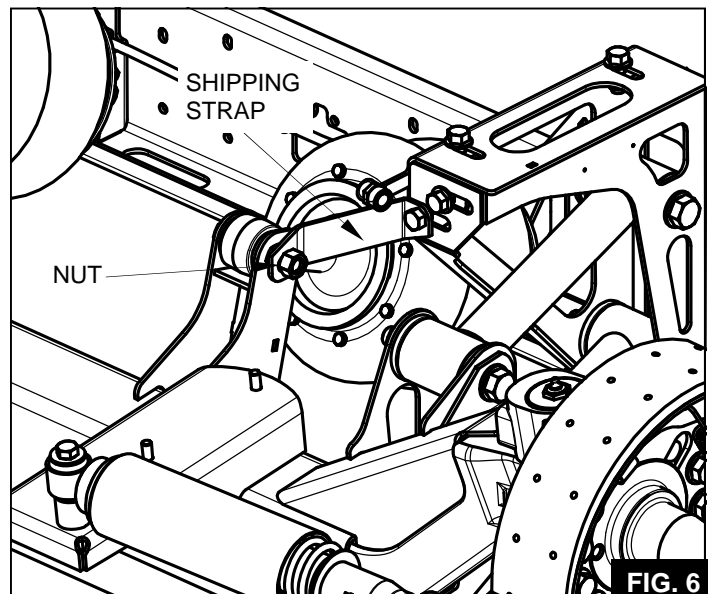


11. FINAL ASSEMBLY AND INSPECTION CHECK-LIST

- Are both shipping straps and extra nuts removed? (see **Fig.6**)
- Are all fasteners installed and bolts tightened to proper torque specifications? **NOTE:** All fasteners torque specifications are given for dry fasteners with no additional lubrication required.
- Are all wheel lug nuts tightened to recommended torque specifications?
- Is air control installation complete and checked for leaks and proper operation?
- Has the suspension been raised and lowered, and inspected for any interference between the auxiliary suspension and any truck components?
- Are brakes and slack adjusters properly set, and the wheels free to rotate?
- Are wheel hubs sufficiently filled with the manufacturer's specified lubricant? (SAE 80W-90 Mineral based or SAE 75W-80 Synthetic Gear Lube)?
- Is the TOE-IN set properly ($1/8 \pm 1/16$ measured at the tire centers)?
- Verify the steering knuckles come into contact with the stop bolts before the tires interfere with any other truck components?

CAUTION: With the vehicle unloaded, the auxiliary axle's ride springs must be limited to a maximum of 20 psi to avoid improper weight distribution or component damage.

Refer to separate Owner's Manual for details regarding operation and maintenance.





LINK MANUFACTURING, LTD.
223 15TH ST. NE
SIOUX CENTER, IA 51250
1-800-222-6283
www.linkmfg.com