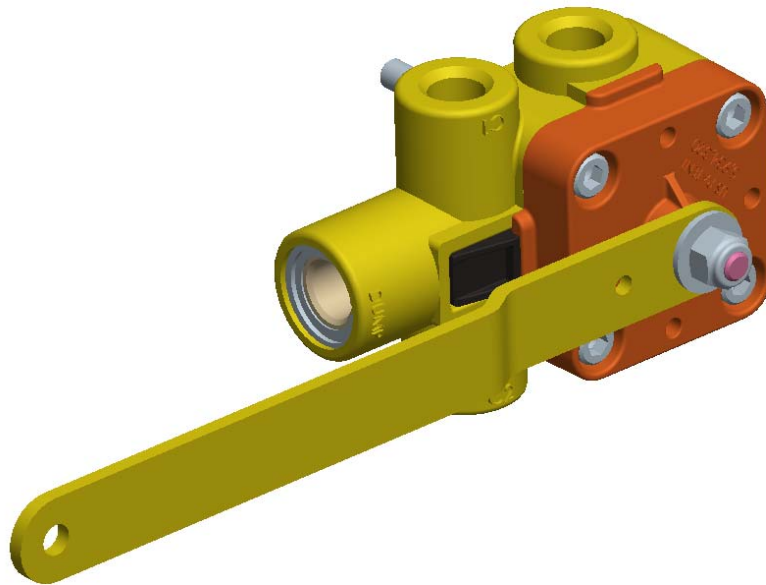


# Manual Addendum



## ULTRARIDE<sup>®</sup> Manual Addendum For BARKSDALE Height Control Valves

This document contains important information on changes to the UltraRide Suspension system not yet reflected in the Installation Instructions.



# 1.INTRODUCTION

## **CHANGES TO THE ULTRARIDE AIR SUSPENSION SYSTEM**

- This UltraRide® unit is equipped with a new Barksdale height control valve in place of the Haldex height control valve used on earlier UltraRide® suspensions. This valve offers improved performance and reliability in many demanding UltraRide® applications.
- Please refer to the following figures for instructions on the plumbing and mounting of this new height control valve.

**IMPORTANT!** It is important that Lever assembly and orientation to the Height Control Valve be followed to ensure correct operation of Link® UltraRide® suspension.

## **PRODUCT INSTALLER RESPONSIBILITIES**

- Installer is responsible for installing the product in accordance with Link Mfg. specifications and installation instructions.
- Installer is responsible for providing proper vehicle components and attachments as well as required or necessary clearance for suspension components, axles, wheels, tires, and other vehicle components to ensure a safe and sound installation and operation.
- Installer is responsible for advising the owner of proper use, service and maintenance required by the product and for supplying maintenance and other instruction as readily available from Link Mfg.

## **INSTALLATION NOTES:**

- Proper tightening of fasteners is required for proper operation. Need for proper Torque value is indicated by wrench symbol and values will be found in Torque table below. Failure to maintain proper torque may cause component failure resulting in accident or injury.



TORQUE TABLE		
LOCATION	FASTENER	TORQUE
VALVE MOUNTING	1/4 UNC NUTS	35-45 IN-LBS
RETROFITTING VALVE BRACKET	1/4 UNC NUTS	35-45 IN-LBS
PIVOT BALL	1/4 UNC NUTS	35-45 IN-LBS
LINKAGE	1/4 UNC NUTS	HAND TIGHT + 30° TO 60°
PIPE FITTINGS	1/4" NPT Fittings	HAND TIGHT + 270° TO 450°

## 2. AIR LINE ROUTING SCHEMATICS

**IMPORTANT !** When connecting the airline during an installation the following procedure should be used to insure proper airline function.

1. Be sure fitting and airline are free of debris and airline is cut squarely.
2. Insert tubing into fitting until it bottoms out.
3. Pull on tubing to ensure airline is properly attached.
4. Push in on tubing again to insure full insertion.
5. Pull on tubing a second time to insure proper attachment

Figure 2-1 shows the layout of the Barksdale valve, Fittings & Airline connections for a single HCV system.

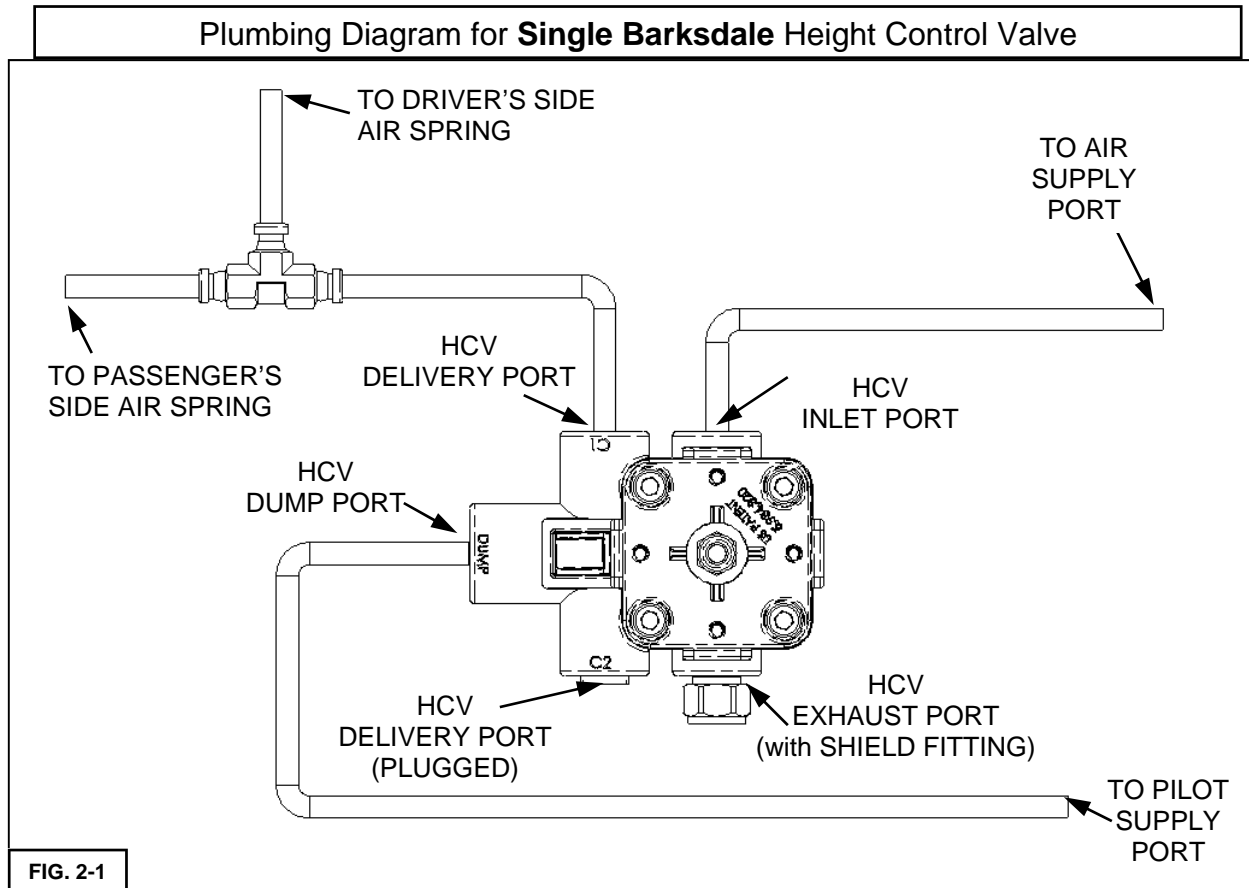


Figure 2-2 shows the layout of 2 Barksdale valves, Fittings & Airline connections for a Dual HCV system.

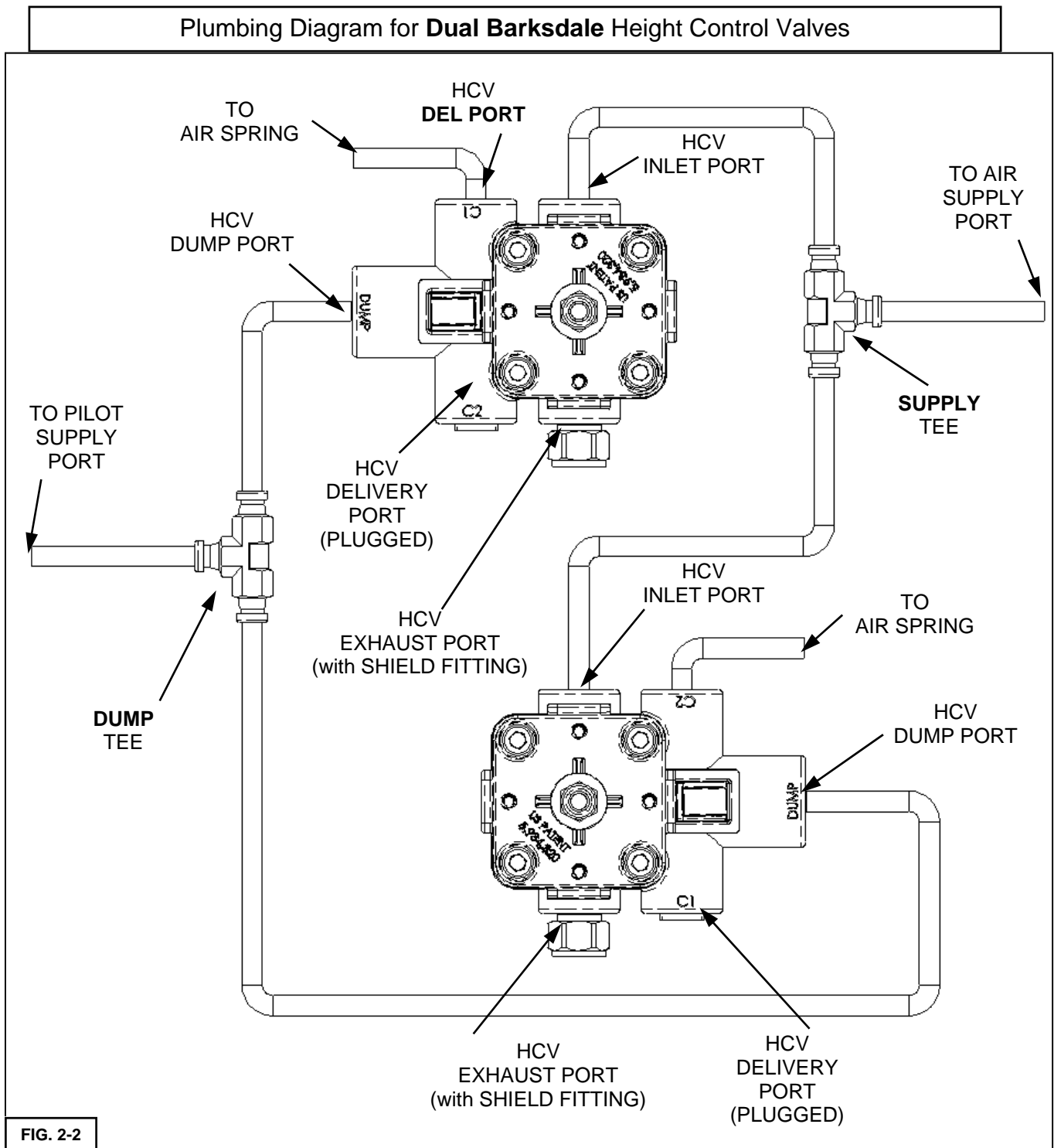
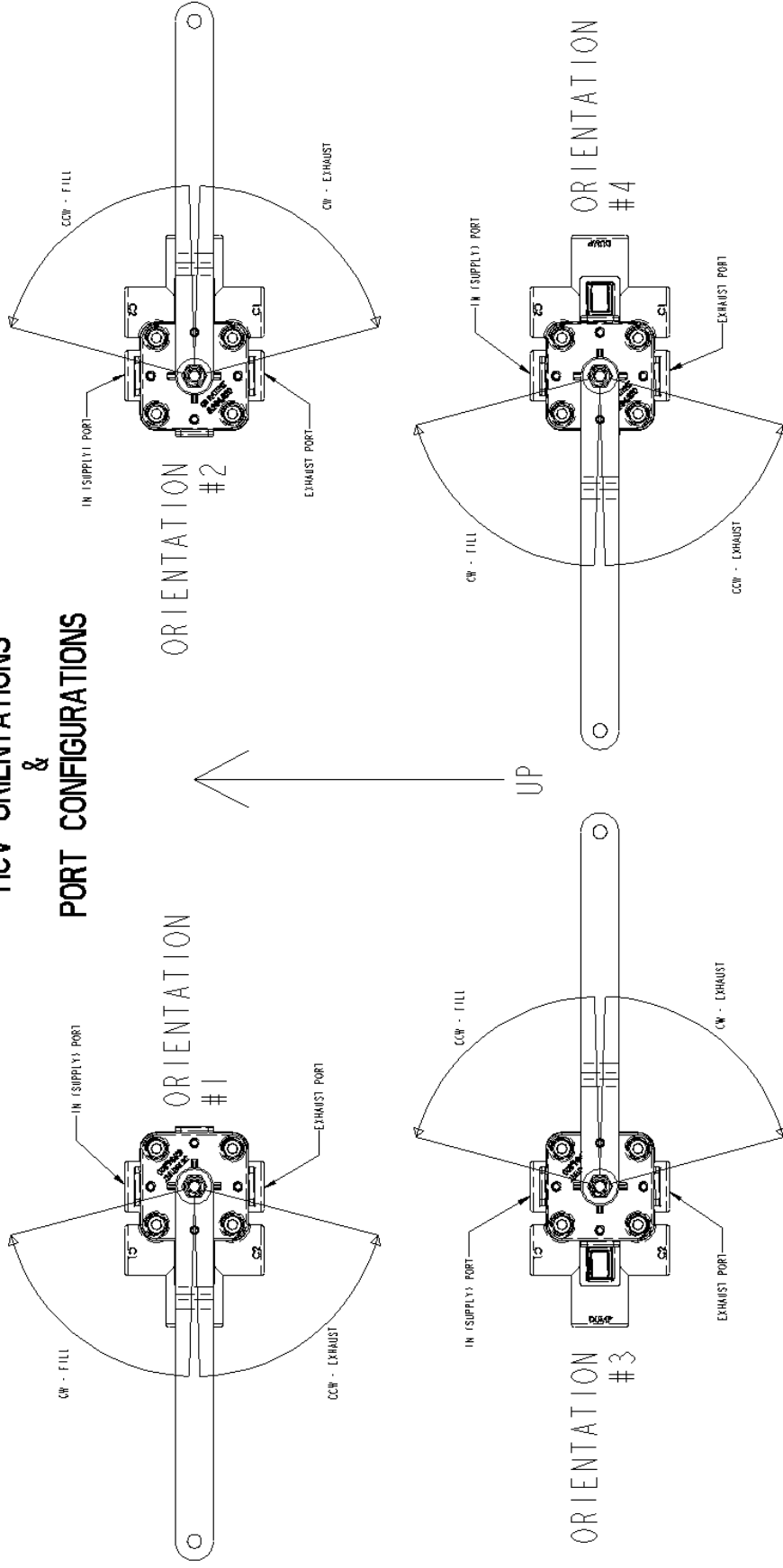


FIG. 2-2

# 3. VALVE ORIENTATION CHART

## HCV ORIENTATIONS & PORT CONFIGURATIONS



**NOTE: In all orientations, the inlet port always points up on the vehicle and the exhaust port points down.**

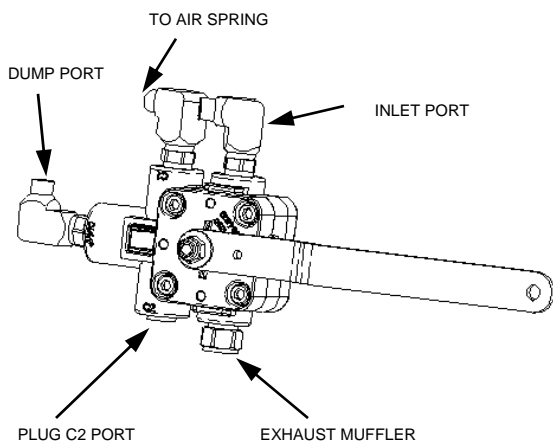
**The C1 and C2 ports can both be connected to the air spring. When only one port is used, the other must be plugged.**

# ASSEMBLY DIAGRAMS

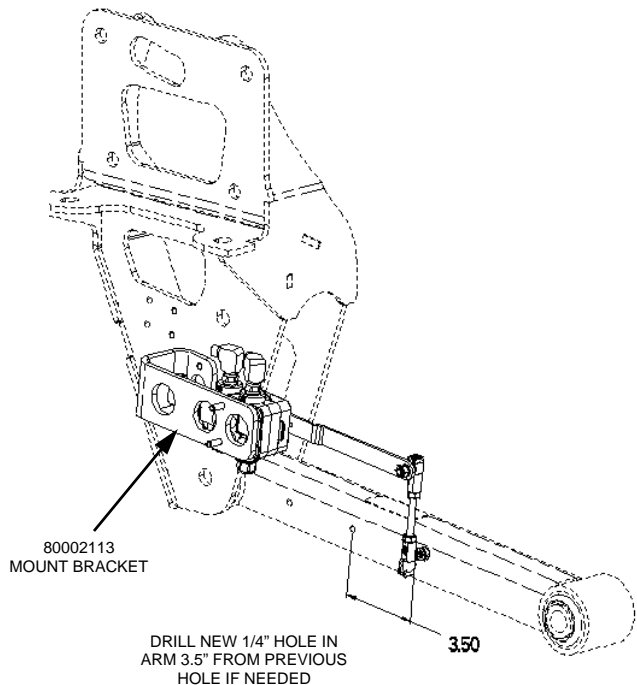
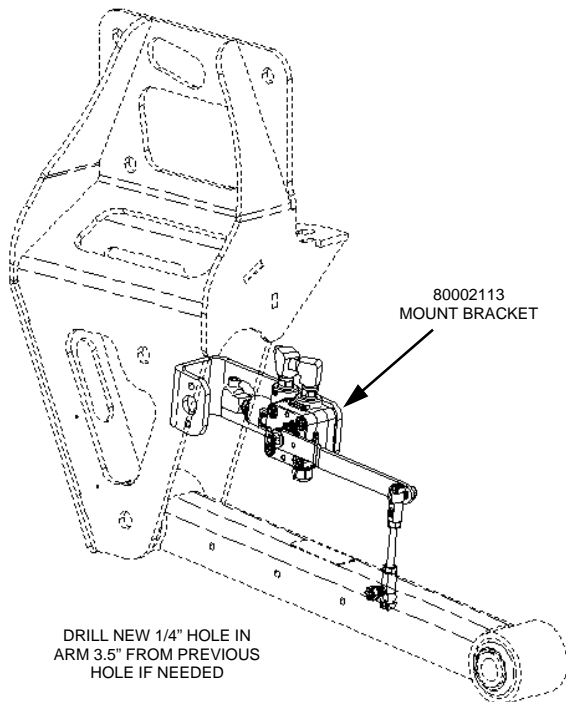
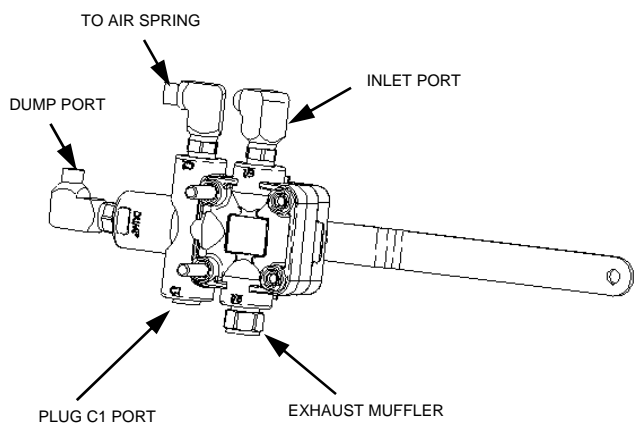
## FOR FORD F450/550 PARALLELAGRAM ULTRARIDE

### PART NO. 8M000035 & 8M000068

DRIVER'S SIDE VALVE ASSEMBLY  
USE ORIENTATION #3 (see page 5)



PASENGER'S SIDE VALVE ASSEMBLY  
USE ORIENTATION #4 (see page 5)



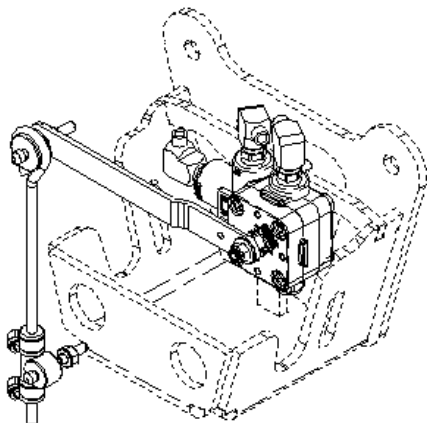
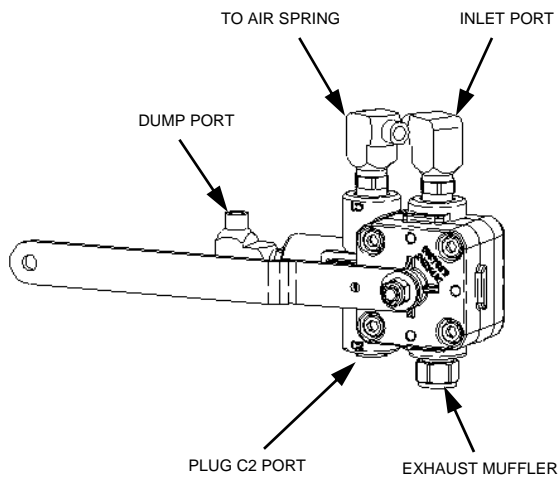
# ASSEMBLY DIAGRAMS

## FOR GMC 4500/5500 ULTRARIDE

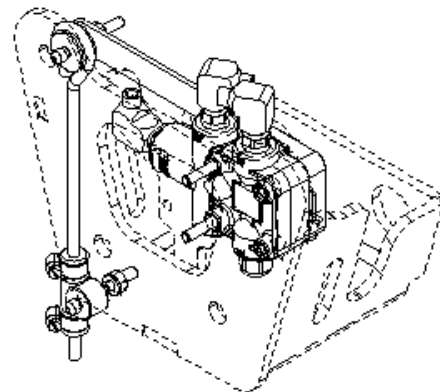
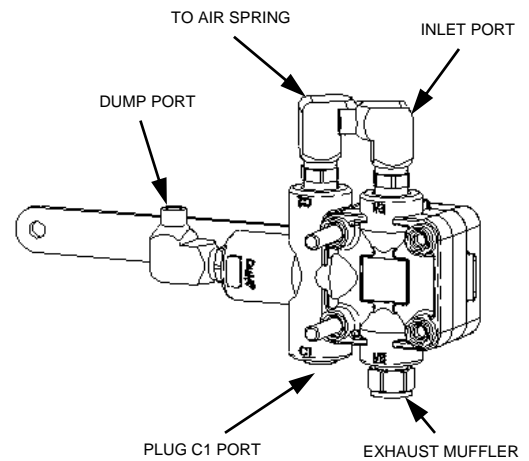
8M000070, 8M000075, 8M000078, 8M000080, 8M000085, & 8M000087

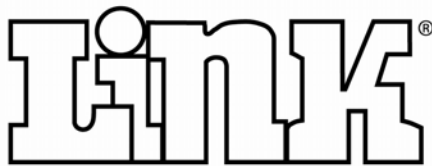
Note: Valve Mount Brackets for 8M000087 are shown. Valve Mount Brackets for other suspension part numbers will have slightly different appearance, but Valve orientation / operation will be the same.

DRIVER'S SIDE VALVE ASSEMBLY  
USE ORIENTATION #1 (see page 5)



PASSENGER'S SIDE VALVE ASSEMBLY  
USE ORIENTATION #2 (see page 5)





Link Mfg. Ltd.  
223 15th St. NE  
Sioux Center, IA USA  
51250-2120

(712) 722-4874

<http://www.linkmfg.com/>