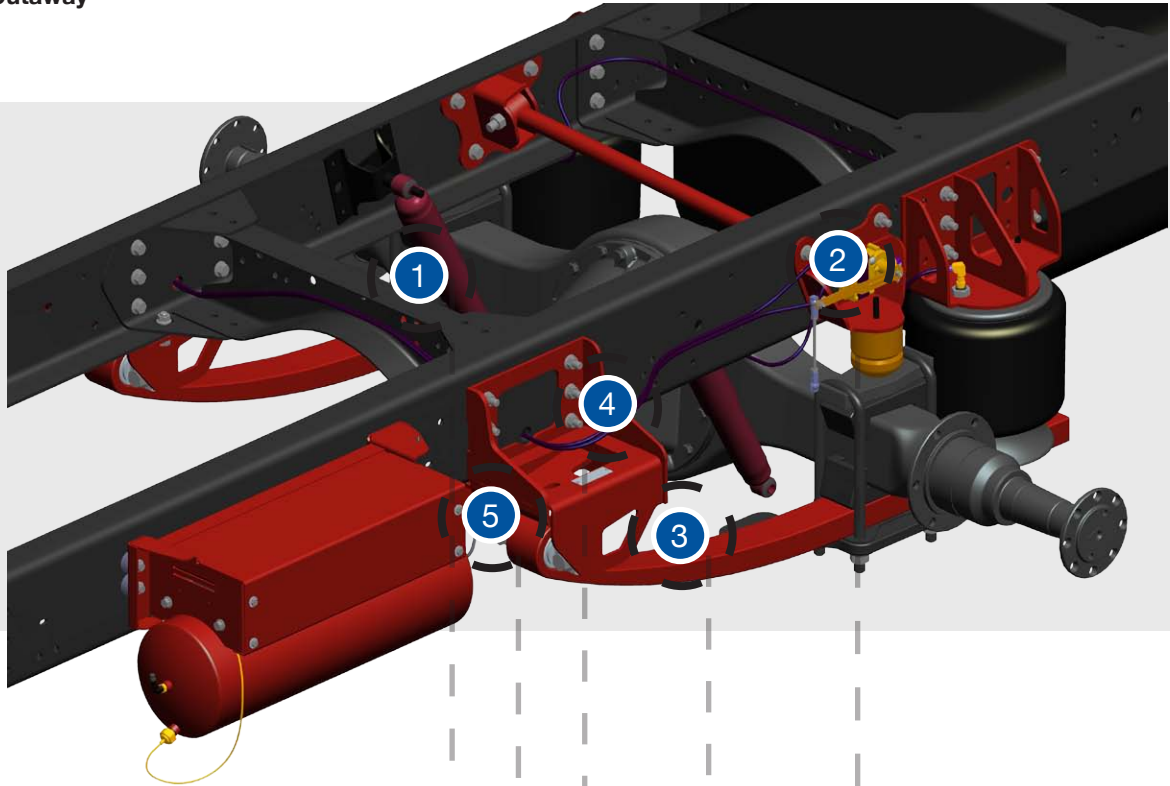


GM 4500/5500

Chassis Cab & Cutaway

(8M000070)



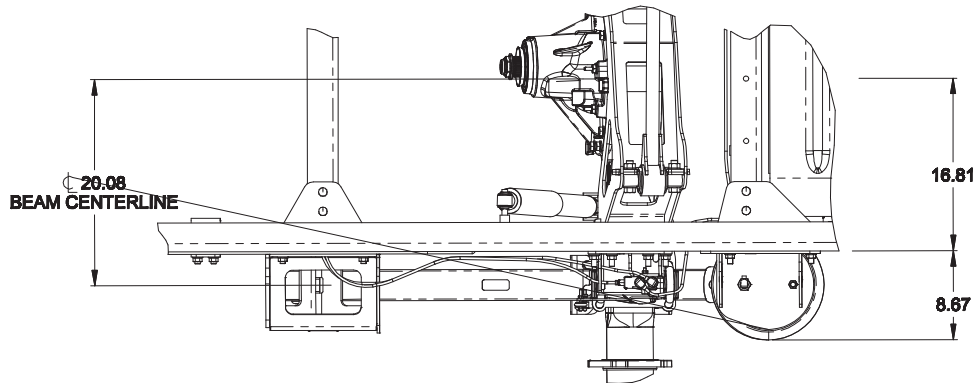
- 1 Shock Absorbers
- 2 Height Control System
- 3 Custom Spring Arm
- 4 Existing Frame Holes
- 5 Adjustable Shims

FEATURE	BENEFIT
Shock Absorbers	Maximize Comfort & Stability
Height Control System	Maintains Optimal Ride Height
Custom Spring Arm	Optimizes Handling
Existing Frame Holes	Reduces Install Time
Adjustable Shims	For Axle Alignment

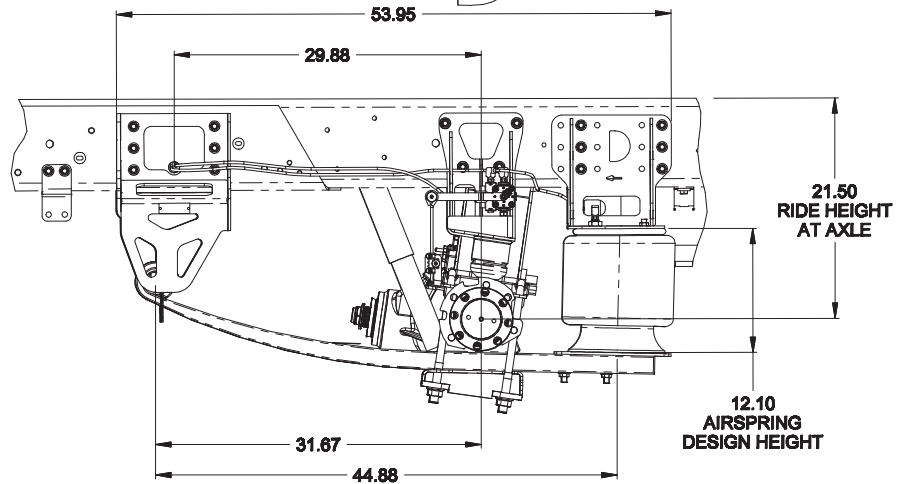
SUSPENSION SPECIFICATIONS

MODEL	GM 4500/5500 4x4 Chassis Cab & Cutaway
YEAR	2006 - Newer 2005 with Dana S110 Axle
RIDE HEIGHT	16.33"
AIR SPRING DESIGN HEIGHT	11.1"
AXLE TRAVEL	3.00" Jounce (M/M) 3.00" Rebound (M/M)
OE AXLE	Dana 80 (11K Axle) Dana S110 Axle (13.5K Axle) HD2 RPO
LINK PART NUMBER	8M000070 Dana 80, 11K Axle Kit 8M000071 Dana S110, 13.5K Axle Kit 8M000092
STYLE	Spring Arm/ Trailing Arm
WEIGHT	260 LBS
CAPACITY	11,000 LBS & 13,500 LBS

TOP VIEW



SIDE VIEW



INSTALLATION NOTES

The OE jounce bumper is almost engaged with suspension at Design Height.

Suspension will not fit the N-12 exhaust (rear exit option) on any chassis other than C5V specification.

Suspension will not fit trucks with the J-69 In Wheel Park Brake option.

Frame may need drilling to fit NK1, N21, B3D, NG6 Fuel Tank Options.