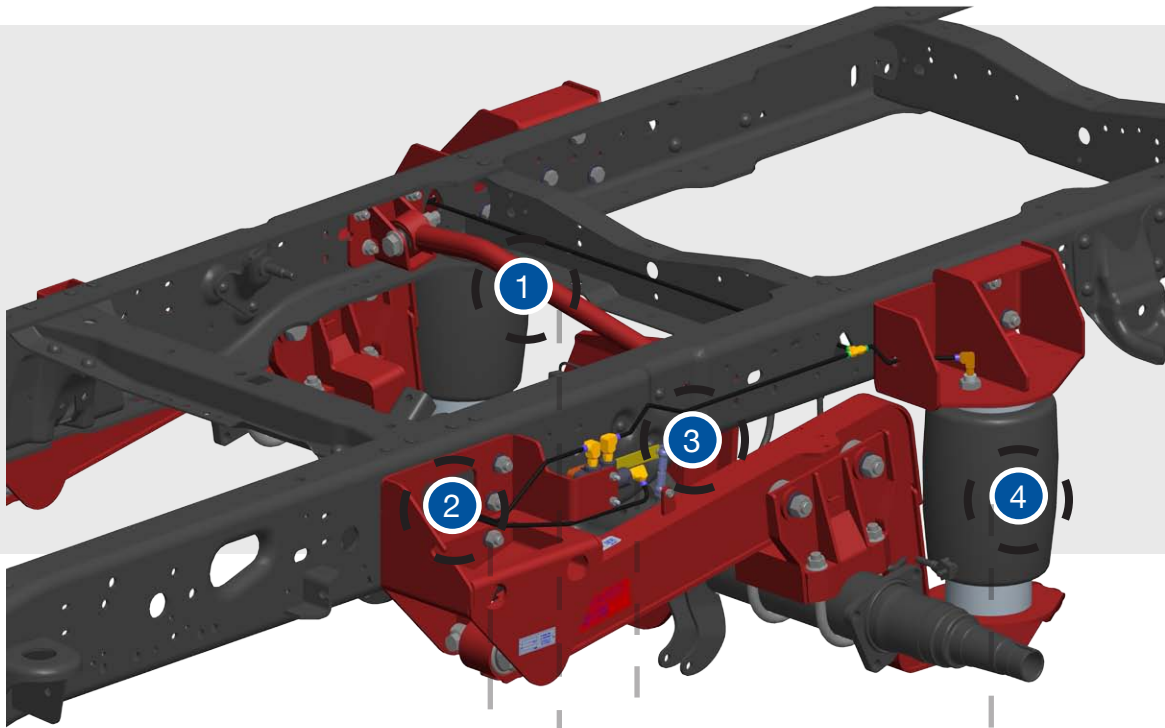


Ford F350 4x2 & 4x4 Chassis Cabs

(8M000063)



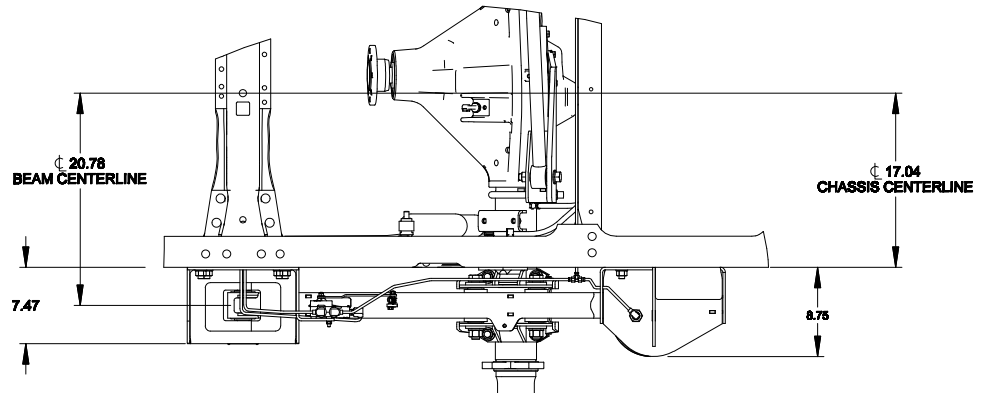
- 1 Lateral Control Device
- 2 Existing Frame Holes
- 3 Heavy Duty Height Control System
- 4 Rate Tailored Air Springs

FEATURE	BENEFIT
Lateral Control Device	Assures Alignment & Tracking
Existing Frame Holes	Reduces Install Time
Heavy Duty Height Control System	Maintains Optional Ride Height Loaded or Unloaded
Rate Tailored Air Springs	Include Internal Stop for Best Ride

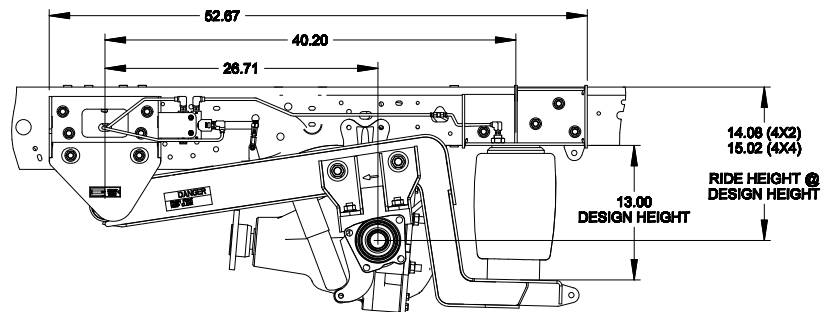
SUSPENSION SPECIFICATIONS

MODEL	Ford F350 Chassis Cab	
YEAR	4x2 1999 - 2007 4x4 2004 & earlier	
RIDE HEIGHT	4x2 14.08" 4x4 15.02"	
AIR SPRING DESIGN HEIGHT	13.0"	
AXLE TRAVEL	4x2 1.50" Jounce (B/C) 2.88" Jounce (M/M) 3.00" Rebound (M/M)	4x4 1.50" Jounce (B/C) 2.75" Jounce (M/M) 3.00" Rebound (M/M)
LINK PART NUMBER	8M000063 8M000064 (4x2 Dana Axle Kit) 8M000065 (4x4 Dana Axle Kit)	
STYLE	Fabricated Trailing Arm	
WEIGHT	TBD	
CAPACITY	9,750 LBS	

TOP VIEW



SIDE VIEW



INSTALLATION NOTES

One hole drilled in the frame for each air spring plate.

Two holes reamed & two holes drilled in frame for lateral control rod bracket on passenger side.

Exhaust modification required (not supplied by Link).