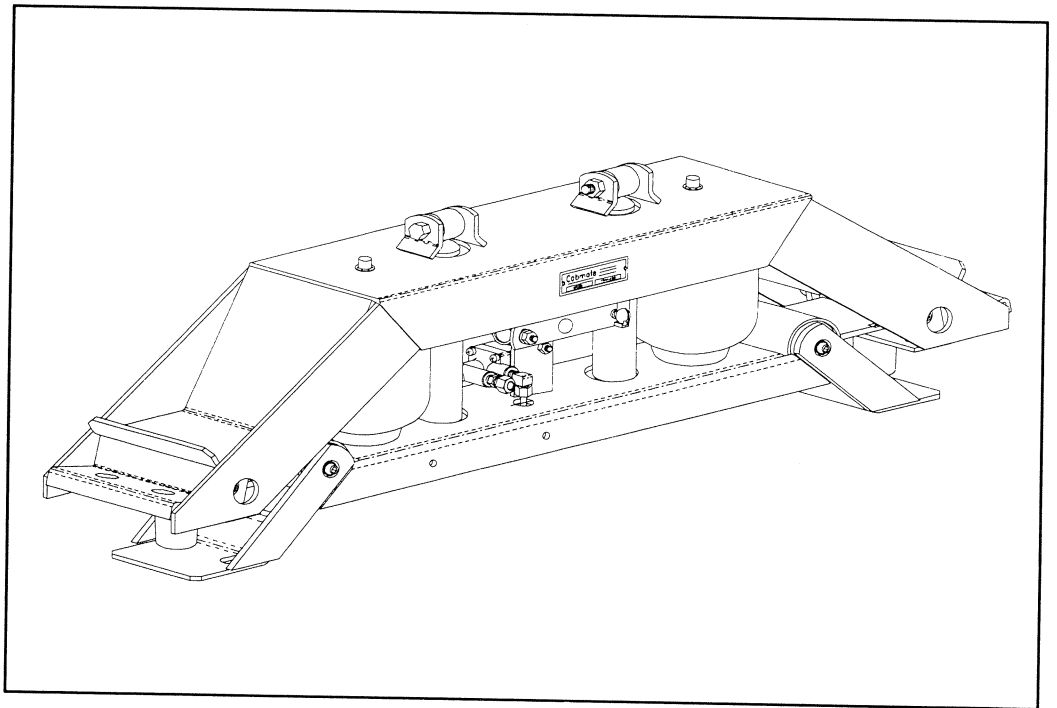


LINK

Cabmate[®]
TRUCK CAB AIR SUSPENSION SYSTEMS

INSTALLATION INSTRUCTIONS PARTS LIST

FRT285 (2205-0000)



Link Mfg. Ltd.
223 15th St. N.E.
Sioux Center, IA USA
51250-2120

(712) 722-4874
Fax (712) 722-4876

**QUESTIONS?
CALL CUSTOMER
SERVICE
1-800-222-6283**

The **CABMATE MODEL FRT285** fits most 1984 and newer Freightliner Cabover Tractors with 86", 96", or 104" cabs, **9 1/8" frame rails** and outboard exhaust systems. The FRT285 replaces the stock rear cab mounts, Freightliner part no. 18-20933-1.

UNIT WEIGHT: 58 LB.

NET WEIGHT ADDED: 44.6 LB.

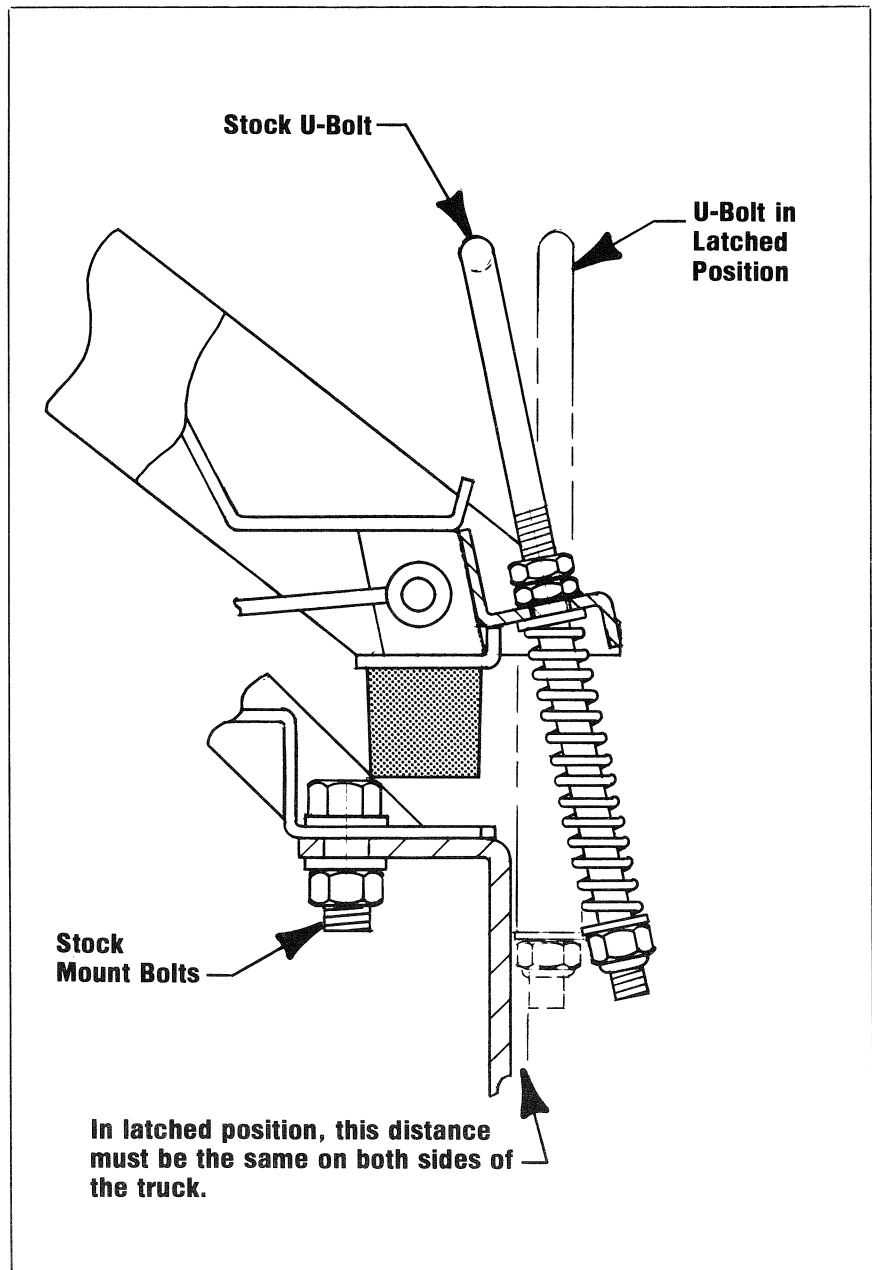
CABMATE MODEL FRT285

Review the Parts List on page 3 to become familiar with the different components of the CABMATE.

IMPORTANT: Due to many chassis variables caused by installation of special equipment or options, the fit of the FRT285 CABMATE may be affected and should be evaluated before beginning installation.

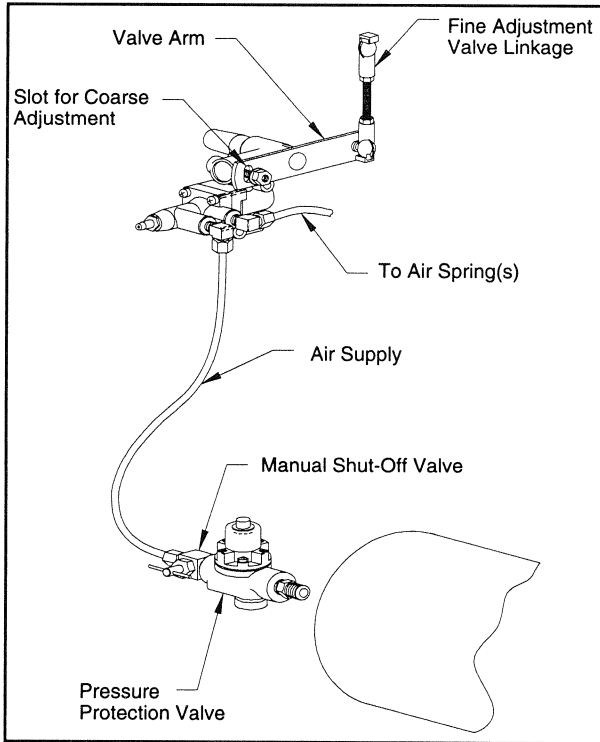
IMPORTANT: After the CABMATE is installed, the cab of the truck must be free to move. Before raising the cab to begin installation, check clearances between the cab and any objects the cab may contact when it moves downward or to the rear. Two inches of clearance should be sufficient.

- A. Raise the cab and remove the lower rear cab mounts. **SAVE** all stock mount bolts for later use.
- B. Remove the U-bolts from the original mounts and install on the CABMATE (see figure).
- C. Loosely fasten the CABMATE to the frame. Lower the cab until it touches the CABMATE. Position the unit so the cab mount pads are centered on the unit.
- D. With the U-bolts **SECURELY** latched, position the unit so the distance between the U-bolts and the frame is the same on both sides of the truck (see figure). **SECURELY TIGHTEN ALL FASTENERS.**
- E. See page 2 for plumbing instructions and height adjustments.



PLUMBING INSTRUCTIONS

WARNING: FOR SAFETY PURPOSES THE CABMATE MUST BE SUPPLIED FROM A PRESSURE PROTECTED CIRCUIT. IN THE EVENT OF AN AIR LEAK IN THE CAB SUSPENSION, FAILURE TO PROVIDE A PRESSURE PROTECTED CIRCUIT MAY CAUSE LOSS OF AIR PRESSURE TO VITAL SYSTEMS ON THE VEHICLE.



WARNING: LOSS OR APPLICATION OF AIR PRESSURE TO CABMATE WILL CAUSE SUDDEN MOVEMENT OF THE CAB. PRIOR TO INSTALLING OR PERFORMING ANY MAINTENANCE, BLOCK UP THE CABMATE TO PREVENT THE POSSIBILITY OF INJURY.

WARNING: CONNECT THE CABMATE DIRECTLY TO THE MAIN AIR TANK. YOU WILL NEED AN AIR PRESSURE PROTECTION VALVE IN THE LINE. (INCLUDED IN THE PRESSURE PROTECTION KIT, LINK MFG. PART NO. 1350-0000). DO NOT USE AN AIR PRESSURE REGULATOR!

A. With the tank at 0 p.s.i., remove the existing plug or fitting from the desired port.

B. Apply joint compound to the fittings and install the pressure protection kit. **DO NOT USE TEFLON TAPE.** Be sure that the arrows on the valve are pointing in the direction of air flow and the vent hole is pointed down. **NOTE:** Additional fittings/reducers may be required to attach the hex nipple to the main air tank.

C. Run the 1/4" airline from the shut-off valve to the CABMATE. Be sure that the airline has enough clearance so that there are no pinch points that may restrict or cut the airline. Secure the airline using the cable ties supplied by Link Mfg.

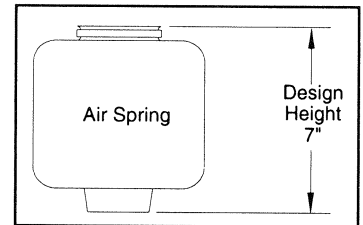
D. Tighten all plumbing fittings. Then, with the system at operating pressure (90 to 110 p.s.i.), open the Manual Shut-off Valve to supply air to the CABMATE. (There is an approximate 5 second delay in the Height Control Valve.) Check the system for air leaks.

E. Check for proper operation of the height control valve. Disconnect the valve linkage from the valve arm. Push the valve arm down 45° and hold

for 5 seconds, air should be flowing into the air spring(s). Return the valve arm to the neutral position. Push the valve arm up 45° and hold for 5 seconds, air should be evacuating from the air spring(s). Return the valve arm to the neutral position; no air should flow. Reconnect the valve linkage to the valve arm.

HEIGHT ADJUSTMENTS

Measure the design height of the air spring(s). The height should be 7 inches \pm 1/8. To change the height, disconnect one end of the valve linkage and adjust accordingly. Tighten the lock nuts on the valve linkage. The valve arm has a slot which will allow for coarse adjustment also. (See diagram above.)



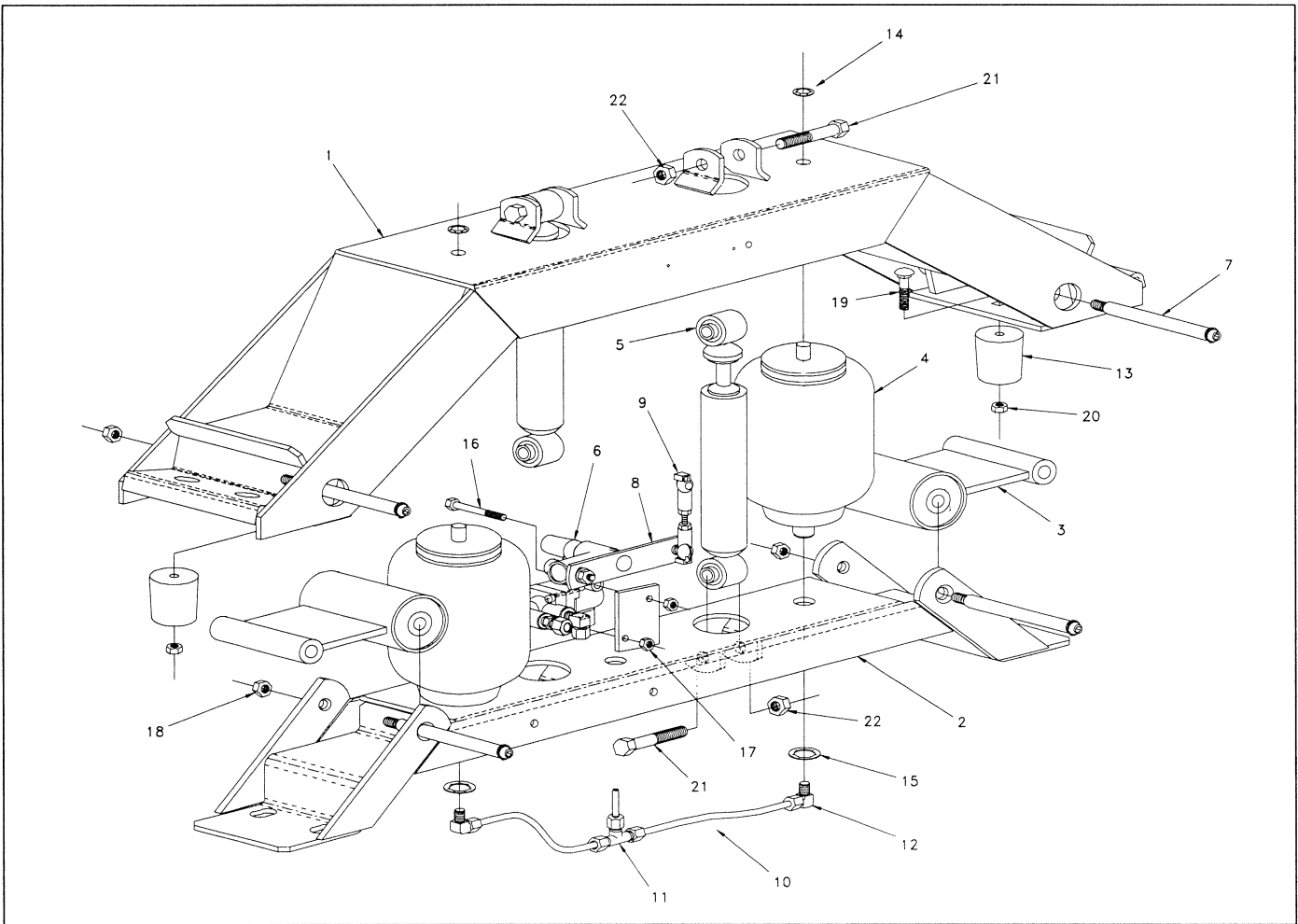
MAINTENANCE

CABMATES need no lubrication and little maintenance. The following components should be checked at the time the truck is being serviced. However, immediate corrective action should be taken if a serious malfunction occurs.

COMPONENT	POSSIBLE PROBLEM	CORRECTIVE ACTION	TORQUE
Airlines	Air leaks	Replace airline	Compression Nut Hand Tight + 1 Turn
Fittings	Air leaks	Remove fitting and apply fresh joint compound. Reinstall fitting, but Do Not Overtighten. Do not use Teflon tape.	AIR SPRING MATERIAL Metal Plastic 15 Hand Tight Ft. Lbs. + 1 Turn
Air Springs	A. Improper height B. Air leakage	A. Adjust valve linkage to maintain proper air spring height. B. Replace air spring.	Size Metal Plastic 3/8 25 Ft. Lbs 4 Ft. Lbs 1/2 28 Ft. Lbs 10 Ft. Lbs 3/4 30 Ft. Lbs 10 Ft. Lbs
Height Control Valve*	A. Air leakage from joint between valve halves. B. Air springs will not inflate when weight is added to the cab. C. Air springs will not deflate when weight is removed from the cab.	A. Tighten 4 Phillips head screws. B. Replace valve. C. Replace valve.	30 In. Lbs. 1/4 Mount Fasteners 10 Ft. Lbs.
Shock Absorber	Insufficient dampening effect	Replace shocks	45 Ft. Lbs.
Hinge Arm	A. Loose nuts on hinge arm bolts B. Worn bushings	A. Tighten securely. B. Replace hinge arm.	25 Ft. Lbs.

IMPORTANT: Periodically check the tightness of all fasteners.

* **Note:** If you attempt to disassemble or adjust fittings on the height control valve, it will void your warranty. Contact Link Manufacturing for assistance.



CABMATE® MODEL FRT285

PARTS LIST

ITEM #	PART #	PART DESCRIPTION	QTY.
1	2205-1000	Unit Top	1
2	2205-2000	Unit Bottom	1
3	2992-2002	Hinge Arm	2
4	1102-0043	Air Spring	2
5	1202-0032	Shock Absorber	2
6	1301-0025	Height Control Valve	1
7	2990-0501	Hinge Arm Bolt Assembly	4
8	2990-0700	Valve Arm	1
9	1500-0236	Valve Linkage	1
10	1302-0090	0.250 Airline	1.3 ft.
11	1302-1083	Union Tee	1
12	1302-1105	Male Elbow	2
13	1500-0070	Rubber Bumper	2
14	1500-0320	1/2 Retainer Ring	2
15	1500-0330	3/4 Retainer Ring	2
16	1401-0816	1/4 X 2 UNC Bolt	2
17	1476-0800	1/4 UNC Lock Nut	2
18	1476-1201	3/8 UNC Top Lock Nut	4
19	1435-1012	5/16 X 1 1/2 UNC Carriage Bolt	2
20	1476-1000	5/16 UNC Lock Nut	2
21	1403-1418	7/16 X 2 1/4 UNF Bolt	4
22	1477-1400	7/16 UNF Lock Nut	4
Not Shown	1350-0000	Pressure Protection Kit	1