

# Cabmate

ford

freightliner

gmc

international

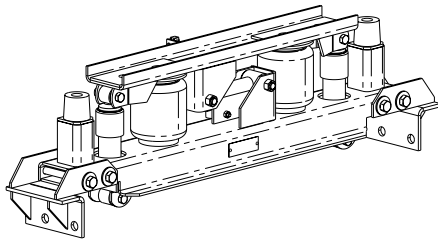
kenworth

mack  
marmon

peterbilt

sterling

volvo  
western star

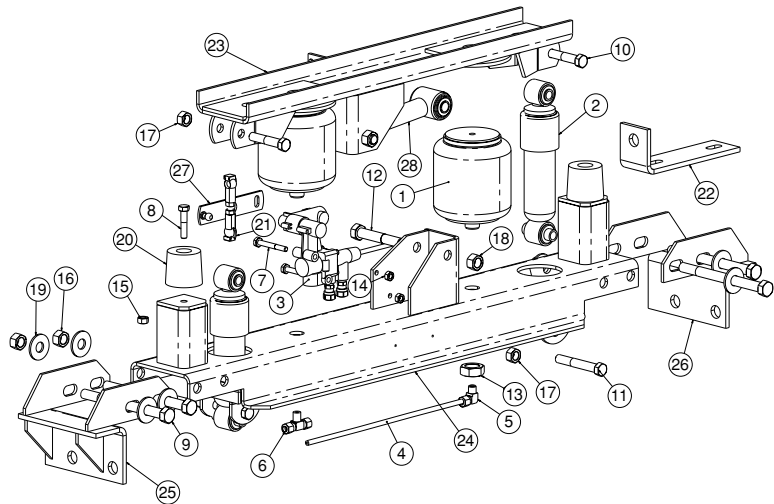
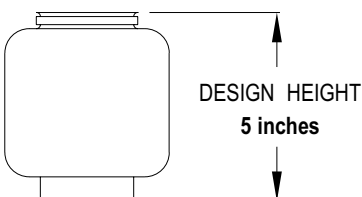


**CABMATE MODEL  
WWG112-A**  
**2961-0000** AFTERMARKET

**FITS:** Fits most White GMC WG conventional tractors with 112" cabs. It replaces the original rear cab mounts, WhiteGMC part nos.: 66015-3204, 66002-3204 and 66001-3203 or 66024-3209, 66002-3202 and 66015-3202. It may fit WCM and WCL series tractors, check part numbers to verify.

Wt: 55 lbs. Wt. Added: 15 lbs.  
Installation Time: 3-4 hours

## NOTES:



## PARTS LIST

1	1102-0023	SPRING-AIR	.....	2
2	1201-0012	SHOCK ABSORBER	.....	2
3	1301-0011	VALVE-CONTROL, HEIGHT	.....	1
4	1302-0090	0.250 AIRLINE	.....	2.5'
5	1302-1105	ELBOW, 1/4 TB 1/8 M-NPT	.....	1
6	1302-1143	BRANCH TEE, 1/4 TB 1/8 M-NPT	.....	1
7	1401-0816	1/4 X 2 UNC HEX CAP SCREW (GRADE 5)	.....	2
8	1401-1012	5/16 X 1 1/2 UNC HEX CAP SCREW (GRADE 5)	.....	2
9	1401-1648	1/2 X 6 UNC HEX CAP SCREW (GRADE 5)	.....	4
10	1403-1418	7/16 X 2 1/4 UNF HEX CAP SCREW (GRADE 5)	.....	2
11	1403-1424	7/16 X 3 UNF HEX CAP SCREW (GRADE 5)	.....	2
12	1404-1624	1/2 X 3 UNF HEX CAP SCREW (GRADE 8)	.....	2
13	1475-2400	3/4 UNF JAM NUT	.....	2
14	1476-0800	1/4 UNC HEX CENTER LOCK NUT (GRADE B)	.....	2
15	1476-1000	5/16 UNC HEX CENTER LOCK NUT (GRADE B)	.....	2
16	1476-1600	1/2 UNC HEX CENTER LOCK NUT (GRADE B)	.....	4
17	1477-1400	7/16 UNF HEX CENTER LOCK NUT (GRADE B)	.....	4
18	1477-1601	1/2 UNF HEX TOP LOCK NUT (GRADE C)	.....	2
19	1487-1600	1/2 TYPE A PLAIN WASHER	.....	8
20	1500-0070	BUMPER-JOUNCE, 1.75	.....	2
21	1500-0235	LINKAGE-VALVE, HEIGHT CONTROL (2.63)	.....	1
22	2961-0001	OPTIONAL EXHAUST BRACKET	.....	1
23	2961-1000	UNIT TOP	.....	1
24*	2961-2100	UNIT BOTTOM	.....	1
25*	2961-3100	MOUNT BRACKET-DRIVER	.....	1
26*	2961-4100	MOUNT BRACKET-PASSENGER	.....	1
27	2990-0700	ASSEMBLY-ARM, VALVE	.....	1
28	2993-2019	LATERAL CONTROL ROD	.....	1
NS	1350-0000	KIT-PROTECTION, PRESSURE	.....	1

\*NOTE: PRIOR TO SERIAL NO. 9303-9009 UNIT BOTTOM PART NO. IS 2961-2000, MOUNT BRACKET DRIVER PART NO. IS 2961-3000 AND MOUNT BRACKET PASSENGER PART NO. IS 2961-4000.