

Cabmate

ford

freightliner

gmc

international

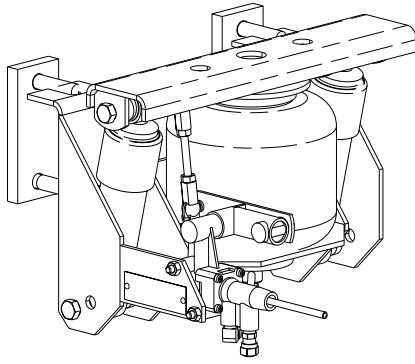
kenworth

mack
marmon

peterbilt

sterling

volvo
western star

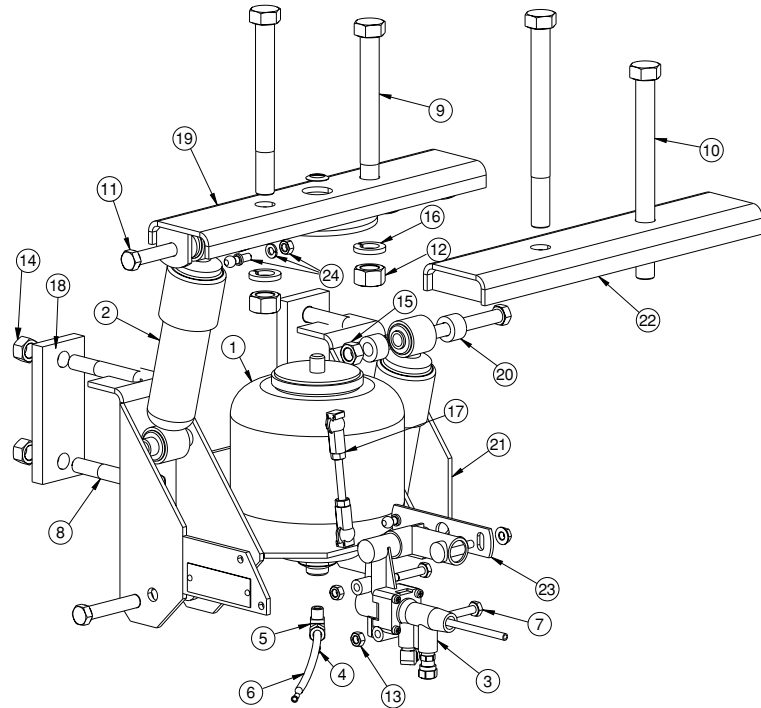


CABMATE MODEL
MCR600
2610-0000 AFTERMARKET

FITS: Most Mack R600 Series conventional tractors. It replaces the original rear cab mounting bracket.

Wt: 32 lbs. Wt. Added: 24 lbs.
Installation Time: 3-4 hours

NOTES:



PARTS LIST

1	1102-A043	AIR SPRING WITH ATTACHMENTS	1
2	1201-0012	SHOCK ABSORBER	2
3	1301-0010	VALVE-CONTROL, HEIGHT	1
4	1302-1038	.25 TUBE SUPPORT	2
5	1302-1105	ELBOW, 1/4 TB 1/8 M-NPT	1
6	1302-0090	.25 AIRLINE	0.5'
7	1401-0816	1/4 X 2 UNC HEX CAP SCREW (GRADE 5)	2
8	1401-1628	1/2 X 3 1/2 UNC HEX CAP SCREW (GRADE 5)	2
9	1401-2048	5/8 X 6 UNC HEX CAP SCREW (GRADE 5)	2
10	1401-2056	5/8 X 7 UNC HEX CAP SCREW (GRADE 5)	2
11	1403-1428	7/16 X 3 1/2 UNF HEX CAP SCREW (GRADE 5)	4
12	1470-2000	5/8 UNC HEX NUT (GRADE B)	2
13	1476-0800	1/4 UNC HEX CENTER LOCK NUT (GRADE B)	2
14	1476-1600	1/2 UNC HEX CENTER LOCK NUT (GRADE B)	4
15	1477-1400	7/16 UNF HEX CENTER LOCK NUT (GRADE B)	4
16	1485-2000	5/8 LOCK WASHER	2
17	1500-0245	LINKAGE-VALVE, HEIGHT CONTROL (3.88)	1
18	2610-0001	MOUNT STRAP	2
19	2610-1000	BRACKET-MOUNT, CAB	1
20	2610-1005	TOP SHOCK SPACER	4
21	2610-2000	BRACKET-MOUNT, CROSSMEMBER	1
22	2610-3000	SPACER-MOUNT, CAB	1
23	2990-0700	ASSEMBLY-ARM, VALVE	1
24	2991-0026	KIT-PIVOT BALL	1
NS	1350-0000	KIT-PROTECTION, PRESSURE	1

