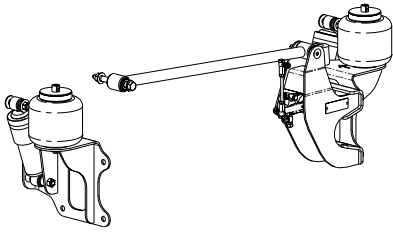


# Cabmate

ford



freightliner

## CABMATE MODEL KWCSA 11-13

### 2551-J000

Trucks with  
no frame inserts (5/16 or 3/8 frames)

### 2551-K000

Trucks with  
single frame inserts (1/4 insert)

### 2551-L000

Trucks with  
double frame inserts (1/4 or 3/8 inserts).

### 2551-M000

Same as KWCSA-11,  
for use w/ 16mm frame mount fasteners.

### 2551-N000

Same as KWCSA-12,  
for use w/ 16mm frame mount fasteners.

### 2551-P000

Same as KWCSA-13,  
for use w/ 16mm frame mount fasteners.

### 2991-0028

Component package  
for 62" Aerocabs and 74" sleepers.

### 2991-0029

Component package  
for 72" Aerocabs.

### 2991-0030

Component package  
for 38" Aerocabs.

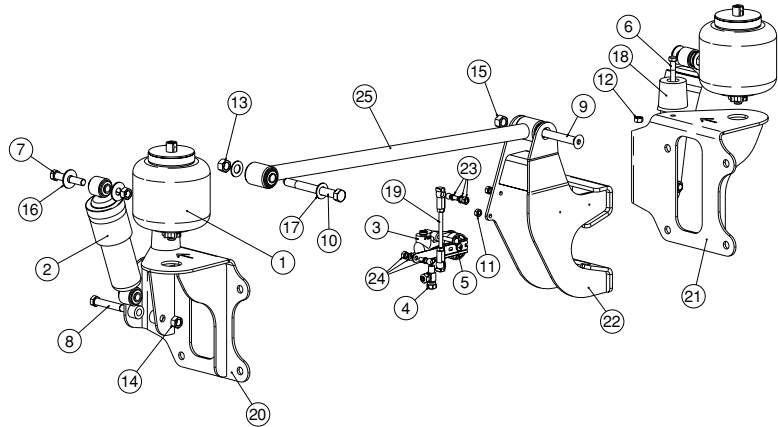
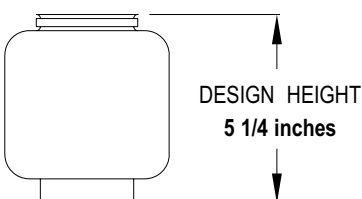
kenworth

mack  
marmon

peterbilt

sterling

volvo  
western star



## PARTS LIST

1	1102-0077	SPRING-AIR	.....2
2	{1}	SHOCK ABSORBER	.....2
3	1350-0113	ASSEMBLY-HEIGHT CONTROL VALVE	.....1
4	1302-4001	RUN TEE, 1/4 TB 1/8 M-NPT, DOT	.....1
5	1401-0814	1/4 X 1 3/4 UNC HEX CAP SCREW (GRADE 5)	.....2
6	1401-1012	5/16 X 1 1/2 UNC HEX CAP SCREW (GRADE 5)	.....2
7	1403-1420	7/16 X 2 1/2 UNC HEX CAP SCREW (GRADE 5)	.....2
8	1403-1428	7/16 X 3 1/2 UNF HEX CAP SCREW (GRADE 5)	.....2
9	1420-1628	1/2 X 3 1/2 UNF SOC FLAT CSK HD CAP SCREW	.....1
10	1460-0001	.50 X 5.00 UNC SS BOLT-CHAMFERED	.....1
11	1476-0800	1/4 UNC HEX CENTER LOCK NUT (GRADE B)	.....2
12	1476-1000	5/16 UNC HEX CENTER LOCK NUT (GRADE B)	.....2
13	1476-1600	1/2 UNC HEX CENTER LOCK NUT (GRADE B)	.....1
14	1477-1405	7/16 UNF HEX TOP LOCK NUT (GRADE B)	.....4
15	1477-1601	1/2 UNF HEX TOP LOCK NUT (GRADE C)	.....1
16	1487-1400	7/16 TYPE A PLAIN WASHER	.....4
17	1488-1601	1/2 SS SAE PLAIN WASHER	.....2
18	1500-0070	BUMPER-JOUNCE, 1.75	.....2
19	1500-0253	LINKAGE-VALVE, HEIGHT CONTROL (4.88)	.....1
20	{2}	BRACKET-MOUNT	.....1
21	{3}	BRACKET-MOUNT	.....1
22	{4}	BRACKET-MOUNT, CONTROL ROD	.....1
23	2991-0024	PIVOT BALL KIT	.....1
24	2991-0026	KIT-PIVOT BALL	.....1
25	{5}	LATERAL CONTROL ROD	.....1
{1}	1202-1164	FOR 62" AEROCABS AND 74" SLEEPERS	
	1202-1065	FOR 72" AEROCABS	
	1202-1264	FOR 38" AEROCABS	
{2}	2551-6501	FOR FRAMES WITH 12 MM FASTENERS	
	2551-6503	FOR FRAMES WITH 16 MM FASTENERS	
{3}	2551-6502	FOR FRAMES WITH 12 MM FASTENERS	
	2551-6504	FOR FRAMES WITH 16 MM FASTENERS	
{4}	2551-6506	FOR FRAMES WITH 12 MM FASTENERS	
	2551-6507	FOR FRAMES WITH 16 MM FASTENERS	
{5}	2993-2009	FOR TRUCKS WITH NO FRAME INSERTS (5/16 OR 3/8 FRAMES)	
	2993-2010	FOR TRUCKS WITH FRAME INSERTS (1/4 INSERT)	
	2993-2011	FOR TRUCKS WITH DOUBLE FRAME INSERTS (1/4 AND 3/8 INSERT)	