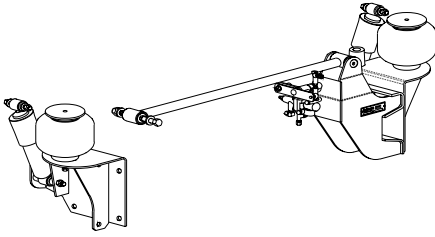


# Cabmate

ford



freightliner

## CABMATE MODEL KWCSA 01-06

### 2551-A000

Trucks with  
no frame inserts (5/16 or 3/8 frames)

gmc

### 2551-B000

Trucks with  
single frame inserts (1/4 insert)

international

### 2551-C000

Trucks with  
double frame inserts (1/4 or 3/8 inserts).

kenworth

### 2551-D000

Same as KWCSA-01,  
& frame crossmember is in close proximity  
to the lateral control rod mount bracket.

mack  
marmon

### 2551-E000

Same as KWCSA-02,  
& frame crossmember is in close proximity  
to the lateral control rod mount bracket.

peterbilt

### 2551-F000

Same as KWCSA-03,  
& frame crossmember is in close proximity  
to the lateral control rod mount bracket.

sterling

### 2991-0001

Component package  
for 62" Aerocabs and 74" sleepers.

volvo  
western star

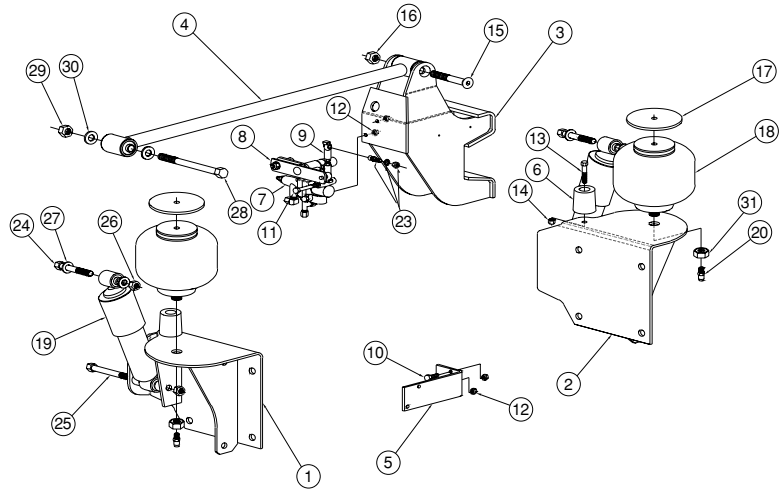
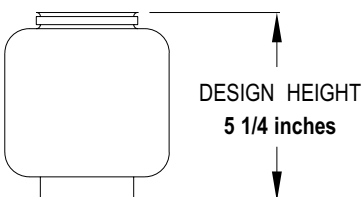
### 2991-0002

Component package  
for 72" Aerocabs.

### 2991-0003

Component package  
for 38" Aerocabs.

### 2991-0024



## PARTS LIST

### FOR UNITS 2551-A000, 2551-B000 AND 2551-C000

1	2551-3100	FRAME BRACKET -DRIVER	1
2	2551-4100	FRAME BRACKET -PASSENGER	1
3	2551-5100	LATERAL CONTROL ROD MOUNT BRACKET	1
4	{1}	LATERAL CONTROL ROD	1
5	{2}	HEIGHT CONTROL VALVE RELOCATION BRACKET	1
6	1500-0070	RUBBER BUMPER	2
7	1301-0014	HEIGHT CONTROL VALVE	1
8	2990-0700	VALVE ARM	1
9	1500-0234	VALVE LINKAGE	1
10	1401-0806	1/4 X 3/4 UNC BOLT	2
11	1401-0816	1/4 X 2 UNC BOLT	2
12	1476-0800	1/4 UNC LOCK NUT	4
13	1401-1012	5/16 X 1 1/2 UNC BOLT	2
14	1476-1000	5/16 UNC LOCK NUT	2
15	1420-1628	1/2 X 3 1/2 UNF CS MACHINE SCREW	1
16	1477-1601	1/2 UNF TOP LOCK NUT	1
{1}	2993-2009	For trucks with no frame inserts (5/16 or 3/8 frames)	
	2993-2010	For trucks with frame inserts (1/4 insert)	
	2993-2011	For trucks with double frame inserts (1/4 and 3/8 insert)	
{2}	2551-0002	For use with units 2551-D000, 2551-E000, 2551-F000 where frame crossmember is in close proximity to the lateral control rod mount bracket.	

### FOR KITS 2991-0001, 2991-0002 AND 2991-0003

17	2551-0101	AIR SPRING UPPER PLATE	2
18	1102-0074	AIR SPRING	2
19	{3}	SHOCK ABSORBER	2
20	1302-5045	MALE CONNECTOR (1/8 NPT PUSH IN)	2
23	2991-0024	PIVOT BALL KIT	1
24	1403-1420	7/16 X 2 1/2 UNF BOLT	2
25	1403-1428	7/16 X 3 1/2 UNF BOLT	2
26	1477-1400	7/16 X UNF LOCK NUT	4
27	1488-1401	7/16 SS SAE FLAT WASHER	4
28	1460-0001	1/2 X 5 UNC STAINLESS STEEL BOLT	1
29	1476-1600	1/2 UNC LOCK NUT	1
30	1488-1401	1/2 SS SAE FLAT WASHER	2
31	1475-2400	3/4 UNF JAM NUT	2
{3}	1202-1164	USED ON 62 INCH AEROCABS AND 74 INCH SLEEPERS	
	1202-1065	USED ON 72 INCH AEROCABS	
	1202-1264	USED ON 38 INCH AEROCABS	