

Cabmate

ford

freightliner

gmc

international

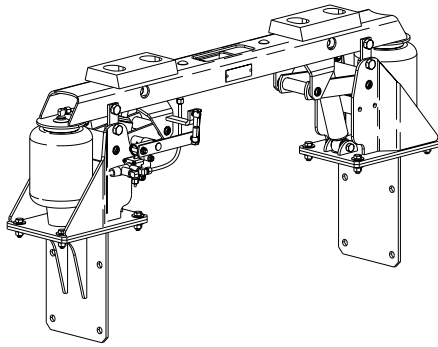
kenworth

mack
marmon

peterbilt

sterling

volvo
western star

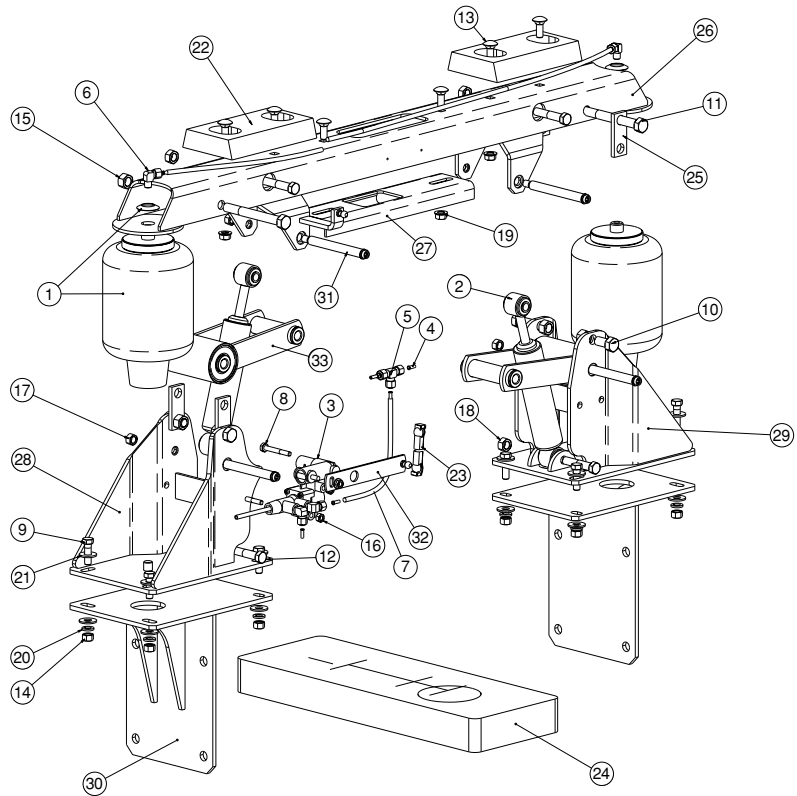
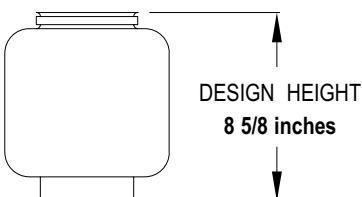


CABMATE MODEL KW1102-B 2500-A000 AFTERMARKET

FITS: Kenworth cabover tractors using the three point mount system with one hydraulic latch centered on the rear cab support. **This unit does not fit non-sleeper cabs.**

Wt: 95 lbs. Wt. Added: 73 lbs.
Installation Time: 3-4 hours

NOTES:



PARTS LIST

1	1101-A043	AIR SPRING WITH ATTACHMENTS2
2	1202-0032	SHOCK ABSORBER2
3	1301-0020	HEIGHT CONTROL VALVE1
4	1302-1038	.25 TUBE SUPPORT7
5	1302-1083	UNION TEE, 1/4 TB1
6	1302-1105	ELBOW, 1/4 TB 1/8 M-NPT2
7	1302-0090	.25 AIRLINE (13.00)4.2'
8	1401-0816	1/4 X 2 UNC HEX CAP SCREW (GRADE 5)2
9	1401-1210	3/8 X 1 1/4 UNC HEX CAP SCREW (GRADE 5)8
10	1401-1608	1/2 X 1 UNC HEX CAP SCREW (GRADE 5)4
11	1401-1636	1/2 X 4 1/2 UNC HEX CAP SCREW (GRADE 5)2
12	1403-1418	7/16 X 2 1/4 UNF HEX CAP SCREW (GRADE 5)4
13	1435-1208	3/8 X 1 UNC RND HD SQ NK BOLT (GRADE 5)6
14	1470-1200	3/8 UNC HEX NUT (GRADE B)8
15	1470-1600	1/2 UNC HEX NUT (GRADE B)6
16	1476-0800	1/4 UNC HEX CENTER LOCK NUT (GRADE B)2
17	1476-1201	3/8 UNC HEX TOP LOCK NUT (GRADE C)4
18	1477-1400	7/16 UNF HEX CENTER LOCK NUT (GRADE B)4
19	1480-1201	3/8 UNC TOP LOCK FLANGE NUT (GRADE F)6
20	1485-1200	3/8 LOCK WASHER8
21	1487-1200	3/8 TYPE A PLAIN WASHER16
22	1500-0001	MOUNT PAD2
23	1500-0231	LINKAGE-VALVE, HEIGHT CONTROL (2.13)1
24	1500-0410	SHIFT PLATE PAD1
25	2500-0001	LOCK UP STRAP4
26	2500-1100	UNIT TOP1
27	2500-2100	LATCH PLATE1
28	2500-4000	UNIT BOTTOM VALVE SIDE1
29	2500-5000	UNIT BOTTOM NON-VALVE SIDE1
30	2505-2000	UNIT MOUNT2
31	2990-0501	4.25 HINGE ARM BOLT SUB-ASSEMBLY4
32	2990-0500	ARM-VALVE (4.00 STD)1
33	2992-2008	HINGE ARM, TYPE B (6.000)2
NS	1350-0000	KIT-PROTECTION, PRESSURE1