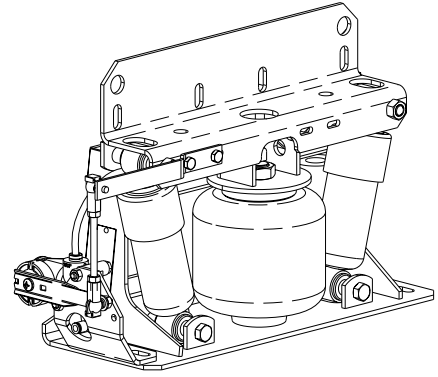


Cabmate

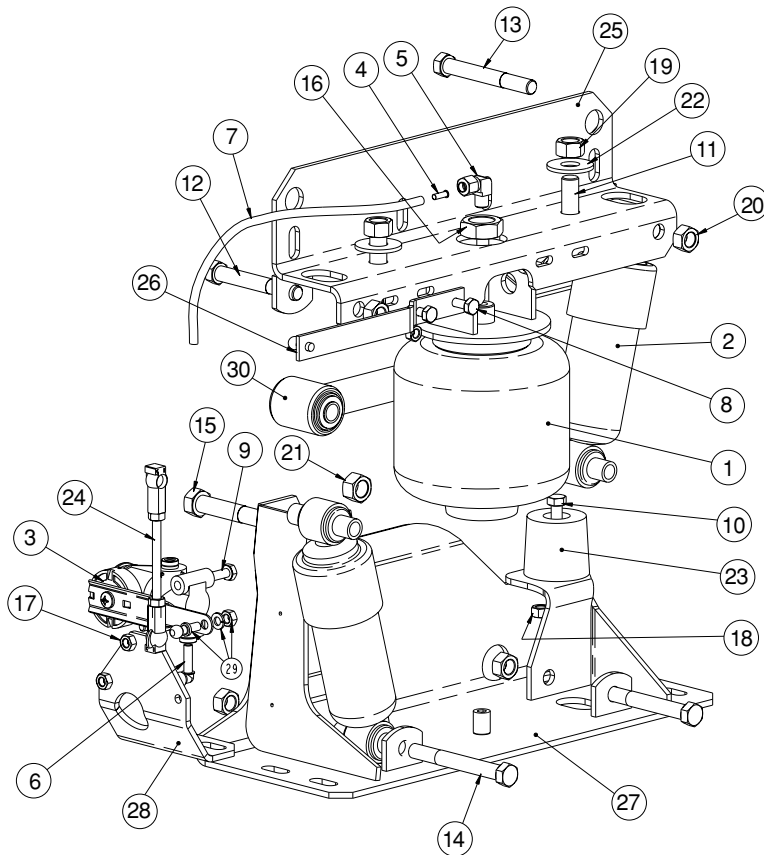
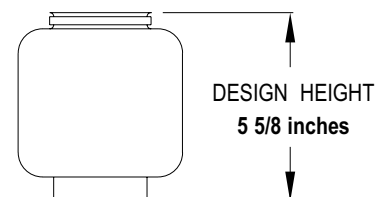


CABMATE MODEL IHC93-B 2476-B000 AFTERMARKET

FITS: Fits most International 9300 and 9400 Series conventionals, and 9900 Series conventionals spec'd for severe service. It also fits 9200 with Cummins and Caterpillar built before Jan. 1997. It replaces the original rear two-piece cab support, International part nos. 432364C1 and 598073C1.

Wt: 31 lbs. Wt. Added: 18 lbs.
Installation Time: 3-4 hours

NOTES:



PARTS LIST

1	1101-0040	SPRING-AIR1
2	1201-1043	SHOCK ABSORBER2
3	1350-0101	ASSEMBLY-HEIGHT CONTROL VALVE1
4	1302-1038	.25 TUBE SUPPORT1
5	1302-1105	ELBOW, 1/4 TB 1/8 M-NPT1
6	1302-5499	ELBOW, 1/4 TB 1/4 PTC, PUSH-IN DOT1
7	1302-0090	.25 AIRLINE1.1'
8	1401-0806	1/4 X 3/4 UNC HEX CAP SCREW (GRADE 5)2
9	1401-0814	1/4 X 1 3/4 UNC HEX CAP SCREW (GRADE 5)2
10	1401-1012	5/16 X 1 1/2 UNC HEX CAP SCREW (GRADE 5)1
11	1401-1610	1/2 X 1 1/4 UNC HEX CAP SCREW (GRADE 5)2
12	1403-1426	7/16 X 3 1/4 UNF HEX CAP SCREW (GRADE 5)1
13	1403-1428	7/16 X 3 1/2 UNF HEX CAP SCREW (GRADE 5)2
14	1403-1430	7/16 X 3 3/4 UNF HEX CAP SCREW (GRADE 5)1
15	1404-1624	1/2 X 3 UNF HEX CAP SCREW (GRADE 8)2
16	1475-2400	3/4 UNF JAM NUT1
17	1476-0800	1/4 UNC HEX CENTER LOCK NUT (GRADE B)4
18	1476-1000	5/16 UNC HEX CENTER LOCK NUT (GRADE B)1
19	1476-1600	1/2 UNC HEX CENTER LOCK NUT (GRADE B)2
20	1477-1400	7/16 UNF HEX CENTER LOCK NUT (GRADE B)4
21	1477-1601	1/2 UNF HEX TOP LOCK NUT (GRADE C)2
22	1487-1600	1/2 TYPE A PLAIN WASHER2
23	1500-0070	BUMPER-JOUNCE, 1.751
24	1500-0252	LINKAGE-VALVE, HEIGHT CONTROL (4.75)1
25	2476-1000	UNIT TOP1
26	2476-1011	TOP VALVE MOUNT ASSEMBLY1
27	2476-2100	UNIT BOTTOM1
28	2476-2208	MOUNT-VALVE1
29	2991-0026	KIT-PIVOT BALL1
30	2993-2006	LATERAL CONTROL ROD1
NS	1350-0000	KIT-PROTECTION, PRESSURE1

ford

freightliner

gmc

international

kenworth

mack
marron

peterbilt

sterling

volvo
western star