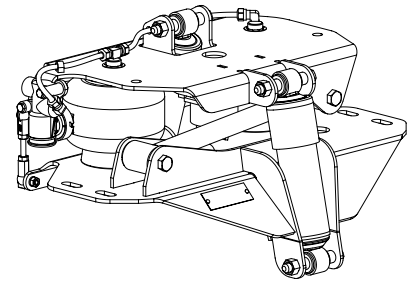
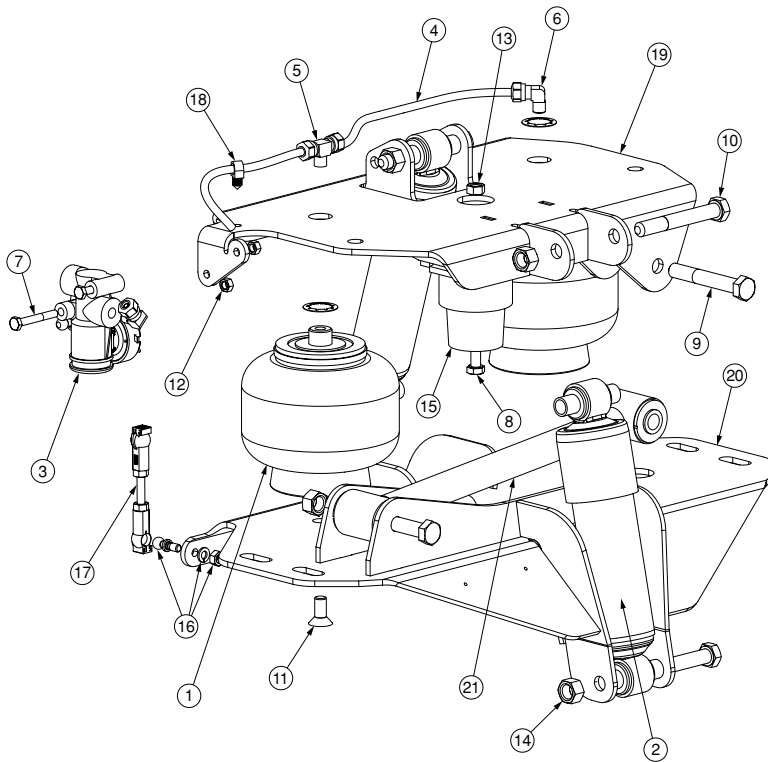


# Cabmate



CABMATE MODEL  
**IDC7345**  
**2455-A003** FACTORY  
**3540379C96** INT'L PRT NO.

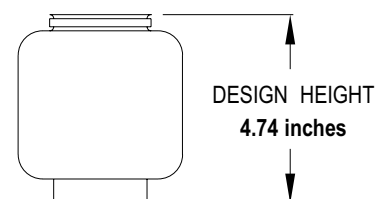
**FITS:** International 7300, 7400 & 7500 Series trucks with day cab or extended cabs.

Wt: 40.5 lbs.

## NOTES:

## PARTS LIST

1	1101-A031	AIR SPRING WITH ATTACHMENTS	2
2	1201-9008	SHOCK ABSORBER	2
3	1350-0114	ASSEMBLY-HEIGHT CONTROL VALVE	1
4	1302-0090	AIRLINE-NYLON, .250 O.D., BULK	1.63'
5	1302-4009	BRANCH TEE, 1/4 TB 1/8 M-NPT, DOT	1
6	1302-4035	ELBOW, 1/4 TB 1/8 M-NPT, DOT	2
7	1405-0609	HEX CAP SCREW, M6 X 1 X 45, CLASS 8.8	2
8	1405-0808	HEX CAP SCREW, M8 X 1.25 X 40, CLASS 8.8	1
9	1408-1216	HEX CAP SCREW, M12 X 1.25 X 80, CLASS 10.9	2
10	1408-1218	HEX CAP SCREW, M12 X 1.75 X 90, CLASS 10.9	4
11	1417-1207	3/8 X 7/8 UNC SOC FLAT CSK HD CAP SCREW	2
12	1476-0607	HEX TOP LOCK NUT, M6 X 1, CLASS 8	2
13	1476-0807	HEX TOP LOCK NUT, M8 X 1.25, CLASS 8	1
14	1477-1207	HEX TOP LOCK NUT, M12 X 1.25, CLASS 10	6
15	1500-0070	BUMPER-JOUNCE, 1.75	1
16	2991-0026	KIT-PIVOT BALL	2
17	1500-0240	LINKAGE-VALVE, HEIGHT CONTROL (3.25)	1
18	1500-0302	CLIP-LATCHING	1
19	2455-1012	BRACKET-MOUNT, CAB	1
20	2455-1013	BRACKET-MOUNT, CROSSMEMBER	1
21	2993-4001	LATERAL CONTROL ROD	1



ford

freightliner

gmc

international

kenworth

mack  
marron

peterbilt

sterling

volvo  
western star