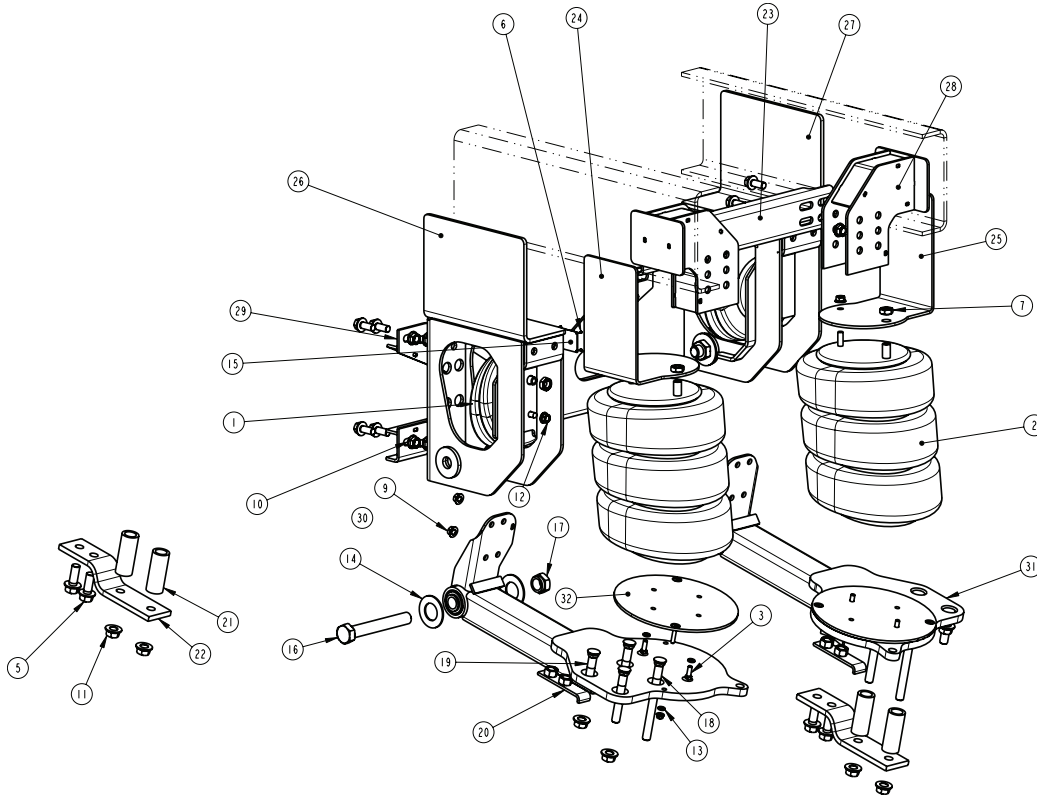


MODEL 6000 ROLLOFF SELF-STEER

Link Part Number: 8A000702



| ITEM | PART NO | PART DESCRIPTION | QTY |
|------|----------|---|-----|
| 1 | 11030002 | SPRING-AIR | 2 |
| 2 | 11030003 | SPRING-AIR | 2 |
| 3 | 14081208 | 3/8 X 1 UNC HEX CAP SCR (GR 8) O&P | 4 |
| 4 | 141A2012 | 5/8 X 1 1/2 UNC FLANG BOLT (GR 8) O&P | 12 |
| 5 | 141A2416 | 3/4 X 2 UNC FLANG BOLD (GR 8) O&P | 4 |
| 6 | 14550404 | #4 X 1/4 DRIVE SCREW..... | 4 |
| 7 | 14752402 | 3/4 UNF HEX JAM NUT O&P | 4 |
| 8 | 14801204 | 3/8 UNC TOP LOCK FL NUT (GR G) O&P..... | 4 |
| 9 | 14801204 | 1/2 UNC SERRATED FLANG NUT..... | 6 |
| 10 | 14802004 | 5/8 UNC TOP LOCK FL NUT (GR G) O&P..... | 12 |
| 11 | 14802404 | 3/4 UNC TOP LOCK FL NUT (GR G) O&P..... | 8 |
| 12 | 14811600 | 1/2 UNF SERRATED FLANG NUT | 2 |
| 13 | 14851200 | 3/8 LOCK WASHER | 8 |
| 14 | 14910002 | THRUST WASHER | 4 |
| 15 | 15001316 | PLATE-ID, HISTER | 1 |
| 16 | 15060003 | 1 1/8 X 8 UNC HEX CAP SCR (GRADE 8) | 2 |
| 17 | 15060005 | 1 1/8 UNC HEX TOP LOCK NUT, COLLAR STYLE..... | 2 |
| 18 | 15060305 | 3/4 X 8.50 UNC PLOW HEAD BOLT | 4 |
| 19 | 15060307 | 3/4 X 3.50 UNC PLOW HEAD BOLD | 4 |
| 20 | 80000005 | NUT-STRAP ASSEMBLY | 2 |
| 21 | 80000032 | SPACER-MOUNT, AXLE | 4 |
| 22 | 80000043 | STRAP-MOUNT, AXLE | 2 |
| 23 | 81000339 | CROSS MEMBER | 1 |
| 24 | 81000342 | PLATE-SPRING, RIDE..... | 1 |
| 25 | 81000343 | PLATE-SPRING, RIDE | 1 |
| 26 | 810A0081 | BRACKET-HANGER | 1 |
| 27 | 810A0082 | BRACKET-HANGER | 1 |
| 28 | 810A0084 | BRACKET-SUPPORT, RIDE SPRING..... | 2 |
| 29 | 810A0085 | CROSS MEMBER, K-BRACE | 1 |
| 30 | 820A0081 | ARM-SUSPENSION | 1 |
| 31 | 820A0082 | ARM-SUSPENSION | 1 |
| 32 | 830A0013 | PLATE-AIRSPRING | 2 |

