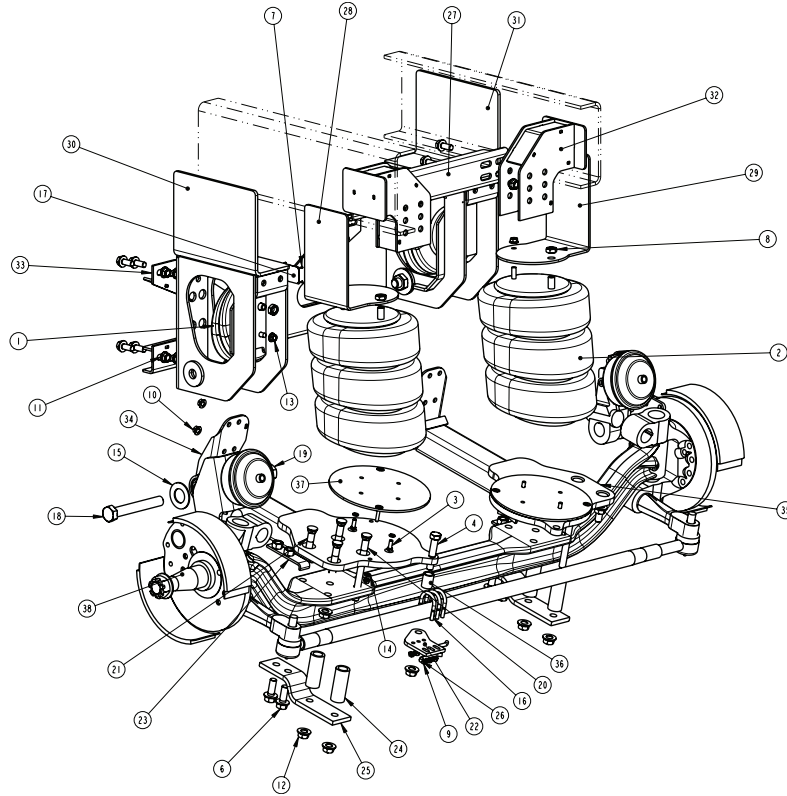


MODEL 6000 ROLLOFF SELF-STEER

Link Part Number: 8A000701



ITEM	PART NO	PART DESCRIPTION	QTY
1	11030002	SPRING-AIR	2
2	11030003	SPRING-AIR	2
3	14081208	3/8 X 1 UNC HEX CAP SCR (GR 8) O&P	4
4	140B2432	3/4 X 4 UNC HEX CAP SCR (GR 8) O&P	1
5	141A2012	5/8 X 1 1/2 UNC FLANG BOLD (GR 8) O&P	12
6	141A2416	3/4 X 2 YBC FLANGE BOLD (GR 8) O&P	4
7	14550404	#4 X 1/4 DRIVE SCREW	4
8	14752402	3/4 UNF HEX JAM NUT, O&P	4
9	14801204	3/8 UNC TOP LOCK FL NUT (GR G) O&P	10
10	14801600	1/2 YBC SERRATED FLANGE NUT	6
11	14802004	5/8 UNC TOP LOCK FL NUT (GR G) O&P	12
12	14802404	3/4 UNC TOP LOCK FL NUT (GR G) O&P	9
13	14811600	1/2 UNF SERRATED FLANGE NUT	2
14	14851200	3/8 LOCK WASHER	8
15	14910002	THRUST WASHER	8
16	14950003	U-BOLT, .38-16 UNC, 1.75 X 2.75	3
17	15001316	PLATE -ID, HISTER	1
18	15060003	1 1/8 X 8 UNC HEX CAP SCR, (GRADE 8)	2
19	15060005	1 1/8 UNC HEX TOP LOCK NUT, COLLAR STYLE	2
20	15060305	3/4 X 8.50 UNC PLOW HEAD BOLT	4
21	15060307	3/4 X 3.50 UNC PLOW HEAD BOLT	4
22	80000002	BRACKET-STABILIZER	1
23	80000005	NUT-STRAP ASSEMBLY	2
24	80000032	SPACER-MOUNT, AXLE	4
25	80000043	STRAP-MOUNT, AXLE	2
26	80000085	ROD-SUPPORT, STABILIZER	2
27	81000339	CROSS MEMBER	1
28	81000342	PLATE-SPRING, RIDE	1
29	81000343	PLATE-SPRING, RIDE	1
30	810A0081	BRACKET-HANGER	1
31	810A0082	BRACKET-HANGER	1
32	810A0084	BRACKET-SUPPORT, RIDE SPRING	2
33	810A0085	CROSS MEMBER, K-BRACE	1
34	820A0081	ARM-SUSPENSION	1
35	820A0082	ARM-SUSPENSION	1
36	83000063	TUBE-MAIN	1
37	830A0013	PLATE-AIRSPRING	2
38	840A0040	ASSEMBLY-AXLE	1

