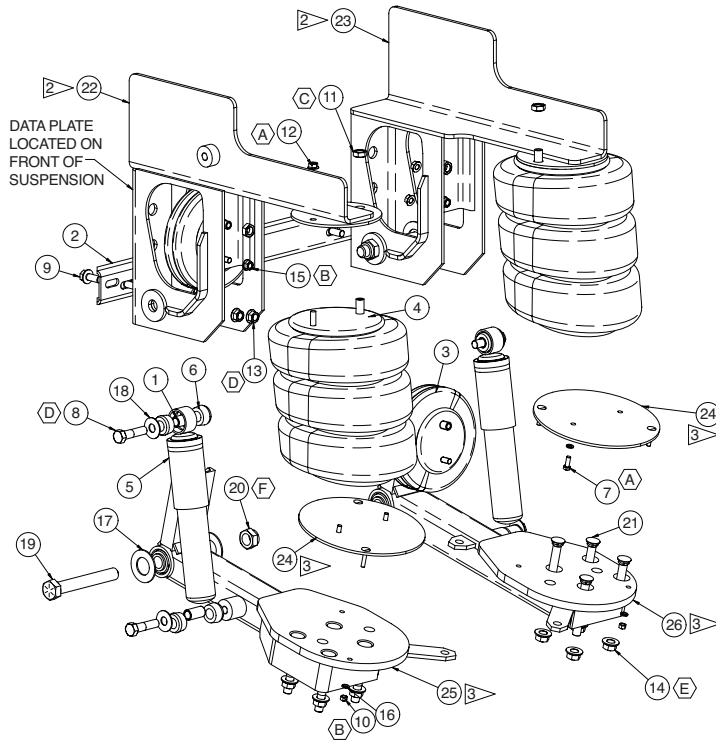


MODEL 6000 - 13.2K R-ARM SELF-STEER

11" - 14" Ride Height



ITEM	PART NO	PART DESCRIPTION	QTY
1	80000003	BUSHING-SHOCK, STEEL	4
2	80000025	CHANNEL-CROSSMEMBER.....	1
3	11030002	SPRING-AIR	2
4	11030003	SPRING-AIR	2
5	12100005	SHOCK ABSORBER (OPTIONAL)	2
6	12100028	BUSHING, SHOCK, POLY	8
7	140B1208	3/8 X 1 UNC HEX CAP SCREW, O&P (GR 8)	4
8	140B2424	3/4 X 3 UNC HEX CAP SCREW, O&P (GR 8)	4
9	141A2012	5/8 X 1 1/2 UNC FL BOLT, O&P, (GR 8)	4
10	14701200	3/8 UNC HEX NUT (GRADE B)	4
11	14752402	3/4 UNF HEX JAM NUT, O&P	4
12	14801600	1/2 UNC HEX SERRATED FL NUT.....	6
13	14802004	5/8 UNC TOP LOCK FL NUT, O&P	4
14	14802404	3/4 UNC TOP LOCK FL NUT, O&P.....	8
15	14811600	1/2 UNFT HEX SERRATED FL NUT	2
16	14851200	3/8 LOCK WASHER	8
17	14910002	THRUST WASHER	4
18	14916401	3/4 USS PLAIN WASHER.....	4
19	15060003	1 1/8 X 8 UNC HEX CAP SCR, (GRADE 8).....	2
20	15060005	1 1/8 UNC HEX TOP LOCK NUT, COLLAR STYLE.....	2
21	15060304	3/4 X 6.00 UNC PLOW HEAD BOLT	8
22	810A0021	BRACKET-6000 WELDMNT (LH FLUSH W/SB).....	1
23	810A0031	BRACKET-6000 WELDMNT (RH FLUSH W/SB)	1
24	820A0008	PLATE-AIR SPRING	2
25	820A1230	ARM-SUSPENSION (LRPBSSA).....	1
26	820A2238	ARM-SUSPENSION (RRXBSSA)	1
-	84001001	BUSHING.....	2

LINK PART NUMBERS:

- 8A000335
- 8A000357
- 8A000371
- 8A000605
- 8A000612
- 8A000616

IMPORTANT NOTES:

- 1) WHEN REPLACING BUSHINGS, THE WEAR WASHER, BOLT AND NUT MUST BE REPLACED AS WELL

2) DATE/SERIAL NO. 00130001

PRIOR TO DATE	AFTER DATE	JULIAN DAY CODE YEAR
PART NO. 810A0700	PART NO. 810A0021	BRKT (LH)
810A0800	810A0031	BRKT (RH)

3) DATE/SERIAL NO. 00306001

PRIOR TO DATE	AFTER DATE	JULIAN DAY CODE YEAR
PART NO. 820A2218	PART NO. 820A2238	SUS ARM (RH)
820A1210	820A1230	SUS ARM (LH)

PART NO 820A0008 WAS NOT INCLUDED WITH THIS SUSPENSION PRIOR TO THE DATE CODE NOTED

- 4) WHEN ORDERING NEW SUSP ARMS (820A2238 OR 820A1230), PART NO 820A0008 MUST BE ORDERED AS WELL

- A) 15-20 FT-LBS
- B) 20-30 FT-LBS
- C) 40-50 FT-LBS
- D) 185-235 FT-LBS
- E) 325-420 FT-LBS
- F) 750-1000 FT-LBS

- 5) STEERING STABILIZER KIT 800A0020 MAY BE NEEDED.

