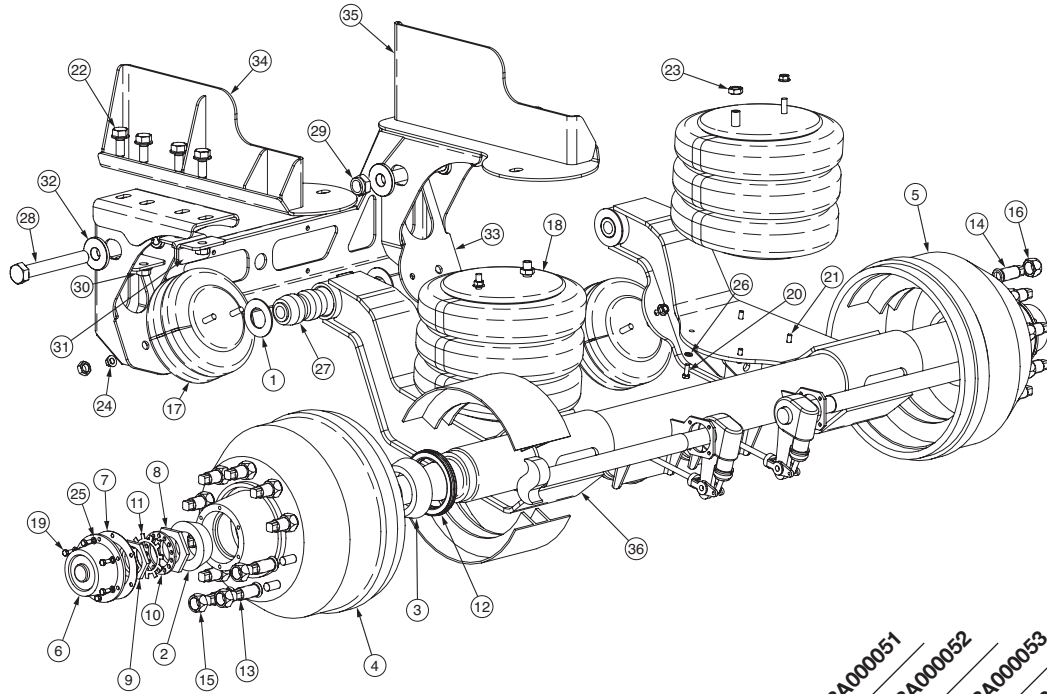


MODEL 5500 - 13K NON-STEER

Current



LINK PART NUMBERS:

- 8A000051
- 8A000052
- 8A000053
- 8A000054

REPLACEMENT KIT PART NUMBERS:

ARM BUSHING KIT:
800A0079

ITEM	PART NO	PART DESCRIPTION	QTY	QTY	QTY	QTY
1	80000087	THRUST WASHER.....	4	4	4	4
2	84001404	BEARING-ROLLER, CONE	2	2	2	2
3	84001405	BEARING-ROLLER, CONE	2	2	2	2
4	84001531	HUB & DRUM-BSN MNT, 16.5 X 7 R.....	1	1	1	1
5	84001532	HUB & DRUM-BSN MNT, 16.5 X 7 L.....	1	1	1	1
6	84001671	CAP, HUB.....	2	2	2	2
7	84001673	GASKET.....	2	2	2	2
8	84001674	NUT-SPINDLE, INNER.....	2	2	2	2
9	84001675	NUT-SPINDLE, OUTER.....	2	2	2	2
10	84001676	WASHER-LOCK.....	2	2	2	2
11	84001677	WASHER-STAR.....	2	2	2	2
12	84001679	SEAL-OIL.....	2	2	2	2
13	84001703	INNER CAP NUT, LONG RIGHT.....	10	10	10	10
14	84001704	INNER CAP NUT, LONG LEFT.....	10	10	10	10
15	84001707	NUT-CAP, 1 1/8 RH.....	10	10	10	10
16	84001708	NUT-CAP, 1 1/8 LH.....	10	10	10	10
17	11030019	SPRING-AIR.....	2	2	2	2
18	11030057	SPRING-AIR.....	1	1	1	1
19	14011006	5/16 X 3/4 UNC HEX CAP SCR (GR 5).....	12	12	12	12
20	140A1208	3/8 X 1 UNC HEX CAP SCR (GR 5) O&P.....	4	4	4	4
21	140A1251	3/8 X 6 1/2 UNC HEX CAP SCR (GR 5) O&P.....	4	4	4	4
22	141A2414	3/4 X 1 3/4 UNC FLANGE BOLT (GR 8) O&P.....	8	8	8	8
23	14752402	3/4 UNF HEX JAM NUT, O&P.....	4	4	4	4
24	14801604	1/2 UNC TOP LOCK FL NUT (GR G) O&P.....	6	6	6	6
25	14851000	5/16 LOCK WASHER.....	12	12	12	12
26	14851200	3/8 LOCK WASHER.....	8	8	8	8
27	15000870	BUSHING-PIVOT, RUBBER.....	2	2	2	2
28	15060021	1 1/8 X 8 UNF HEX CAP SCR, (GR 8).....	2	2	2	2
29	15060023	1 1/8 UNF HEX TOP LOCK NUT, COLLAR STYLE.....	2	2	2	2
30	800A0047	STRAP-FASTENER, MOUNT.....	2	2	2	2
31	800A0048	BRACKET-MOUNT, CAPTIVE.....	2	2	2	2
32	81000128	COLLAR, ALIGNMENT, STEEL.....	4	4	4	4
33	810A0073	BRACKET-MOUNT, HANGER.....	1	1	1	1
34	810A0074	BRACKET-MOUNT, FRAME.....	1	1	1	1
35	810A0075	BRACKET-MOUNT, FRAME.....	1	1	1	1
36	830A0021	ASSEMBLY-ARM, AXLE.....	1	-	-	-
36	830A0022	ASSEMBLY-ARM, AXLE.....	-	1	-	-
36	830A0023	ASSEMBLY-ARM, AXLE.....	-	-	1	-
36	830A0026	ASSEMBLY-ARM, AXLE.....	-	-	-	1

