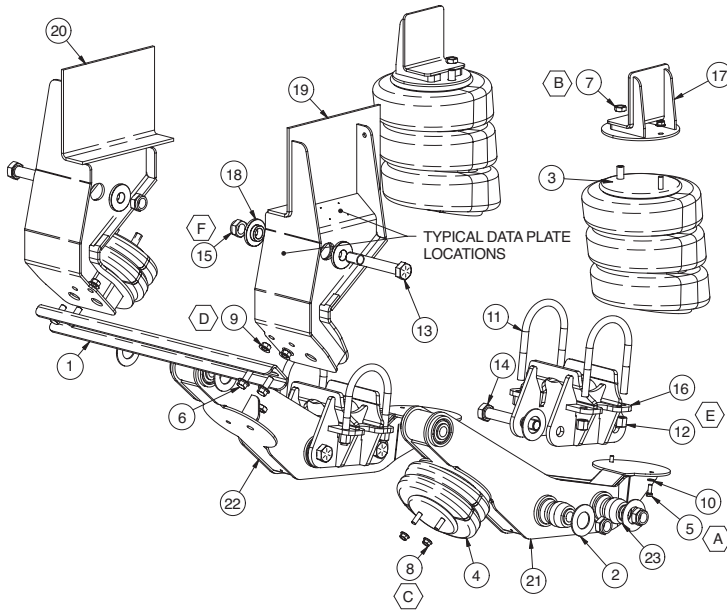


MODEL 5002 - 20K NON-STEER

9" - 11" Ride Height - Non-Current



ITEM	PART NO	PART DESCRIPTION	QTY
1	80000027	CROSSMEMBER	1
2	80000087	THRUST WASHER	12
3	11030003	SPRING-AIR	2
4	11030019	SPRING-AIR	2
5	14011208	3/8 X 1 UNC HEX CAP SCREW (GR 5).....	4
6	14112012	5/8 X 1 1/2 UNC FLANGE BOLT (GRADE 8).....	4
7	14752400	3/4 UNF JAM NUT.....	4
8	14801601	1/2 UNC TOP LOCK FL NUT (GR F).....	6
9	14802001	5/8 UNC TOP LOCK FL NUT (GR F).....	4
10	14851200	3/8 LOCK WASHER	4
11	14950006	U-BOLT, .75-16 UNF, 5.25 X 8.00.....	4
12	15060002	3/4 UNF HEX LONG NUT.....	8
13	15060021	1 1/8 X 8 UNF HEX CAP SCR, (GR 8).....	2
14	15060022	1 1/8 X 7 1/2 UNF HEX CAP SCR, GR 8	4
15	15060023	1 1/8 UNF HEX TOP LOCK NUT, COLLAR STYLE	6
16	800A0006	BRACKET-MOUNT, AXLE	2
17	800A0007	BRACKET-MOUNT, AIR SPRING.....	2
18	8100-0128	COLLAR, ALIGNMENT, STEEL	4
19	810A0013	BRACKET-MOUNT, HANGER.....	1
20	810A0014	BRACKET-MOUNT, HANGER.....	1
21	820A0003	ARM-SUSPENSION	1
22	820A0004	ARM-SUSPENSION	1
23	1500-0870	BUSHING-PIVOT, RUBBER	6

LINK PART NUMBERS:

8A000219-231	8A000272	8A000538
8A000233	8A000274	8A000541
8A000247	8A000276-283	8A000544
8A000251	8A000285	8A000546
8A000252	8A000287	8A000553
8A000253	8A000289	8A000555
8A000254	8A000290	8A000557
8A000256	8A000291	8A000257
8A000294-299	8A000259	8A000523
8A000260	8A000526	8A000261
8A000529	8A000263	8A000532
8A000266	8A000533	8A000268
8A000534	8A000271	8A000536
8A000512	8A000503-510	8A000514-515
8A000518-519	8A000560-561	

IMPORTANT NOTES:

1) WHEN REPLACING SUSP ARMS OR AXLE SEATS, THE CORRESPONDING BOLTS AND WEAR WASHERS MUST BE REPLACED AS WELL

- A) 15-20 FT-LBS
- B) 40-50 FT-LBS
- C) 20-30 FT-LBS
- D) 185-235 FT-LBS
- E) 750-1000 FT-LBS
- F) 230-300 FT-LBS

2) FOR THE BUSHING KIT
SEE 800A0078 PRIOR TO 00264001
SEE 800A0079 FOR AFTER 00264001

