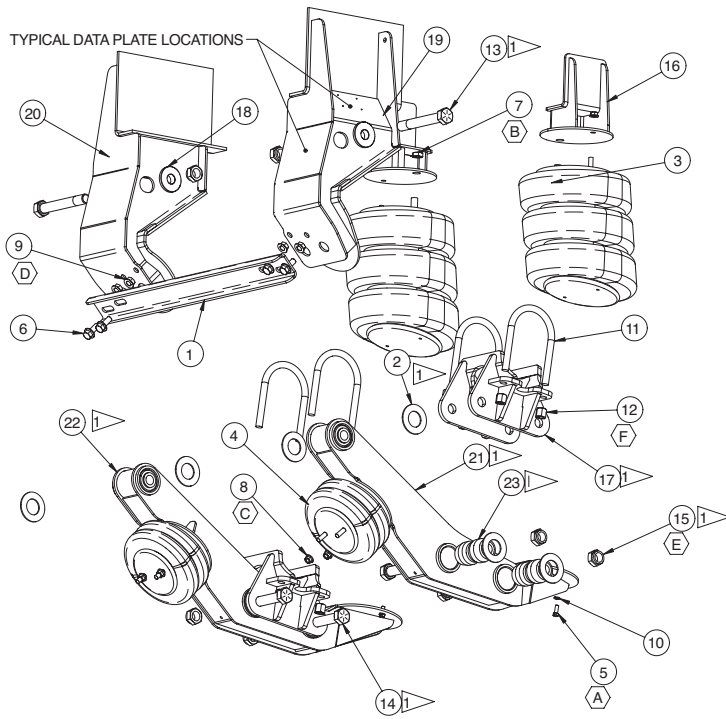


MODEL 5001 - 20K NON-STEER

11" - 13" Ride Height - Non-Current



| ITEM | PART NO | PART DESCRIPTION | QTY |
|------|-----------|--|-----|
| 1 | 80000027 | CROSSMEMBER | 1 |
| 2 | 80000087 | THRUST WASHER | 12 |
| 3 | 11030003 | SPRING-AIR | 2 |
| 4 | 11030019 | SPRING-AIR | 2 |
| 5 | 14011208 | 3/8 X 1 UNC HEX CAP SCREW (GR 5)..... | 4 |
| 6 | 14112012 | 5/8 X 1 1/2 UNC FLANGE BOLT (GRADE 8)..... | 4 |
| 7 | 14752400 | 3/4 UNF JAM NUT | 4 |
| 8 | 14801601 | 1/2 UNC TOP LOCK FL NUT (GR F)..... | 6 |
| 9 | 14802001 | 5/8 UNC TOP LOCK FL NUT (GR F)..... | 4 |
| 10 | 14851200 | 3/8 LOCK WASHER | 4 |
| 11 | 14950006 | U-BOLT, .75-16 UNF, 5.25 X 8.00 | 4 |
| 12 | 15060002 | 3/4 UNF HEX LONG NUT..... | 8 |
| 13 | 15060021 | 1 1/8 X 8 UNF HEX CAP SCR, (GR 8)..... | 2 |
| 14 | 15060022 | 1 1/8 X 7 1/2 UNF HEX CAP SCR, GR 8 | 4 |
| 15 | 15060023 | 1 1/8 UNF HEX TOP LOCK NUT, COLLAR STYLE | 6 |
| 16 | 800A0005 | BRACKET-MOUNT, AIR SPRING..... | 2 |
| 17 | 800A0006 | BRACKET-MOUNT, AXLE | 2 |
| 18 | 81000128 | COLLAR, ALIGNMENT, STEEL | 4 |
| 19 | 810A0011 | BRACKET-MOUNT, HANGER | 1 |
| 20 | 810A0012 | BRACKET-MOUNT, HANGER..... | 1 |
| 21 | 820A0003 | ARM-SUSPENSION | 1 |
| 22 | 820A0004 | ARM-SUSPENSION | 1 |
| 23 | 1500-0870 | BUSHING-PIVOT, RUBBER..... | 6 |

LINK PART NUMBERS:

| | | |
|--------------|----------|----------|
| 8A000176-187 | 8A000248 | 8A000288 |
| 8A000189 | 8A000250 | 8A000292 |
| 8A000190 | 8A000255 | 8A000511 |
| 8A000193 | 8A000258 | 8A000513 |
| 8A000197 | 8A000262 | 8A000516 |
| 8A000198 | 8A000264 | 8A000517 |
| 8A000203 | 8A000265 | 8A000520 |
| 8A000204 | 8A000269 | 8A000521 |
| 8A000206 | 8A000270 | 8A000524 |
| 8A000208-211 | 8A000273 | 8A000528 |
| 8A000214 | 8A000275 | 8A000531 |
| 8A000223 | 8A000284 | 8A000535 |
| 8A000232 | 8A000286 | 8A000537 |

IMPORTANT NOTES:

1) DATE/SERIAL NO. 00264001

JULIAN DAY CODE
YEAR

| PRIOR TO DATE | AFTER DATE |
|---------------|---------------------|
| PART NO. | PART NO. |
| 84001001 | 15000870 BUSHING |
| 14910002 | 80000087 WEAR WASHR |
| 820A0001 | 820A0003 SUSPEN ARM |
| 820A0002 | 820A0004 SUSPEN ARM |
| 80000090 | 800A0006 AXLE MOUNT |
| 15060003 | 15060021 BOLT |
| 15060004 | 15060022 BOLT |
| 15060005 | 15060023 NUT |

- 2) SUSP ARMS WITH BUSHING HOLES MEASURING 2.25" REQUIRE BUSHING PART NO. 84001001, 2.63" HOLES REQUIRE PART NO. 15000870
- 3) BUSHING PART NO. 84001001 MUST USE WEAR WASHER 14910002, BUSHING 15000870 MUST USE WEAR WASHER 80000087
- 4) PART NOS. 820A0003, 820A0004, 800A0006, 15060021, 15060022, AND 15060023 ARE SERVICE REPLACEMENT PARTS FOR 820A0001, 820A0002, 80000090, 15060003, 15060004, AND 15060005 RESPECTIVELY
- 5) WHEN REPLACING SUSP ARMS OR AXLE SEATS, THE CORRESPONDING BOLTS AND WEAR WASHERS MUST BE REPLACED AS WELL
 - A) 15-20 FT-LBS
 - B) 40-50 FT-LBS
 - C) 20-30 FT-LBS
 - D) 185-235 FT-LBS
 - E) 750-1000 FT-LBS
 - F) 230-300 FT-LBS
- 6) FOR THE BUSHING KIT SEE 800A0078 PRIOR TO 00264001 SEE 800A0079 FOR AFTER 00264001

