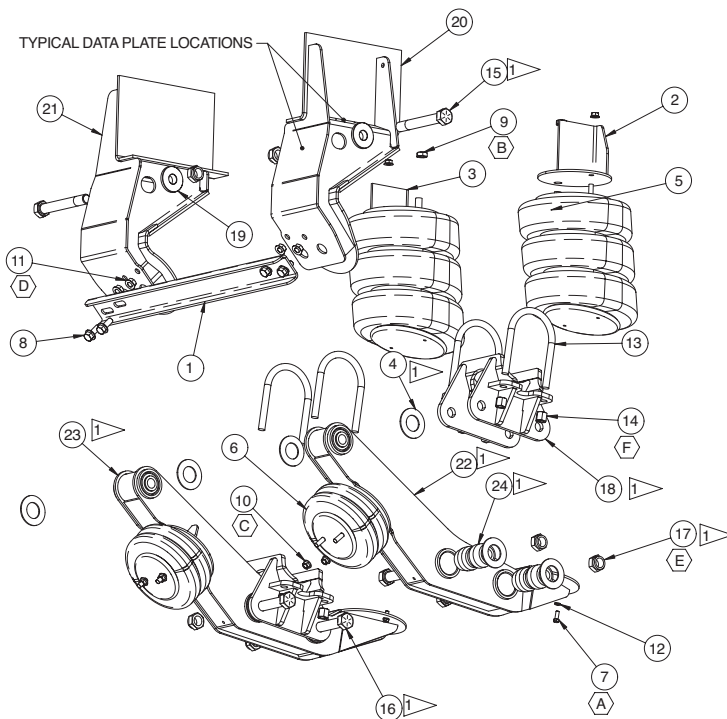


# MODEL 5000 - 20K NON-STEER

8" - 10" Ride Height - Non-Current



ITEM	PART NO	PART DESCRIPTION	QTY
1	80000027	CROSSMEMBER .....	1
2	80000072	BRACKET-MOUNT, AIR SPRING.....	1
3	80000073	BRACKET-MOUNT, AIR SPRING.....	1
4	80000087	THRUST WASHER .....	12
5	11030003	SPRING-AIR .....	2
6	11030019	SPRING-AIR .....	2
7	14011208	3/8 X 1 UNC HEX CAP SCREW (GR 5).....	4
8	14112012	5/8 X 1 1/2 UNC FLANGE BOLT (GRADE 8).....	4
9	14752400	3/4 UNF JAM NUT .....	4
10	14801601	1/2 UNC TOP LOCK FL NUT (GR F).....	6
11	14802001	5/8 UNC TOP LOCK FL NUT (GR F).....	4
12	14851200	3/8 LOCK WASHER .....	4
13	14950006	U-BOLT, .75-16 UNF, 5.25 X 8.00 .....	4
14	15060002	3/4 UNF HEX LONG NUT.....	8
15	15060021	1 1/8 X 8 UNF HEX CAP SCR, (GR 8).....	2
16	15060022	1 1/8 X 7 1/2 UNF HEX CAP SCR, GR 8 .....	4
17	15060023	1 1/8 UNF HEX TOP LOCK NUT, COLLAR STYLE .....	6
18	800A0006	BRACKET-MOUNT, AXLE .....	2
19	8100-0128	COLLAR, ALIGNMENT, STEEL.....	4
20	810A0007	BRACKET-MOUNT, HANGER.....	1
21	810A0008	BRACKET-MOUNT, HANGER.....	1
22	820A0003	ARM-SUSPENSION .....	1
23	820A0004	ARM-SUSPENSION .....	1
24	1500-0870	BUSHING-PIVOT, RUBBER.....	6

## LINK PART NUMBERS:

8A000101-175	8A000207
8A000188	8A000212
8A000191	8A000215
8A000192	8A000216
8A000194	8A000217
8A000195	8A000218
8A000196	8A000267
8A000199	8A000522
8A000200	8A000527
8A000201	8A000530
8A000202	8A000542
8A000205	8A000547

## IMPORTANT NOTES:

1) DATE/SERIAL NO. 00264001

JULIAN DAY CODE  
YEAR

PRIOR TO DATE	AFTER DATE
PART NO.	PART NO.
84001001	15000870 BUSHING
14910002	80000087 WEAR WASHR
820A0001	820A0003 SUSPEN ARM
820A0002	820A0004 SUSPEN ARM
80000090	800A0006 AXLE MOUNT
15060003	15060021 BOLT
15060004	15060022 BOLT
15060005	15060023 NUT

- 2) SUSP ARMS WITH BUSHING HOLES MEASURING 2.25" REQUIRE BUSHING PART NO. 84001001, 2.63" HOLES REQUIRE PART NO. 15000870
- 3) BUSHING PART NO. 84001001 MUST USE WEAR WASHER 14910002, BUSHING 15000870 MUST USE WEAR WASHER 80000087
- 4) PART NOS. 820A0003, 820A0004, 800A0006, 15060021, 15060022, AND 15060023 ARE SERVICE REPLACEMENT PARTS FOR 820A0001, 820A0002, 80000090, 15060003, 15060004, AND 15060005 RESPECTIVELY
- 5) WHEN REPLACING SUSP ARMS OR AXLE SEATS, THE CORRESPONDING BOLTS AND WEAR WASHERS MUST BE REPLACED AS WELL
  - Ⓐ 15-20 FT-LBS
  - Ⓑ 40-50 FT-LBS
  - Ⓒ 20-30 FT-LBS
  - Ⓓ 185-235 FT-LBS
  - Ⓔ 750-1000 FT-LBS
  - Ⓕ 230-300 FT-LBS
- 6) FOR THE BUSHING KIT SEE 800A0078 PRIOR TO 00264001 SEE 800A0079 FOR AFTER 00264001

