

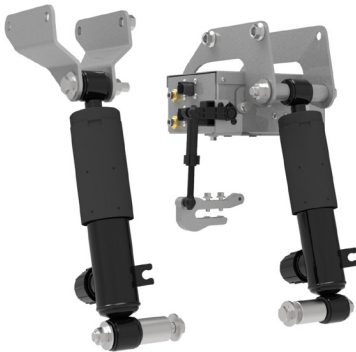
ROI Cabmate is a revolutionary cab suspension system that delivers an optimized ride regardless of road conditions. The intelligent system uses electronically controlled shocks to increase ride comfort, improve cab stability, and reduce noise and vibration. The unit will replace existing cab suspension shocks and requires ignition power and ground.

MOD CENTER or RETROFIT INSTALL

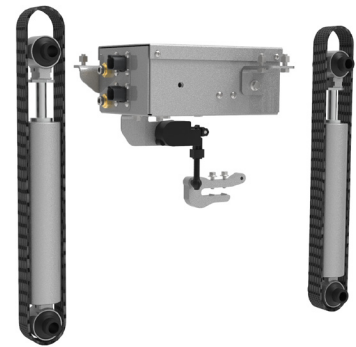
Make	Model	Cab Type	Year	Freightliner Dealer Network	Kenworth & Peterbilt Dealer Network
Freightliner	Cascadia	Sleeper	2019 & Newer	LML 26302010	26302010
International	LT Series	Sleeper	2017 & Newer	LML 26302020	26302020
Kenworth	T680, T880 & W990	Sleeper	2012 & Newer	LML 26302030	26302030
Peterbilt	567 & 579	Sleeper	2021 & Newer	LML 26302030	26302030
Volvo	VNR, VNL, VHD, VAH & VNX	Sleeper	2017 & Newer	LML 26302040	26302040



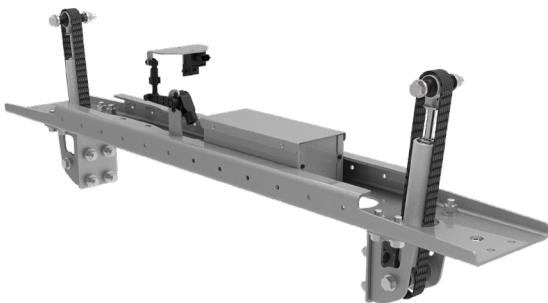
Freightliner - Cascadia



International - LT Series



Kenworth - T680, T880 & W990
Peterbilt - 567 & 579



Volvo - VNR, VNL, VHD, VAH & VNX

NOTE: VNR400: will not fit with 75-gallon fuel tank option. VNL860: requires minor modification for upper shock mount.