

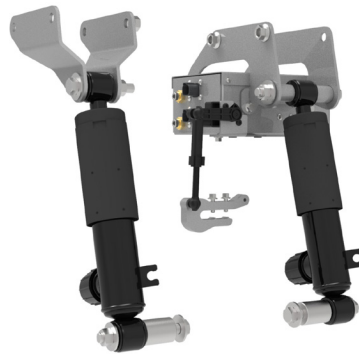
ROI Cabmate is a revolutionary cab suspension system that delivers an optimized ride regardless of road conditions. The intelligent system uses electronically controlled shocks to increase ride comfort, improve cab stability, and reduce noise and vibration. The unit will replace existing cab suspension shocks and requires ignition power and ground.

MOD CENTER or RETROFIT INSTALL

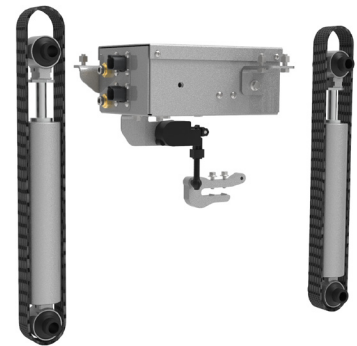
Make	Model	Cab Type	Year	Freightliner Dealer Network	Kenworth & Peterbilt Dealer Network
Freightliner	Cascadia	Sleeper	2019 & Newer	LML 26302010	26302010
International	LT Series	Sleeper	2017 & Newer	LML 26302020	26302020
Kenworth	T680, T880 & W990	Sleeper	2012 & Newer	LML 26302030	26302030
Peterbilt	567 & 579	Sleeper	2012 & Newer	LML 26302030	26302030
Volvo	VNR, VNL, VHD, VAH & VNX	Sleeper	2017 & Newer	LML 26302040	26302040



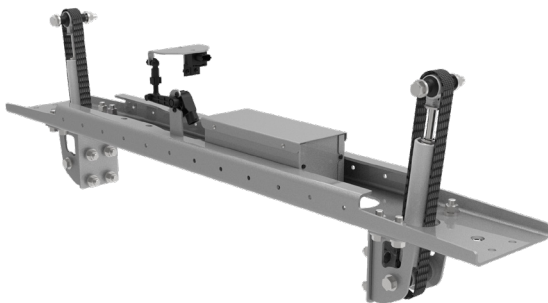
Freightliner - Cascadia



International - LT Series



Kenworth - T680, T880 & W990
Peterbilt - 567 & 579



Volvo - VNR, VNL, VHD, VAH & VNX

NOTE: VNR400: will not fit with 75-gallon fuel tank option. VNL860: requires minor modification for upper shock mount.

CONTACT US FOR MORE INFORMATION

ROI™ CABMATE®

SERVICE KITS

Description	Make	Part #
Accelerometer & Fasteners	All Makes	4CM00057
Airlines with Valves & Fittings	All Makes	4CM00055
Control Box, Wiring Harness & Fasteners	All Makes	4CM00054
Position Sensor, Pivot Ball & Fasteners	All Makes	4CM00056
Power Wiring Harness	All Makes	4CM00052
Shock Wiring Harness	All Makes	4CM00051
Linkage	Freightliner & PACCAR	29910050
Pivot Ball & Pivot Ball Clamp	Freightliner, International & PACCAR	4CM00058
Cab Bracket (Drivers Side)	Freightliner	4CM00068
Cab Bracket (Passenger Side)	Freightliner	4CM00067
Control Box Assembly	Freightliner	4CM00047
ECU	Freightliner	4CM00059
Shock Absorber Assembly	Freightliner	4CM00063
Cab Bracket (Drivers Side)	International	4CM00070
Cab Bracket (Passenger Side)	International	4CM00069
Control Box Assembly	International	4CM00048
ECU	International	4CM00060
Linkage	International	29910051
Shock Absorber Assembly	International	4CM00064
Cab Bracket	PACCAR	4CM00072
Control Box Assembly	PACCAR	4CM00049
Control Box Brackets & Fasteners	PACCAR	4CM00081
ECU	PACCAR	4CM00061
Position Sensor Bracket (Drivers Side)	PACCAR	4CM00075
Position Sensor Bracket (Passenger Side)	PACCAR	4CM00074
Shock Absorber Assembly	PACCAR	4CM00065
Support Bracket	PACCAR	4CM00073
Accelerometer & Linkage Assembly	Volvo	4CM00079
Accelerometer Mount Bracket	Volvo	4CM00078
Control Box Assembly	Volvo	4CM00050
ECU	Volvo	4CM00062
Frame Mount Bracket	Volvo	4CM00076
LCR & Air Spring Crossmember Channel	Volvo	4CM00077
Linkage	Volvo	4CM00080
Shock Absorber Assembly	Volvo	4CM00066
Wiring Harness (Extender)	Volvo	4CM00053

NOTE: VNR400: will not fit with 75-gallon fuel tank option. VNL860: requires minor modification for upper shock mount.

CONTACT US FOR MORE INFORMATION

1-800-222-6283

info@linkmfg.com

www.ROICabmate.com

LINK MFG. 2/20/23