

SPECIFICATIONS ORDER GUIDE SERVICE KITS AND PARTS

13.5K Auxiliary Suspension Air Disc Brake 13,500 LBS. CAPACITY



The Link 13.5K Auxiliary Suspension Air Disc Brake is a lightweight, 13,500 pound capacity, self-steering lift axle that incorporates several unique features. The patented, interchangeable ride height brackets allow the installer to manage inventory dollars and still have a lift axle available for almost any truck. The improved lift spring geometry of the Link 13.5K Auxiliary Suspension Air Disc Brake assures longer life of the lift springs and less downtime for the owner. The compact mounting envelope (22") combined with the integrated air control system (optional) saves valuable frame rail space. The separate ride height brackets and pre-plumbed integrated air control kit can save up to 3-5 hours of installation time.

*Link Mfg. Ltd.
223 15th St. N.E.
Sioux Center, IA USA
51250-2120
www.linkmfg.com*

**QUESTIONS?
CALL CUSTOMER
SERVICE
1-800-222-6283**

SUSPENSION-AXLE, UNITIZED (BASE UNIT)

- 8A000754 AUXILIARY SUSPENSION, 13.5K
- 8A000755 AUXILIARY SUSPENSION, 13.5K INTEGRATED AIR

FRAME BRACKET KITS, (CHOOSE ONE)

STANDARD FRAME BRACKETS

- 8A000410 8 - 10 1/2" RIDE HEIGHT (NO SPACER)
- 8A000411 10 - 12 1/2" RIDE HEIGHT (2" SPACER)
- 8A000412 12 - 14 1/2" RIDE HEIGHT (4" SPACER)
- 8A000413 14 - 16 1/2" RIDE HEIGHT (6" SPACER)

TALL FRAME BRACKETS

- 8A000414 8 - 10 1/2" RIDE HEIGHT
- 8A000415 10 - 12 1/2" RIDE HEIGHT
- 8A000416 12 - 14 1/2" RIDE HEIGHT
- 8A000417 14 - 16 1/2" RIDE HEIGHT

AIR CONTROL KITS FOR INTEGRATED SUSPENSIONS (CHOOSE ONE)

- 13501023 CONTROL-INTEGRATED-STANDARD
- 13501024 CONTROL-INTEGRATED-SEALED

OPTIONAL AIR CONTROL KITS FOR NON-INTEGRATED SUSPENSION (CHOOSE ONE)

- 13501025 CONTROL-NON-INTEGRATED-STANDARD
- 13501026 CONTROL-NON-INTEGRATED-SEALED

OPTIONAL KITS

- 800A0210 KIT-MOUNT, SHOCK ABSORBER
- 800A0032 FASTENER KIT 2" FASTENERS
- 800A0305 FASTENER KIT 2 1/2" FASTENERS"
- 13501016 RATIO RELAY VALVE KIT
- 800A0212 REVERSE LOCK KIT (CUSTOMER / UPFITTER INSTALLED)
- 13501027 KIT-AIR TANK

OPTIONAL FENDER KITS (CHOOSE ONE)

- 800A0211 KIT-FENDER, 13.5K ADB
- 80002601 FENDER-PAIR, ALUM, 12" WIDE, LOW PROFILE
- 80002602 FENDER-PAIR, SS, 12" WIDE, LOW PROFILE
- 80002603 FENDER-PAIR, ALUM, 12" WIDE
- 80002604 FENDER-PAIR, SS, 12" WIDE
- 80002605 FENDER-PAIR, POLY, 12" WIDE, LOW PROFILE

To order your Link 13.5K Auxiliary Suspension Air Disc Brake, use the order form on page 2 of this document to assist with your specific selections.

1. Order the Base Unit.
2. Order the Ride Height Bracket Kit.
 - a) Determine the Loaded Tire Radius on the chart below.
 - b) Subtract Loaded Tire Radius from Loaded Frame Height to find correct ride height.

Loaded Frame Height - Loaded Tire Radius = Ride Height

- c) Select the correct Ride Height Bracket part number from the chart from page 5 or 6 depending on your application.
4. Choose the desired Air Control Kit.
5. Select any additional Optional Equipment.
6. Call your Link Manufacturing Sales representative at the number below to place your order.

TUBE TYPE	TUBELESS	ISO (METRIC)	LOADED TIRE RADIUS	DIAMETER
8.25R15	8.5R17.5	225/70R19.5	15	32.9
	9R17.5	245/70R19.5	15.5	33.1
	10R17.5		15.5	33.9
	8R19.5		16	34
10.00R15			16.5	35.8
7.50R20	8R22.5	255/70R22.5	17	36.5
	11R17.5	245/75R22.5	17	36.6
8.25R20	9R22.5	235/80R22.5	17.5	37.8
		255/75R22.5	17.5	37.7
		255/80R22.5	18	38.4
		265/75R22.5	18	38.2
		295/70R22.5	18.2	38.7
9.00R20	10R22.5	295/75R22.5	18.5	40.2
		275/80R22.5	19	40.4
	11R22.5	295/80R22.5	19.5	41.9
10.00R20		445/65R19.5	19.5	42.6
		285/75R24.5	19.5	42.7
		315/80R22.5	19.9	42.8
		385/65R22.5	19.5	42.3
		275/80R24.5	19.5	41.3
11.00R20	12R22.5		20	42.8
10.00R22	13R22.5	425/65R22.5	20.5	44.5
12.00R20	11R24.5		20.5	44
11.00R22	12R24.5	445/65R22.5	21	45
12.00R22			21.5	46
13.00R20	13R24.5		21.5	46.3

QUICK SPECS

MODEL: 13.5K

TYPE: SELF-STEER

WEIGHT: 1018 LBS

CAPACITY: 13,500 LBS

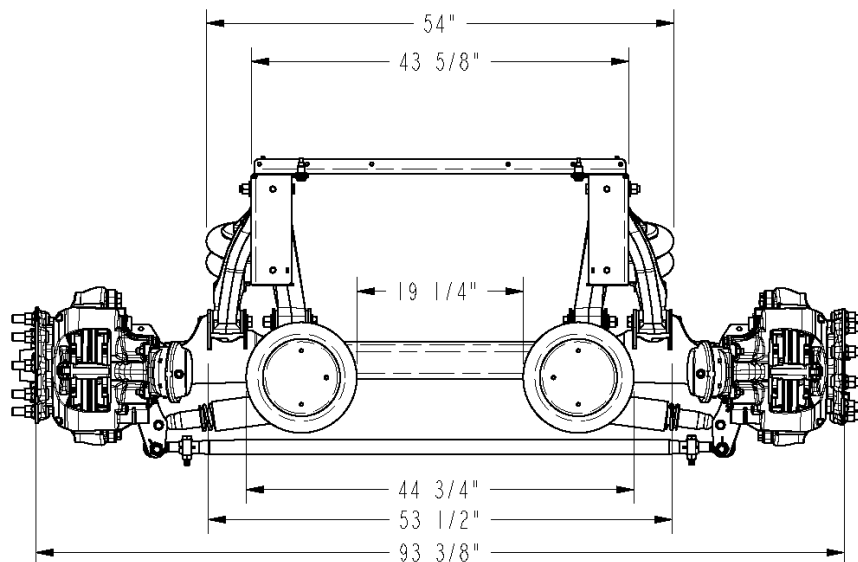
TRAVEL: 13"

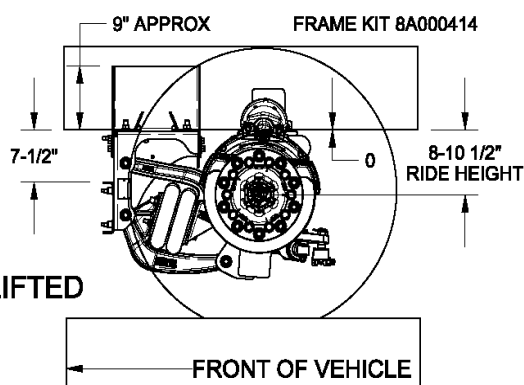
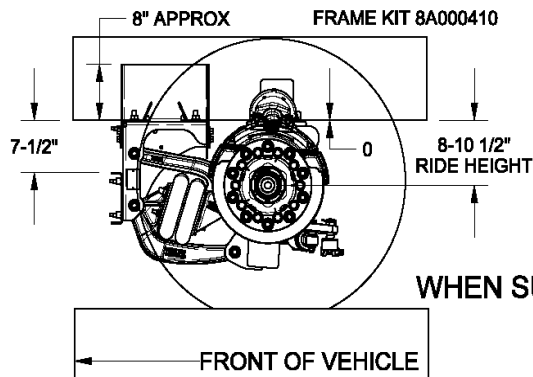
LIFT: 7 - 9 1/2"

RIDE HEIGHT: 8 - 16 1/2"

ENVELOPE: 22"

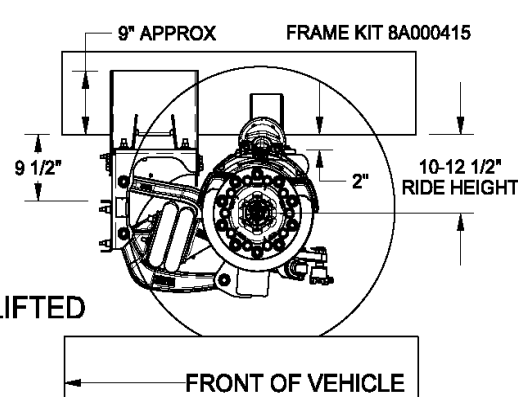
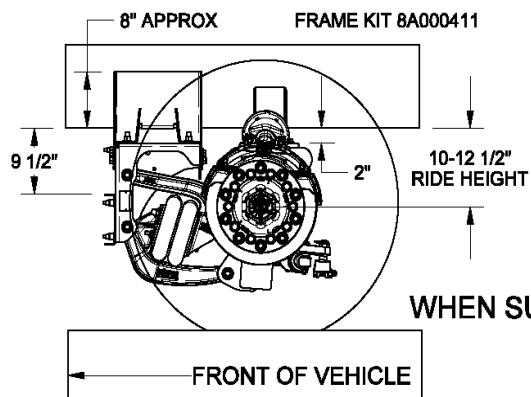
FRAME WIDTH: 33 1/2 - 35"





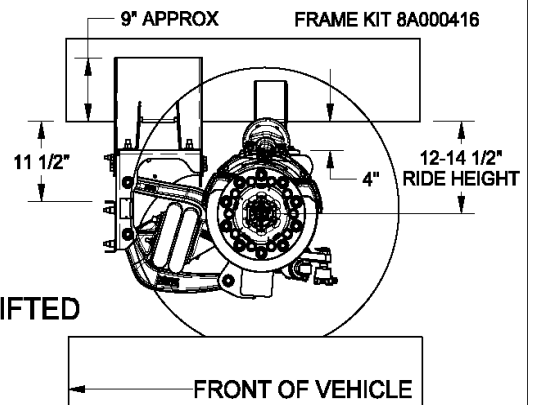
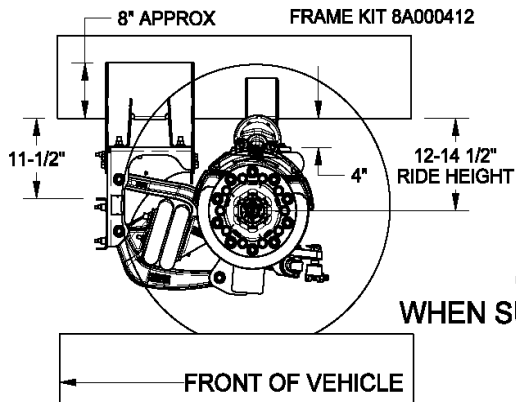
**AXLE DRIVE LINE
CLEARANCE - 6 1/2"
WHEN SUSPENSION IS FULLY LIFTED**

13.5K LIFT CHART	RIDE HEIGHT 8-10 1/2" (FRAME MOUNT KIT 8A000410 OR 8A000414)																	
LOADED FRAME HEIGHT	23"	23 1/2"	24"	24 1/2"	25"	25 1/2"	26"	26 1/2"	27"	27 1/2"	28"	28 1/2"	29"	29 1/2"	30"	30 1/2"	31"	31 1/2"
TIRE RADIUS																		
15" (LOADED)	7"	7 1/2"	8"	8 1/2"	9"	9 1/2"												
16" (LOADED)			7"	7 1/2"	8"	8 1/2"	9"	9 1/2"										
17" (LOADED)					7"	7 1/2"	8"	8 1/2"	9"	9 1/2"								
18" (LOADED)							7"	7 1/2"	8"	8 1/2"	9"	9 1/2"						
19" (LOADED)									7"	7 1/2"	8"	8 1/2"	9"	9 1/2"				
20" (LOADED)											7"	7 1/2"	8"	8 1/2"	9"	9 1/2"		
21" (LOADED)													7"	7 1/2"	8"	8 1/2"	9"	9 1/2"



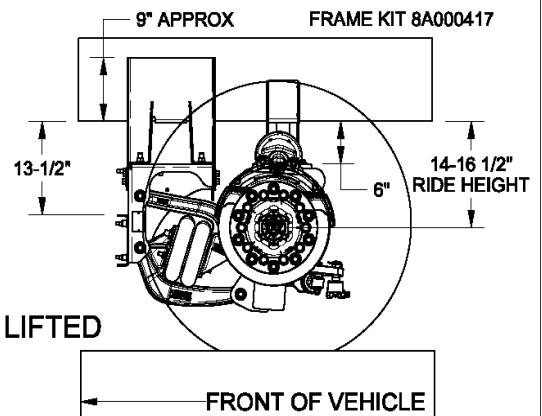
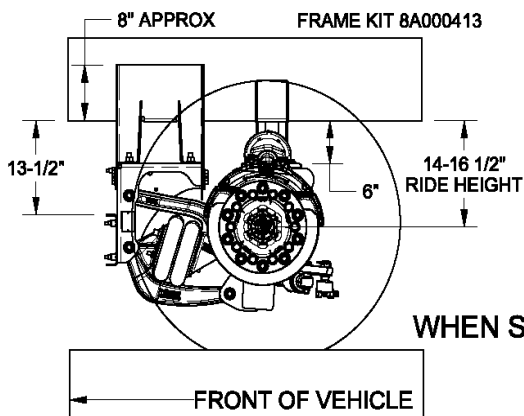
**AXLE DRIVE LINE
CLEARANCE - 8 1/2"
WHEN SUSPENSION IS FULLY LIFTED**

13.5K LIFT CHART	RIDE HEIGHT 10-12 1/2" (FRAME MOUNT KIT 8A000411 OR 8A000415)																	
LOADED FRAME HEIGHT	25"	25 1/2"	26"	26 1/2"	27"	27 1/2"	28"	28 1/2"	29"	29 1/2"	30"	30 1/2"	31"	31 1/2"	32"	32 1/2"	33"	33 1/2"
TIRE RADIUS																		
15" (LOADED)	7"	7 1/2"	8"	8 1/2"	9"	9 1/2"												
16" (LOADED)			7"	7 1/2"	8"	8 1/2"	9"	9 1/2"										
17" (LOADED)					7"	7 1/2"	8"	8 1/2"	9"	9 1/2"								
18" (LOADED)							7"	7 1/2"	8"	8 1/2"	9"	9 1/2"						
19" (LOADED)									7"	7 1/2"	8"	8 1/2"	9"	9 1/2"				
20" (LOADED)											7"	7 1/2"	8"	8 1/2"	9"	9 1/2"		
21" (LOADED)													7"	7 1/2"	8"	8 1/2"	9"	9 1/2"



**AXLE DRIVE LINE
CLEARANCE - 10 1/2"
WHEN SUSPENSION IS FULLY LIFTED**

13.5K LIFT CHART	RIDE HEIGHT 12-14 1/2" (FRAME MOUNT KIT 8A000412 OR 8A000416)																	
LOADED FRAME HEIGHT	27"	27 1/2"	28"	28 1/2"	29"	29 1/2"	30"	30 1/2"	31"	31 1/2"	32"	32 1/2"	33"	33 1/2"	34"	34 1/2"	35"	35 1/2"
TIRE RADIUS																		
15" (LOADED)	7"	7 1/2"	8"	8 1/2"	9"	9 1/2"												
16" (LOADED)			7"	7 1/2"	8"	8 1/2"	9"	9 1/2"										
17" (LOADED)					7"	7 1/2"	8"	8 1/2"	9"	9 1/2"								
18" (LOADED)							7"	7 1/2"	8"	8 1/2"	9"	9 1/2"						
19" (LOADED)									7"	7 1/2"	8"	8 1/2"	9"	9 1/2"				
20" (LOADED)											7"	7 1/2"	8"	8 1/2"	9"	9 1/2"		
21" (LOADED)													7"	7 1/2"	8"	8 1/2"	9"	9 1/2"



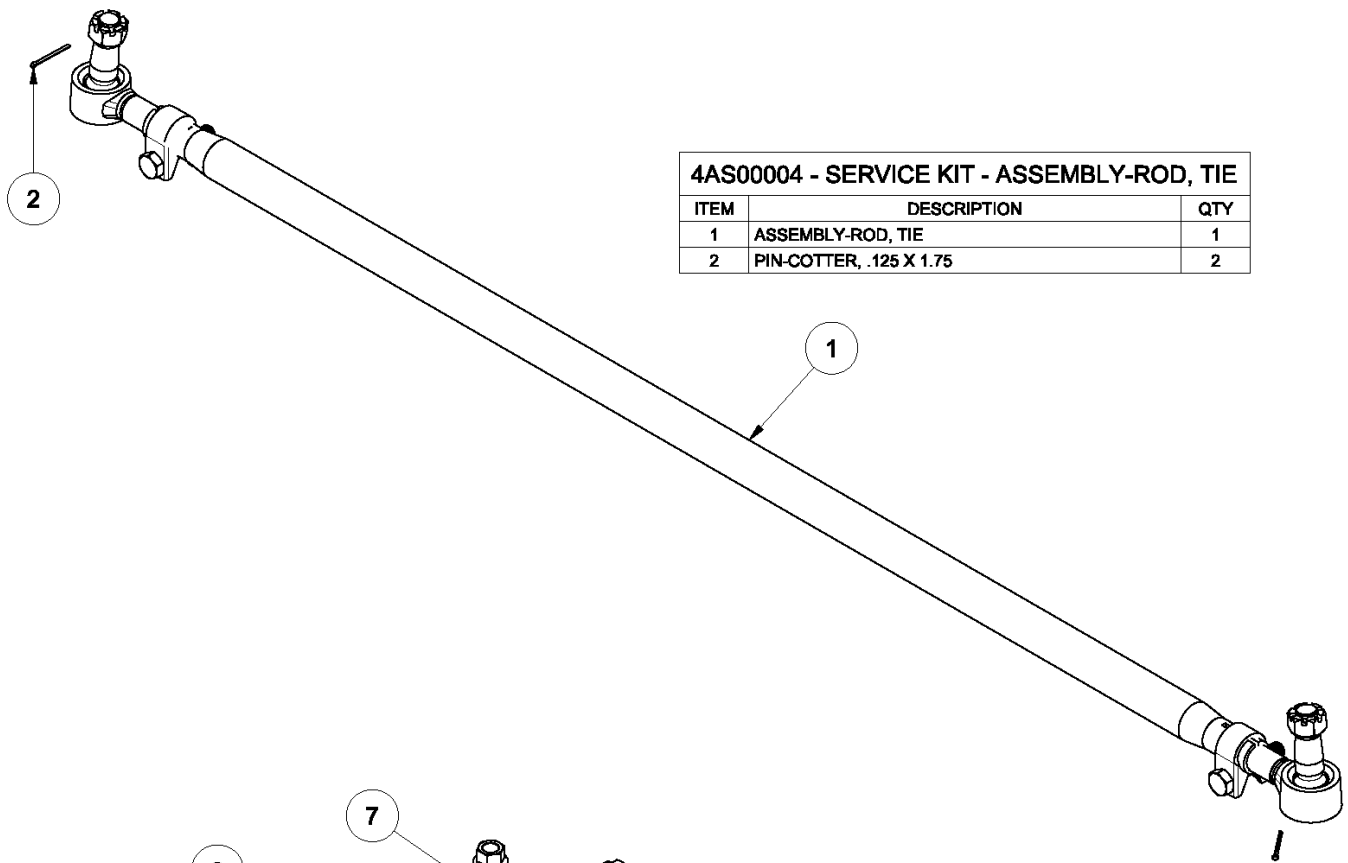
**AXLE DRIVE LINE
CLEARANCE - 12 1/2"
WHEN SUSPENSION IS FULLY LIFTED**

13.5K LIFT CHART	RIDE HEIGHT 14-16 1/2" (FRAME MOUNT KIT 8A000413 OR 8A000417)																	
LOADED FRAME HEIGHT	29"	29 1/2"	30"	30 1/2"	31"	31 1/2"	32"	32 1/2"	33"	33 1/2"	34"	34 1/2"	35"	35 1/2"	36"	36 1/2"	37"	37 1/2"
TIRE RADIUS																		
15" (LOADED)	7"	7 1/2"	8"	8 1/2"	9"	9 1/2"												
16" (LOADED)			7"	7 1/2"	8"	8 1/2"	9"	9 1/2"										
17" (LOADED)					7"	7 1/2"	8"	8 1/2"	9"	9 1/2"								
18" (LOADED)							7"	7 1/2"	8"	8 1/2"	9"	9 1/2"						
19" (LOADED)									7"	7 1/2"	8"	8 1/2"	9"	9 1/2"				
20" (LOADED)											7"	7 1/2"	8"	8 1/2"	9"	9 1/2"		
21" (LOADED)													7"	7 1/2"	8"	8 1/2"	9"	9 1/2"

SERVICE ITEMS FOR 13.5K AUXILIARY SUSPENSION ADB

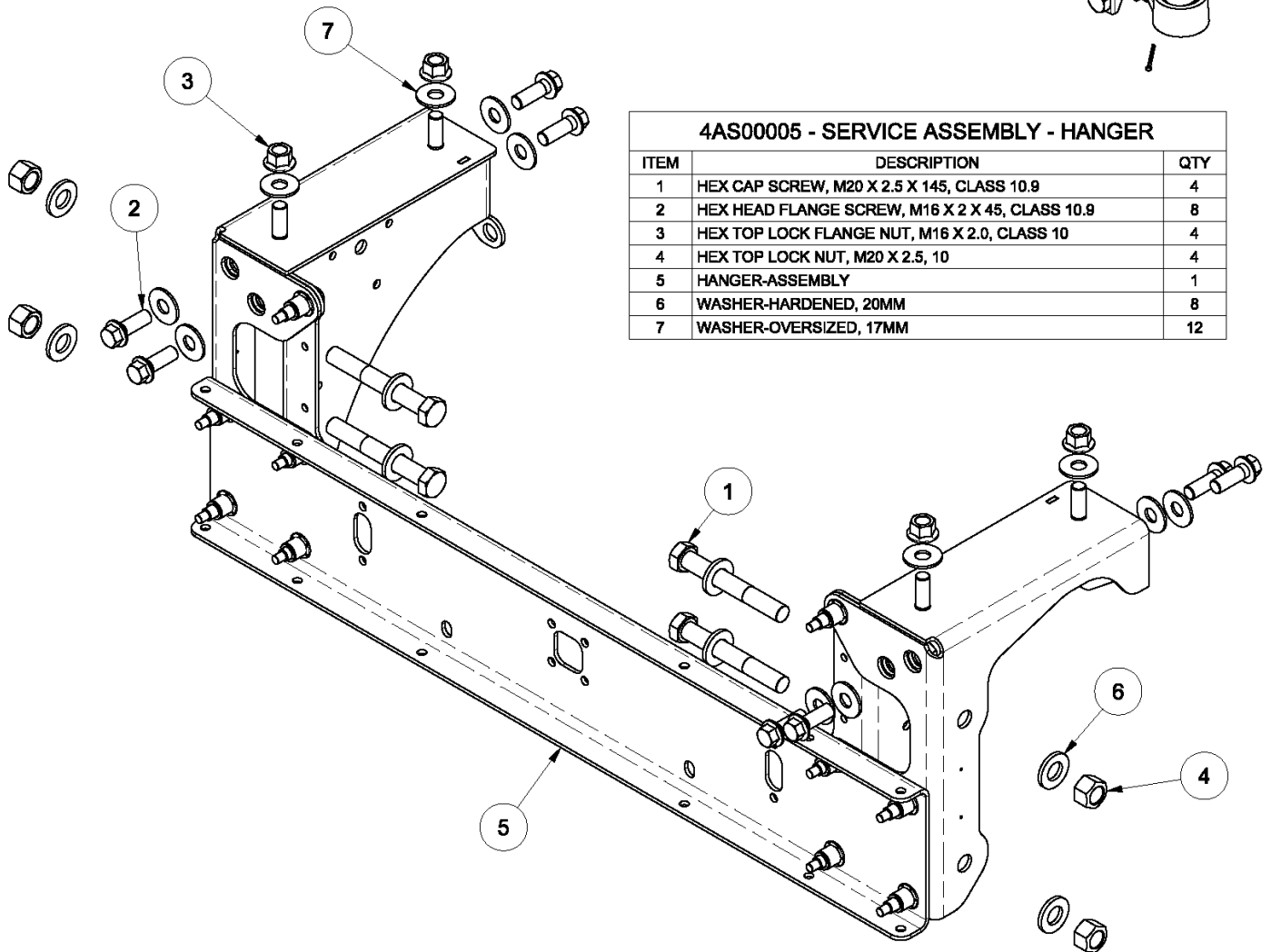
ITEM NUMBER	DESCRIPTION
4AS00004	SERVICE KIT - ASSEMBLY-ROD, TIE
4AS00005	SERVICE ASSEMBLY - HANGER
4AS00009	SERVICE KIT - TIE ROD END (LH THREAD)
4AS00010	SERVICE KIT - TIE ROD END (RH THREAD)
4AS00011	SERVICE KIT - ASSEMBLY TUBE-TIE ROD
4AS00012	SERVICE KIT - COMPLETE BUSHING
4AS00013	SERVICE KIT - UPPER ARM-LH
4AS00014	SERVICE KIT - UPPER ARM-RH
4AS00015	SERVICE KIT - LOWER ARM-LH
4AS00016	SERVICE KIT - LOWER ARM-RH
4AS00022	SERVICE KIT - STEERING STOP BOLT
4AS00023	SERVICE KIT - COMPLETE STEERING STABILIZER
4AS00029	SERVICE KIT - HUB CAP ASSEMBLY
4AS00032	SERVICE KIT - LIFT SPRING
4AS00033	SERVICE KIT - LOAD SPRING
4AS00038	SERVICE ASSEMBLY - AXLE-FABRICATED
4AS00049	SERVICE KIT - WHEEL NUT
4AS00084	SERVICE KIT - COMPLETE RIDE SHOCK
4AS00085	SERVICE ASSEMBLY - KNUCKLE-MACHINED-LH
4AS00086	SERVICE ASSEMBLY - KNUCKLE-MACHINED-RH
4AS00087	SERVICE KIT - COMPLETE KINGPIN
4AS00088	SERVICE KIT - COMPLETE BRAKE BOLT

Kits and Parts listed above are shown on the following pages.



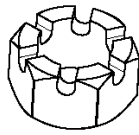
4AS00004 - SERVICE KIT - ASSEMBLY-ROD, TIE

ITEM	DESCRIPTION	QTY
1	ASSEMBLY-ROD, TIE	1
2	PIN-COTTER, .125 X 1.75	2



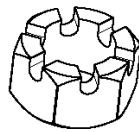
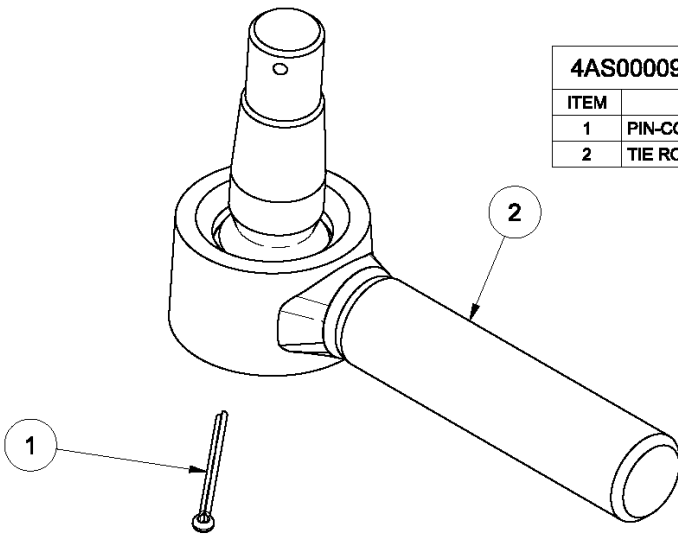
4AS00005 - SERVICE ASSEMBLY - HANGER

ITEM	DESCRIPTION	QTY
1	HEX CAP SCREW, M20 X 2.5 X 145, CLASS 10.9	4
2	HEX HEAD FLANGE SCREW, M16 X 2 X 45, CLASS 10.9	8
3	HEX TOP LOCK FLANGE NUT, M16 X 2.0, CLASS 10	4
4	HEX TOP LOCK NUT, M20 X 2.5, 10	4
5	HANGER-ASSEMBLY	1
6	WASHER-HARDENED, 20MM	8
7	WASHER-OVERSIZED, 17MM	12



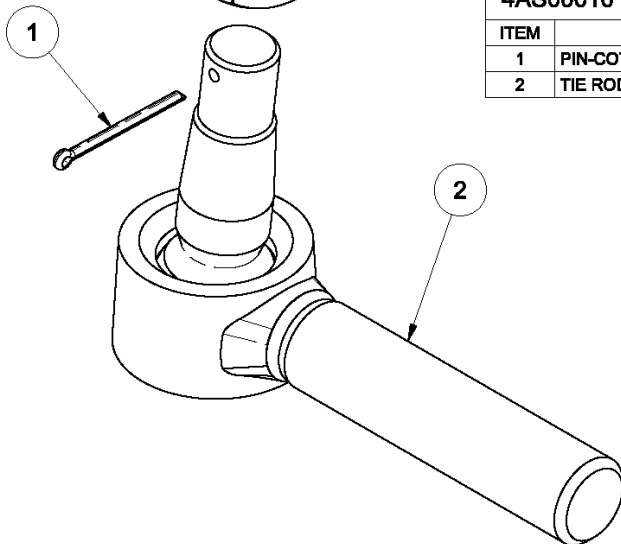
4AS00009 - SERVICE KIT - TIE ROD END (LH THREAD)

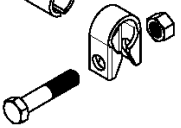
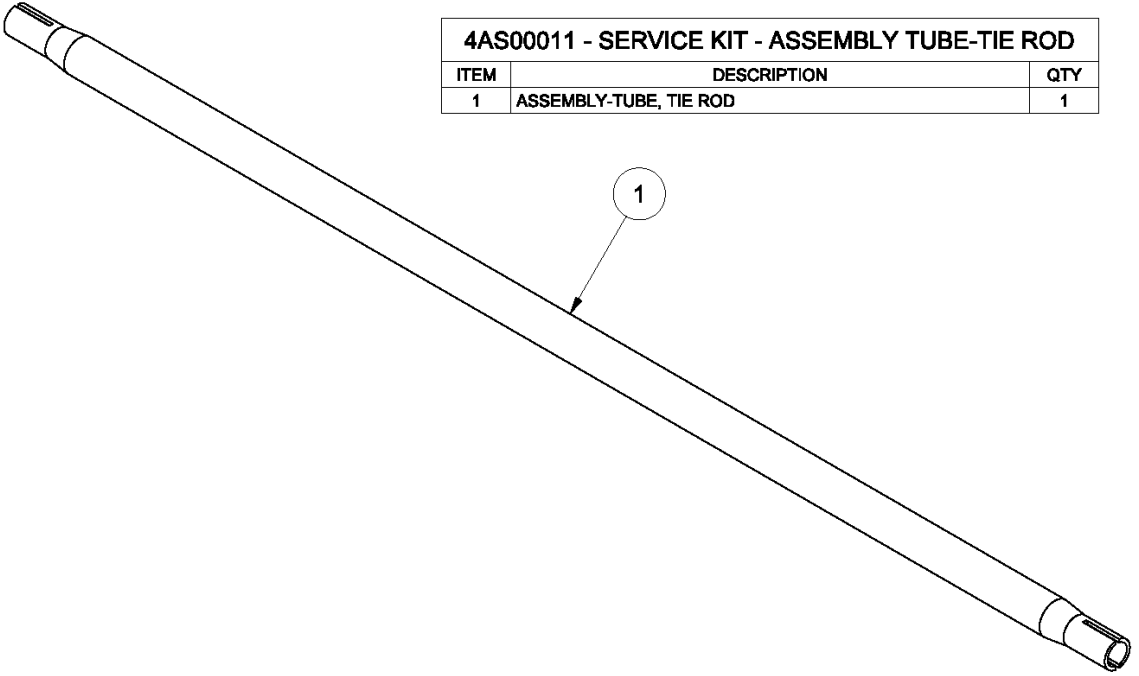
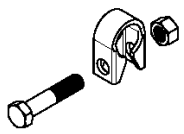
ITEM	DESCRIPTION	QTY
1	PIN-COTTER, .125 X 1.75	1
2	TIE ROD END ASSM. (LH)	1



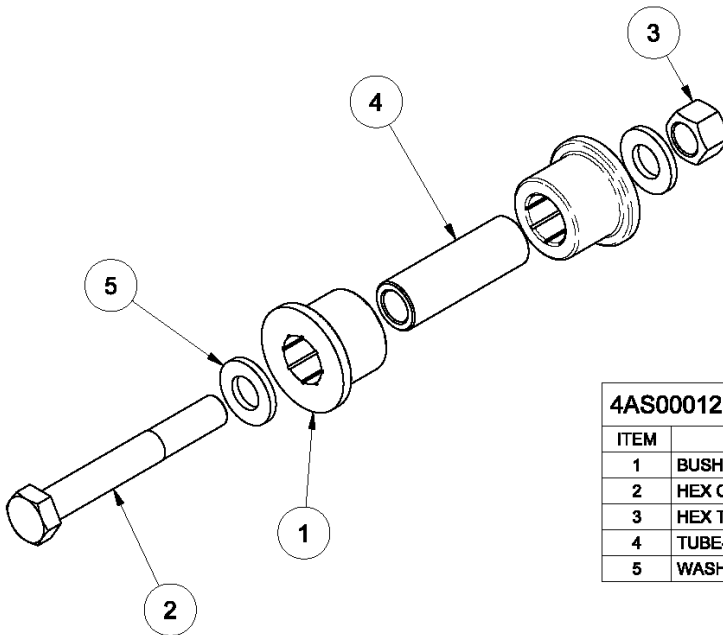
4AS00010 - SERVICE KIT - TIE ROD END (RH THREAD)

ITEM	DESCRIPTION	QTY
1	PIN-COTTER, .125 X 1.75	1
2	TIE ROD END ASSM. (RH)	1





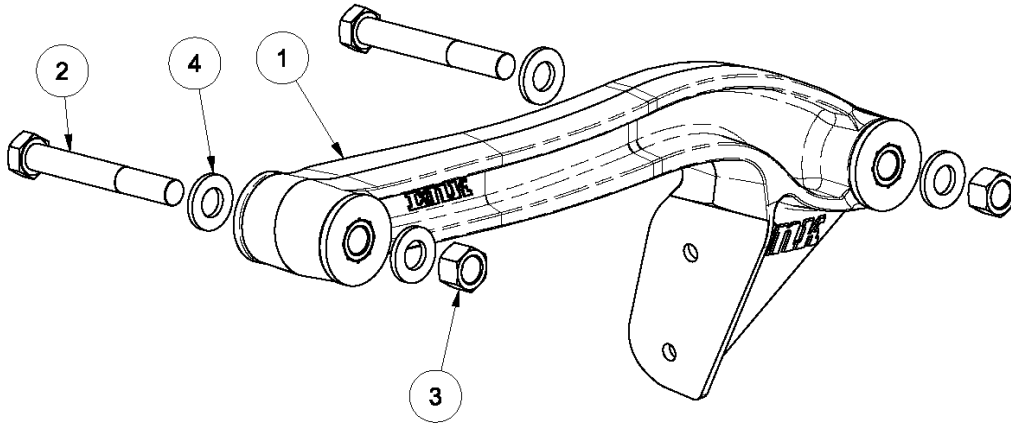
4AS00011 - SERVICE KIT - ASSEMBLY TUBE-TIE ROD		
ITEM	DESCRIPTION	QTY
1	ASSEMBLY-TUBE, TIE ROD	1



4AS00012 - SERVICE KIT - COMPLETE BUSHING		
ITEM	DESCRIPTION	QTY
1	BUSHING-ARM	16
2	HEX CAP SCREW, M20 X 2.5 X 145, CLASS 10.9	8
3	HEX TOP LOCK NUT, M20 X 2.5, 10	8
4	TUBE-BUSHING	8
5	WASHER-HARDENED, 20MM	16

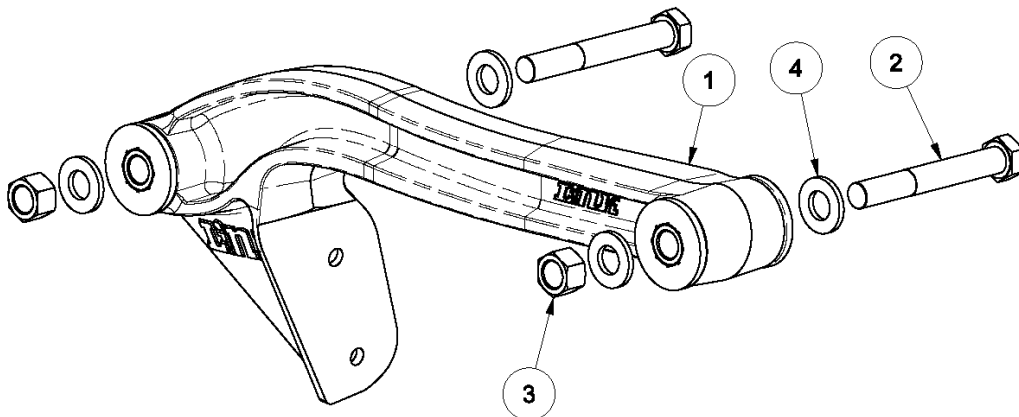
4AS00013 - SERVICE KIT - UPPER ARM-LH

ITEM	DESCRIPTION	QTY
1	ARM ASSEMBLY-TRAILING, UPPER LH	1
2	HEX CAP SCREW, M20 X 2.5 X 145, CLASS 10.9	2
3	HEX TOP LOCK NUT, M20 X 2.5, 10	2
4	WASHER-HARDENED, 20MM	4



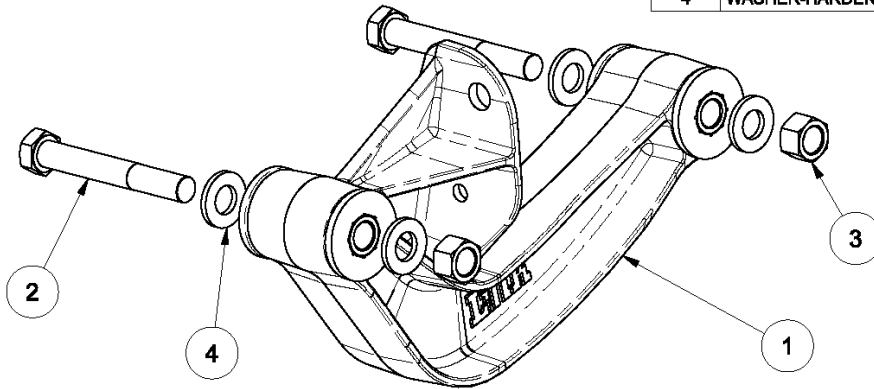
4AS00014 - SERVICE KIT - UPPER ARM-RH

ITEM	DESCRIPTION	QTY
1	ARM ASSEMBLY-TRAILING, UPPER RH	1
2	HEX CAP SCREW, M20 X 2.5 X 145, CLASS 10.9	2
3	HEX TOP LOCK NUT, M20 X 2.5, 10	2
4	WASHER-HARDENED, 20MM	4



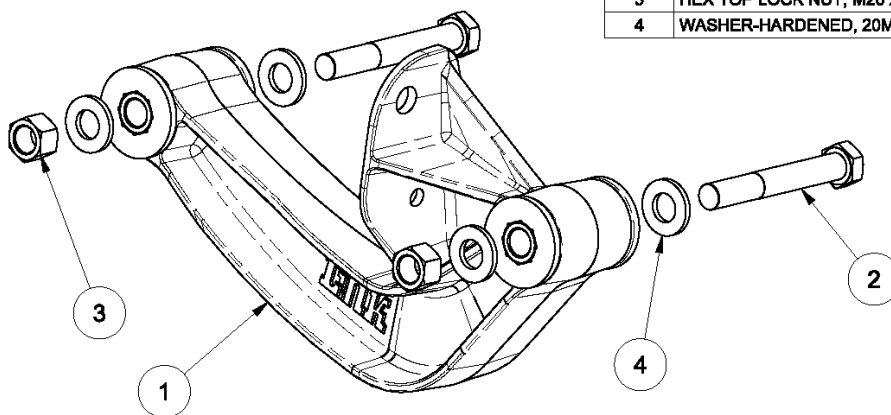
4AS00015 - SERVICE KIT - LOWER ARM-LH

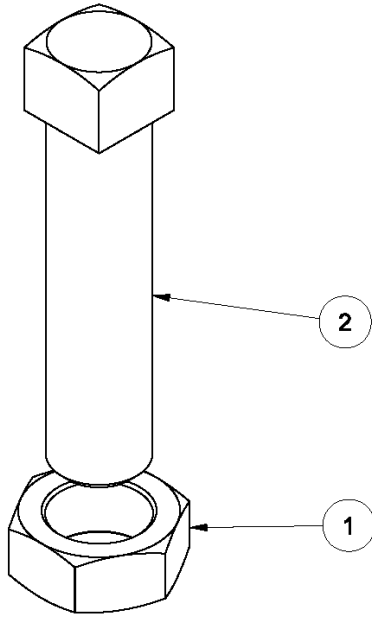
ITEM	DESCRIPTION	QTY
1	ARM ASSEMBLY-TRAILING, LOWER LH	1
2	HEX CAP SCREW, M20 X 2.5 X 145, CLASS 10.9	2
3	HEX TOP LOCK NUT, M20 X 2.5, 10	2
4	WASHER-HARDENED, 20MM	4



4AS00016 - SERVICE KIT - LOWER ARM-RH

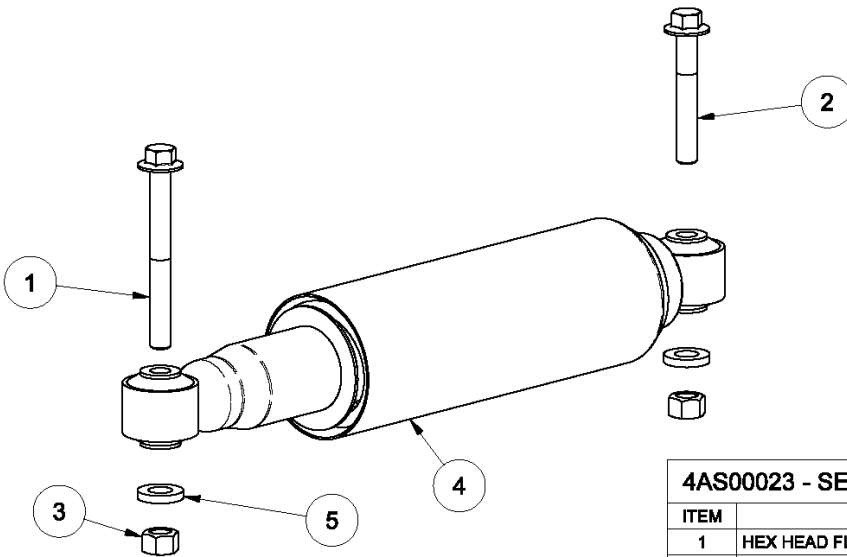
ITEM	DESCRIPTION	QTY
1	ARM ASSEMBLY-TRAILING, LOWER RH	1
2	HEX CAP SCREW, M20 X 2.5 X 145, CLASS 10.9	2
3	HEX TOP LOCK NUT, M20 X 2.5, 10	2
4	WASHER-HARDENED, 20MM	4





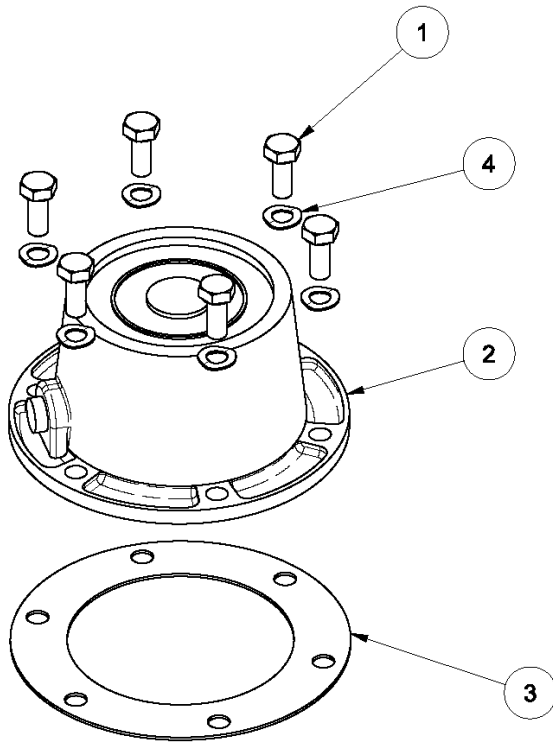
4AS00022 - SERVICE KIT - STEERING STOP BOLT

ITEM	DESCRIPTION	QTY
1	5/8 UNC HEX JAM NUT, GR 5	1
2	BOLT-STOP, STEERING, GEOMET	1



4AS00023 - SERVICE KIT - COMPLETE STEERING STABILIZER

ITEM	DESCRIPTION	QTY
1	HEX HEAD FLANGE SCREW, M12 X 1.75 X 110, CLASS 10.9	2
2	HEX HEAD FLANGE SCREW, M12 X 1.75 X 80, CLASS 10.9	2
3	HEX TOP LOCK NUT, M12 X 1.75, 10	4
4	SHOCK ABSORBER, WIDE BODY	2
5	WASHER-HARDENED, 12MM	4

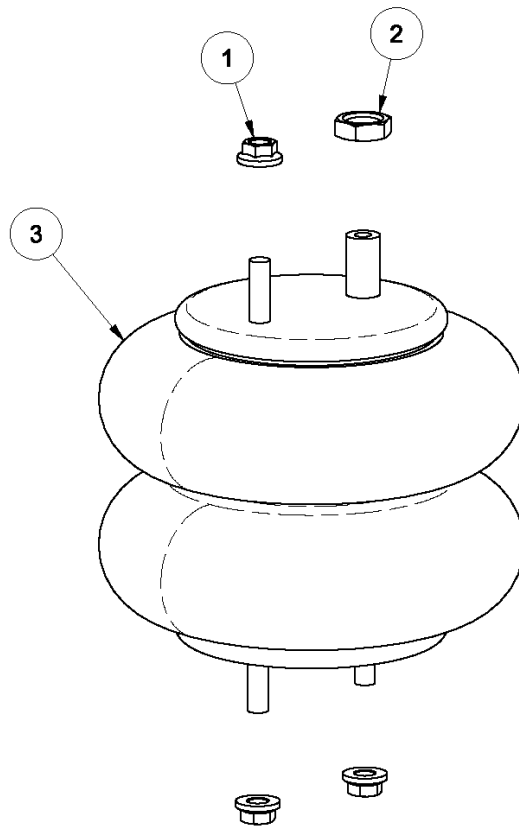


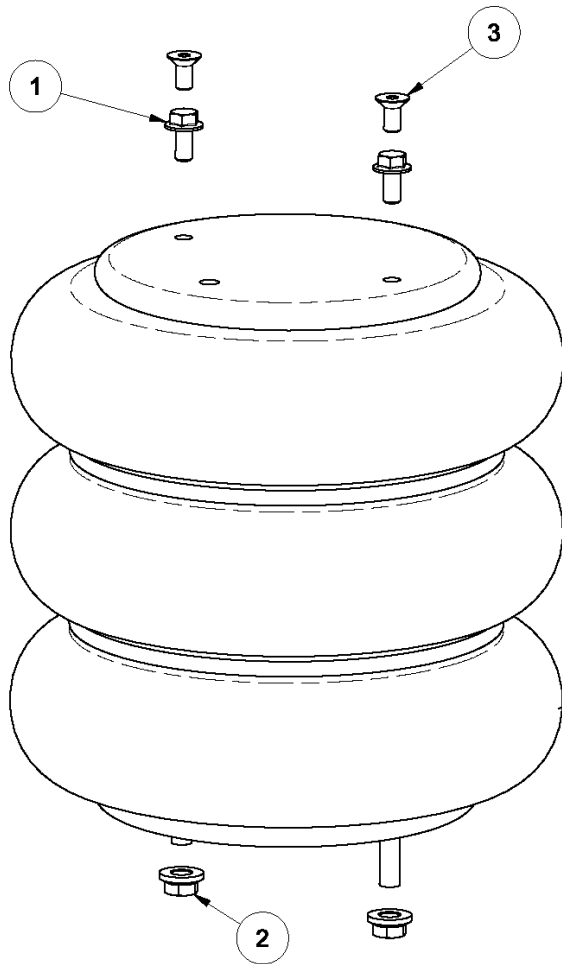
4AS00029 - SERVICE KIT - HUB CAP ASSEMBLY

ITEM	DESCRIPTION	QTY
1	5/16 X 7/8 UNC HEX CAP SCREW, GR 5	6
2	CAP-HUB, 6 HOLE, 4.5" B.C.	1
3	GASKET	1
4	WASHER-SPRING	6

4AS00032 - SERVICE KIT - LIFT SPRING

ITEM	DESCRIPTION	QTY
1	M12 X 1.75 SERRATED FLANGE NUT	3
2	M20 X 1.5 JAM NUT	1
3	SPRING-AIR	1

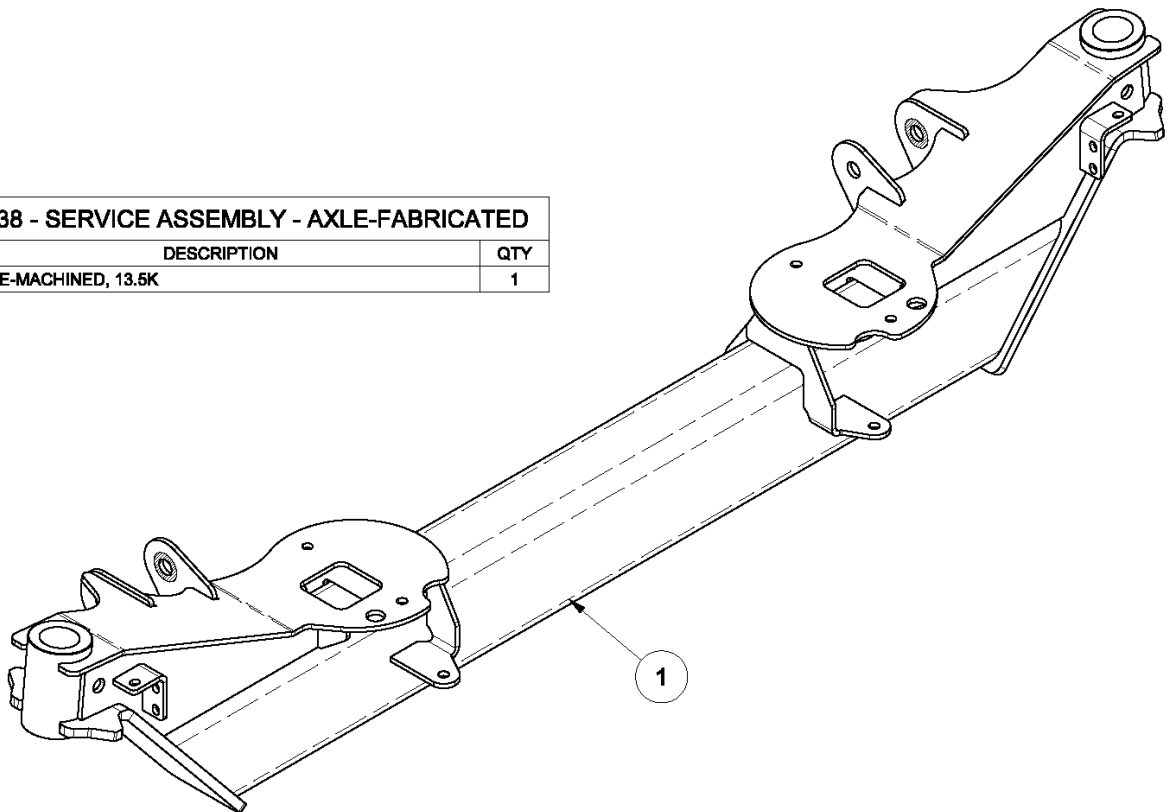


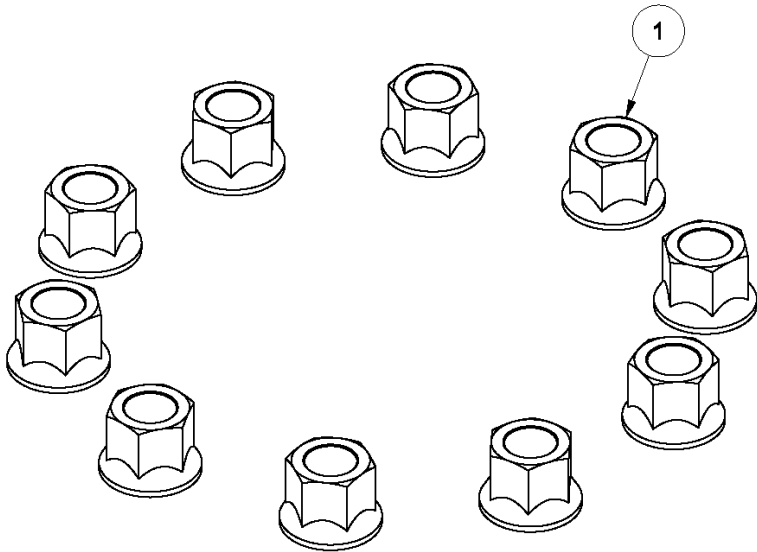


4AS00033 - SERVICE KIT - LOAD SPRING

ITEM	DESCRIPTION	QTY
1	HEX HEAD FLANGE SCREW, M10 X 1.50 X 20, CLASS 10.9	2
2	M12 X 1.75 SERRATED FLANGE NUT	2
3	METRIC FLAT HEAD CAP SCREW, M10 X 1.50, CLASS 10.9	2
4	SPRING-AIR	1

4AS00038 - SERVICE ASSEMBLY - AXLE-FABRICATED		
ITEM	DESCRIPTION	QTY
1	AXLE-MACHINED, 13.5K	1

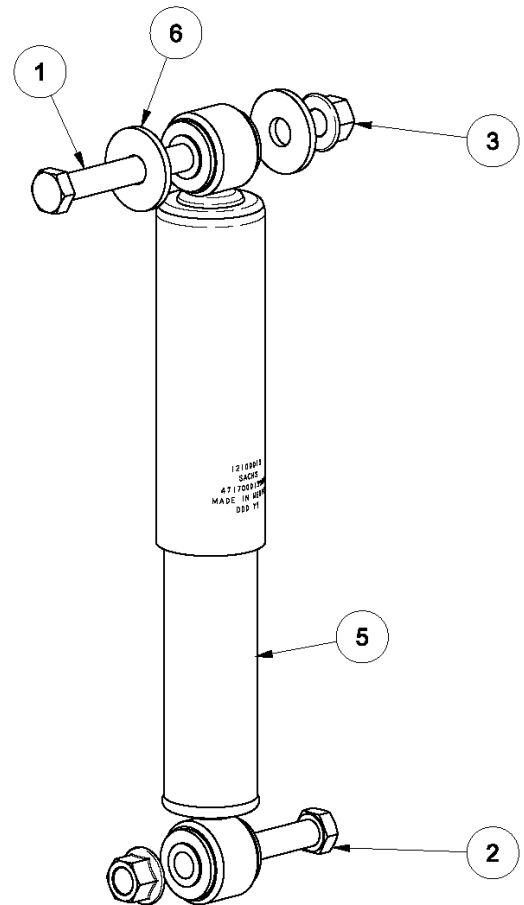


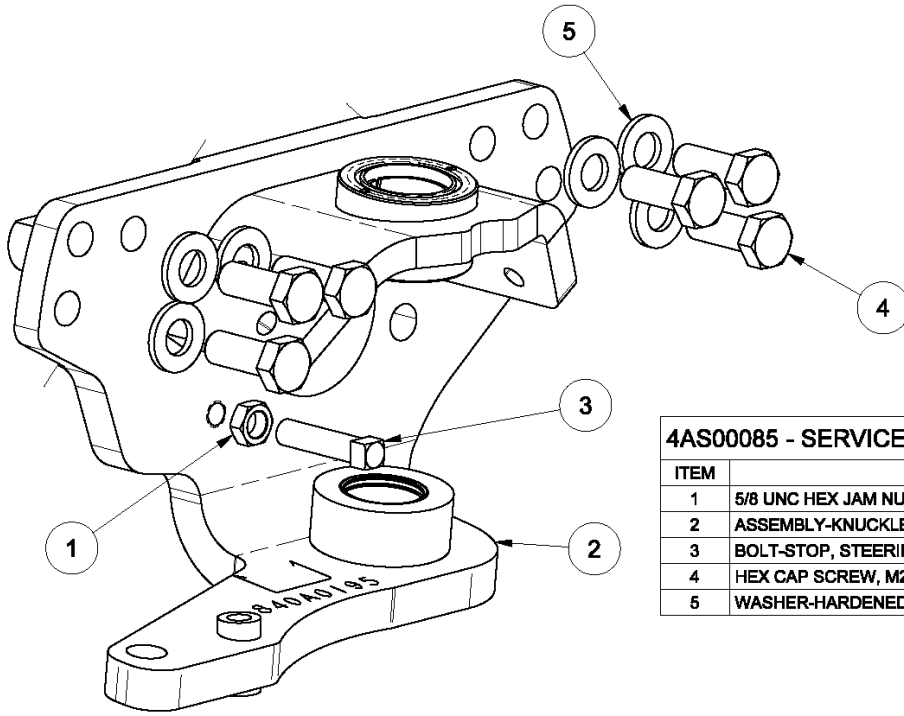


4AS00049 - SERVICE KIT - WHEEL NUT		
ITEM	DESCRIPTION	QTY
1	NUT-FLANGE, M22 X 1.5	10

4AS00084 - SERVICE KIT - COMPLETE RIDE SHOCK

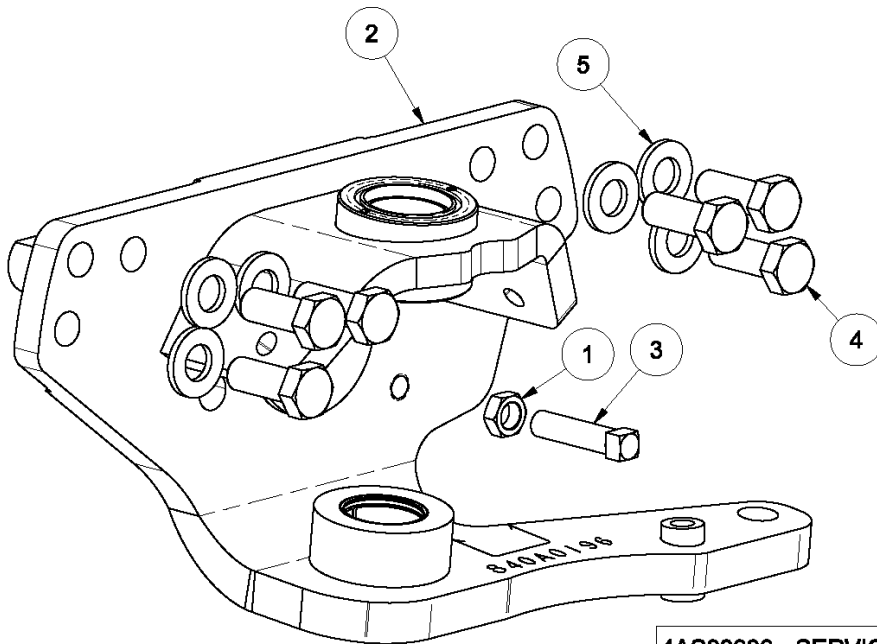
ITEM	DESCRIPTION	QTY
1	HEX CAP SCREW, M16 X 2.0 X 110, 10.9	2
2	HEX CAP SCREW, M16 X 2.0 X 90, 10.9	2
3	HEX TOP LOCK FLANGE NUT, M16 X 2.0, CLASS 10	4
4	INSTRUCTIONS-INSTALLATION-4AS00084	1
5	SHOCK ABSORBER	2
6	WASHER-OVERSIZED, 16MM	4





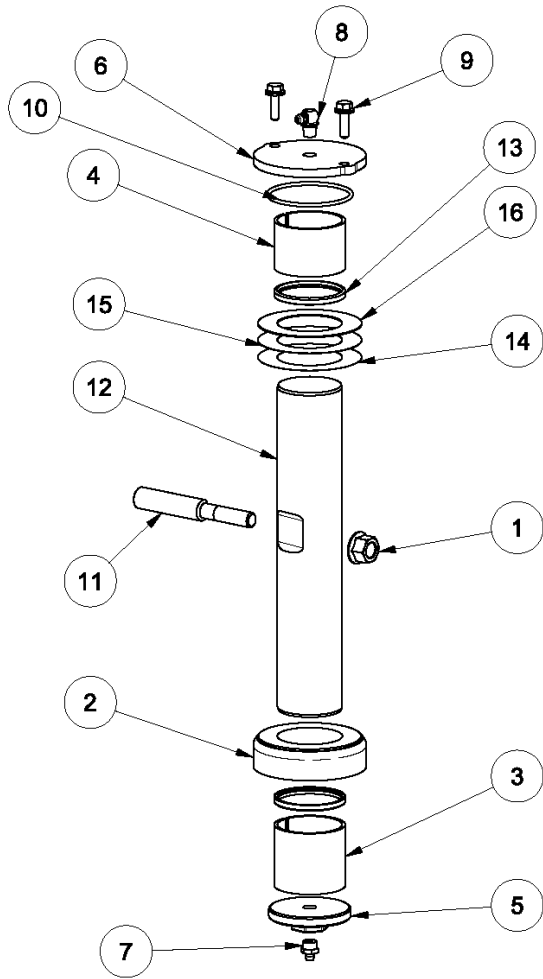
4AS00085 - SERVICE ASSEMBLY - KNUCKLE-MACHINED-LH

ITEM	DESCRIPTION	QTY
1	5/8 UNC HEX JAM NUT, GR 5	1
2	ASSEMBLY-KNUCKLE, LH, ADB	1
3	BOLT-STOP, STEERING, GEOMET	1
4	HEX CAP SCREW, M20 X 2.5 X 50 CLASS 10.9 W/THREADLOCK	6
5	WASHER-HARDENED, 20MM	6



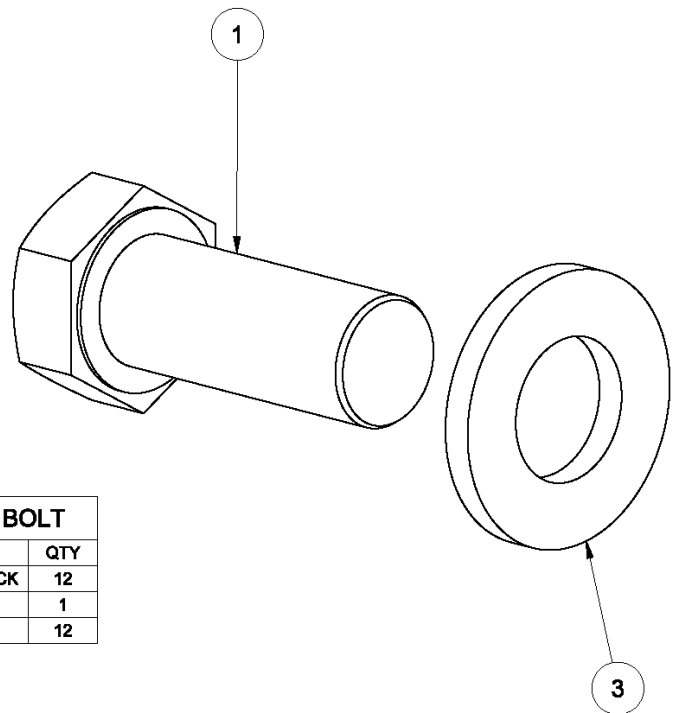
4AS00086 - SERVICE ASSEMBLY - KNUCKLE-MACHINED-RH

ITEM	DESCRIPTION	QTY
1	5/8 UNC HEX JAM NUT, GR 5	1
2	ASSEMBLY-KNUCKLE, RH, ADB	1
3	BOLT-STOP, STEERING, GEOMET	1
4	HEX CAP SCREW, M20 X 2.5 X 50 CLASS 10.9 W/THREADLOCK	6
5	WASHER-HARDENED, 20MM	6



4AS00087 - SERVICE KIT -COMPLETED KINGPIN

ITEM	DESCRIPTION	QTY
1	7/16 UNC HEX TOP LOCK FLANGE NUT, GRADE G	2
2	BEARING-THRUST	2
3	BUSHING-KNUCKLE	2
4	BUSHING-KNUCKLE, UPPER	2
5	CAP-KING PIN	2
6	CAP-KNUCKLE, BOLT	2
7	FITTING-GREASE, 1/8-27STR THD FORM	2
8	FITTING-GREASE, 90°	2
9	HEAVY HEX FLNG SCR M6 X 1.0 X 20 CLS 10.9	4
10	O-RING, 2.300 I.D. X .103 SECTION	2
11	PIN-DRAW, LOCKING	2
12	PIN-KING, 13.5K (1.88)	2
13	SEAL-KNUCKLE	4
14	SHIM (.005)	2
15	SHIM (.010)	2
16	SHIM (.030)	2



4AS00088 - SERVICE KIT - COMPLETE BRAKE BOLT

ITEM	DESCRIPTION	QTY
1	HEX CAP SCREW, M20 X 2.5 X 50 CLASS 10.9 W/THREADLOCK	12
2	INSTRUCTIONS-INSTALLATION-4AS00088	1
3	WASHER-HARDENED, 20MM	12

REFERENCE LIST OF INDUSTRY AVAILABLE SERVICE PARTS

AFTERMARKET PARTS FOR CONMET HUB/ROTOR ASSEMBLY		
ITEM	CONMET PART NUMBER	DESCRIPTION
1	10083194	AFTERMARKET HUB/ROTOR ASSEMBLY
2	10081727	REBUILD KIT (INCLUDES BEARING CUPS AND CONES, SEAL AND SPACER)
3	10081518	SEAL AND SPACER KIT
4	10045883	CONMET SEAL KIT
5	10041905	BEARING KIT - INNER
6	10041906	BEARING KIT - OUTER
7	10009780	ABS RING ONLY
8	10036548	PRESET PLUS NUT KIT
9	10001399	WHEEL STUD (MUST BE ORDERED IN MULTIPLES OF 10)
10	10082074	ROTOR KIT

AFTERMARKET PARTS FOR BENDIX ADB 22X BRAKE CALIPER ASSEMBLY		
ITEM	BENDIX PART NUMBER	DESCRIPTION
1	802078	PAD KIT (DOES 1 COMPLETE AXLE)
2	802455	SHEAR ADAPTER (BOX OF 10)
3	K028226	SERVICE ACTUATOR, TYPE 16 UNIVERSAL
REFER TO BENDIX SERVICE DATA DOCUMENT SD-23-7541 FOR COMPLETE DETAILS.		

Wherever possible, Link Manufacturing, LTD encourages the use of best practices in the industry in service and support of the products it manufactures. Many of these recommended practices that Link Manufacturing, LTD supports can be found in documentation compiled by The Technology & Maintenance Council (TMC). To obtain copies of the following Recommend Practice (RP's), contact TMC at

TMC/ATA Phone: 703-838-1763
 2200 Mill Road Website: tmc.truckline.com
 Alexandria, VA 22314 Online ordering: www.truckline.com/store

- TMC RP 222 User’s Guide to Wheels and Rims
- TMC RP 608 Brake Drums and Rotors
- TMC RP 622 Wheel Seal and Bearing Removal, Installation, and Maintenance
- TMC RP 631 Recommendations For Wheel End Lubrication
- TMC RP 640 Alternate Wheel Bearing Adjustment Systems
- TMC RP 644 Wheel End Conditions Analysis Guide
- TMC RP 645 Tie Rod End Inspection and Maintenance Procedure
- TMC RP 648 Troubleshooting Ride Complaints
- TMC RP 651 Steer Axle Maintenance Guidelines
- TMC RP 652 Service and Inspection of Air Disc Brakes
- TMC RP 1503 Brake Maintenance Guidelines for Severe Vocational Applications
- TMC RP 1515 Auxiliary Axle Maintenance Guidelines For Vocational Vehicles



LINK MANUFACTURING, LTD.
 223 15TH ST. NE
 SIOUX CENTER, IA 51250
 1-800-222-6283
www.linkmfg.com