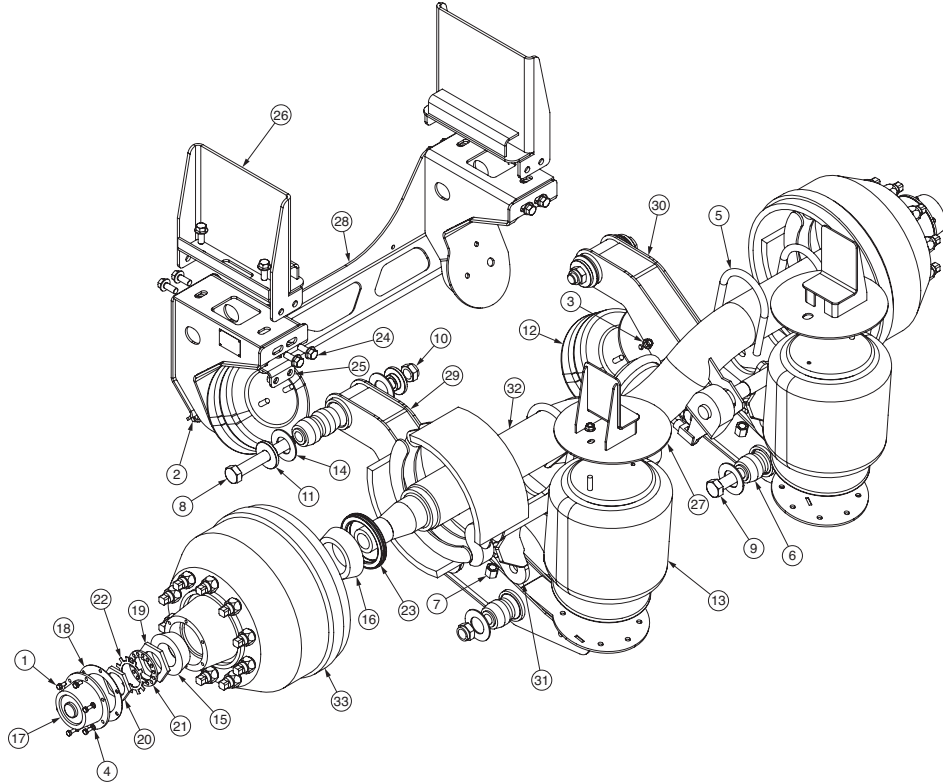


DURAMAX 20K NON-STEER



**LINK PART
NUMBERS:**

- 8A000451
- 8A000452
- 8A000453
- 8A000454
- 8A000455
- 8A000456
- 8A000457

**REPLACEMENT
KIT PART
NUMBERS:**

ARM BUSHING KIT:
800A0079

ITEM	PART NO	PART DESCRIPTION	QTY
1	14011006	5/16 X 3/4 UNC HEX CAP SCR (GR 5).....	12
2	14752402	3/4 UNF HEX JAM NUT, O&P	2
3	14801604	1/2 UNC TOP LOCK FL NUT (GR G) O&P.....	8
4	14851000	5/16 LOCK WASHER	12
5	14950006	U-BOLT, .75-16 UNF, 5.25 X 8.00	4
6	15000870	BUSHING-PIVOT, RUBBER.....	6
7	15060002	3/4 UNF HEX HIGH NUT.....	8
8	15060021	1 1/8 X 8 UNF HEX CAP SCR, (GR 8).....	2
9	15060022	1 1/8 X 7 1/2 UNF HEX CAP SCR, GR 8	4
10	15060023	1 1/8 UNF HEX TP LK NUT, COLLAR STYLE.....	6
11	81000128	COLLAR, ALIGNMENT, STEEL.....	4
12	11030019	SPRING-AIR.....	2
13	11030061	SPRING-AIR.....	2
14	80000087	THRUST WASHER.....	12
15	84001404	BEARING-ROLLER, CONE.....	2
16	84001405	BEARING-ROLLER, CONE.....	2
17	84001671	CAP, HUB.....	2
18	84001673	GASKET.....	2
19	84001674	NUT-SPINDLE, INNER.....	2
20	84001675	NUT-SPINDLE, OUTER.....	2
21	84001676	WASHER-LOCK.....	2
22	84001677	WASHER-STAR.....	2
23	84001679	SEAL-OIL.....	2
24	141A2012	5/8 X 1 1/2 UNC FLANGE BOLT (GR 8) O&P	12
25	800A0060	BRACKET-MOUNT, FASTENER.....	4
26	(NOTE 1)	BRACKET-MOUNT, FRAME.....	2
27	(NOTE 1)	BRACKET-MOUNT, AIR SPRING.....	2
28	810A0060	BRACKET-MOUNT, SUSPENSION.....	1
29	820A0020	ARM-SUSPENSION, DURAMAX.....	1
30	820A0021	ARM-SUSPENSION, DURAMAX.....	1
31	830A0010	BRACKET-MOUNT, AXLE	2
32	(NOTE 1)	AXLE-DANA.....	1
33	(NOTE 1)	KIT-WHEEL END.....	1

