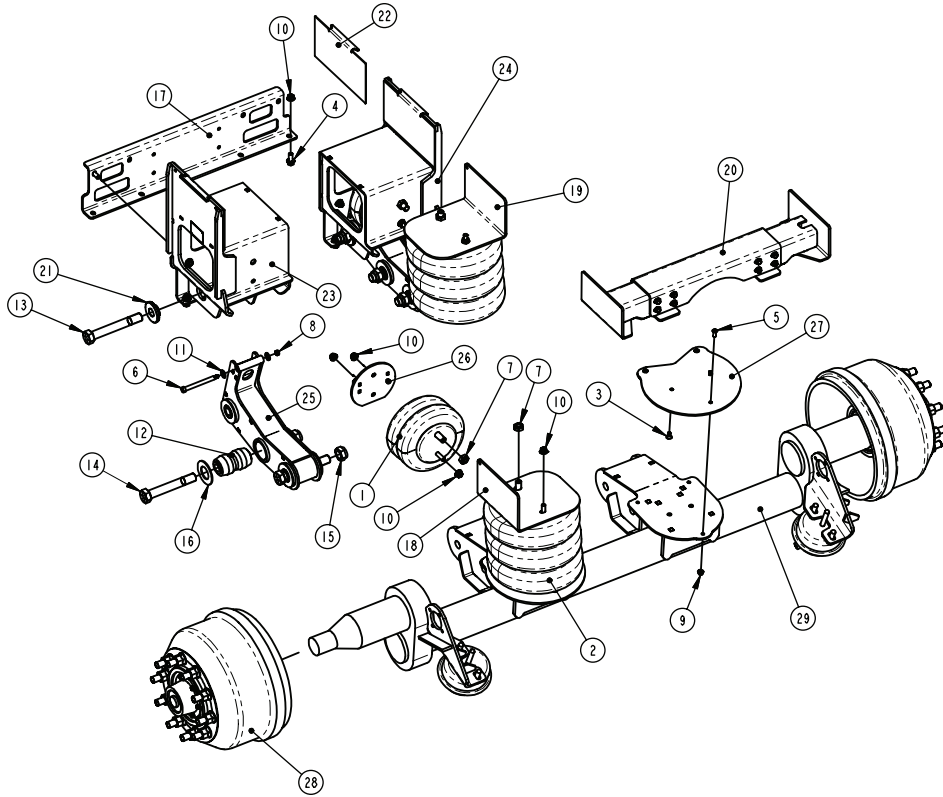


DURAMAX 13.2K OUTBOARD DROP AXLE NON-STEER



**LINK PART
NUMBERS:**

**8A000706
SUSPENSION ONLY**

**8A000707
8A000708
8A000709
8A000710**

**REPLACEMENT
KIT PART
NUMBERS:**

ARM BUSHING KIT:
800A0079

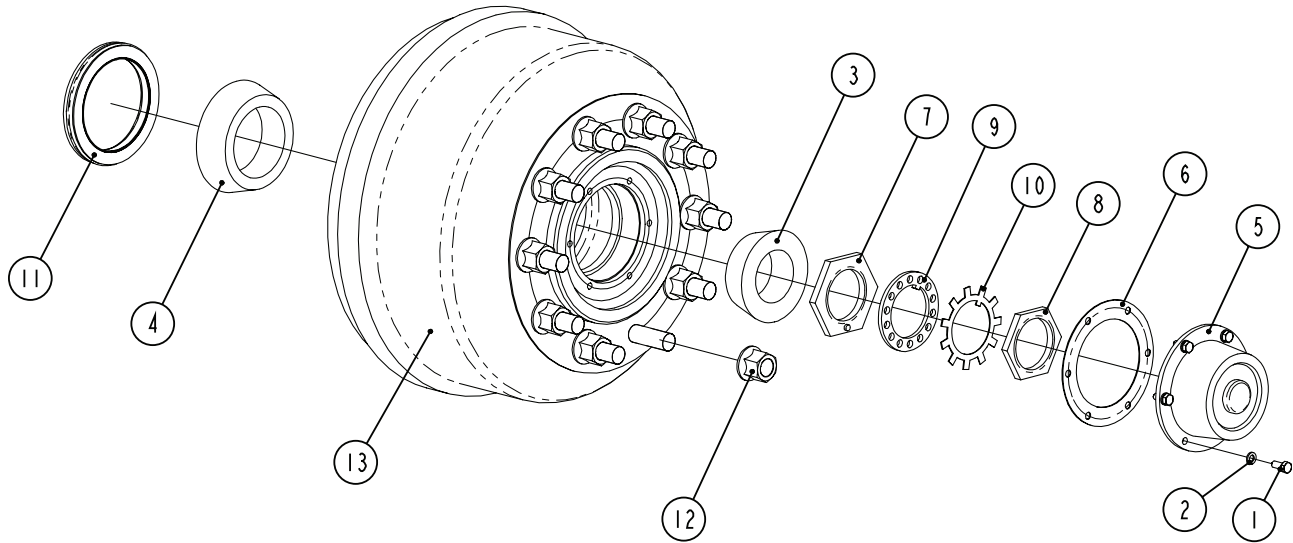
ITEM	PART NO	PART DESCRIPTION	QTY
1	11030019	SPRING-AIR, LIFT	2
2	11030056	SPRING-AIR, LOAD	2
3	14171206	3/8 X 3/4 UNC SOC FLAT CSK HD CAP SCREW	4
4	141A1610	1/2 X 1 1/4 UNC FLANGE BOLT (GR 8) O&P	8
5	142A1208	3/8-16 SOCKET BUTTON HEAD CAP SCREW	6
6	14301638	SHOULDER BOLT, .50 DIA. X 4.75	2
7	14752402	3/4 UNF HEX JAM NUT, O&P	4
8	14761200	3/8 UNC HEX CENTER LOCK NUT (GR B)	2
9	14801201	3/8 UNC TOP LOCK FL NUT (GR F)	6
10	14801604	1/2 UNC TOP LOCK FL NUT (GR G) O&P	16
11	14881602	1/2 SAE HARDENED WASHER	4
12	15000870	BUSHING-PIVOT, RUBBER	6
13	15060021	1 1/8 X 8 UNF HEX CAP SCR, (GR 8)	2
14	15060022	1 1/8 X 7 1/2 UNF HEX CAP SCR, GR 8	4
15	15060023	1 1/8 UNF HEX TOP LOCK NUT, COLLAR STYLE	6
16	80000087	THRUST WASHER	12
17	80002102	CROSSMEMBER	1
18	80002100	PLATE, UPPER LOAD SPRING MOUNT, LEFT	1
19	80002101	PLATE, UPPER LOAD SPRING MOUNT, RIGHT	1
20	800A0301	CROSSMEMBER KIT	1
21	81000128	COLLAR, ALIGNMENT, STEEL	4
22	81000509	PLATE, SHIM	4
23	810A0300	HANGER WELDMENT, LEFT	1
24	810A0301	HANGER WELDMENT, RIGHT	1
25	820A0300	PULL ARM WELDMENT	2
26	820A0301	LIFT SPRING PIVOT BRACKET WELDM.	2
27	83000148	PLATE, LOAD SPRING SPACER	2
28	840A0148	KIT, HUB/DRUM WITH BEARINGS, HUB PILOTED (SEE PG 101)	2
29	840A0300	AXLE WELDMENT, 34" FRAME WIDTH	1
OR	840A0301	AXLE WELDMENT, 34-1/2" FRAME WIDTH	1



HUB & DRUM

13.2K DURAMAX OUTBOARD DROP AXLE NON-STEER

Link Part Number: 840A0148



IMPORTANT NOTES:

1. HUBS AND DRUMS ARE USED ON 840A0148

ITEM	PART NO	PART DESCRIPTION	QTY
1	14011006	5/16 X 3/4 UNC HEX CAP SCR (GR 5)	6
2	14851000	5/16 LOCK WASHER	6
3	84001404	BEARING-ROLLER, CONE	1
4	84001405	BEARING-ROLLER, CONE	1
5	84001671	CAP, HUB	1
6	84001673	GASKET	1
7	84001674	NUT-SPINDLE, INNER	1
8	84001675	NUT-SPINDLE, OUTER	1
9	84001676	WASHER-LOCK	1
10	84001677	WASHER-STAR	1
11	84001679	SEAL-OIL	1
12	84001709	NUT-FLANGE, M22X1.5	10
13	84002027	HUB & DRUM-FN MNT, 16.5X7	1

