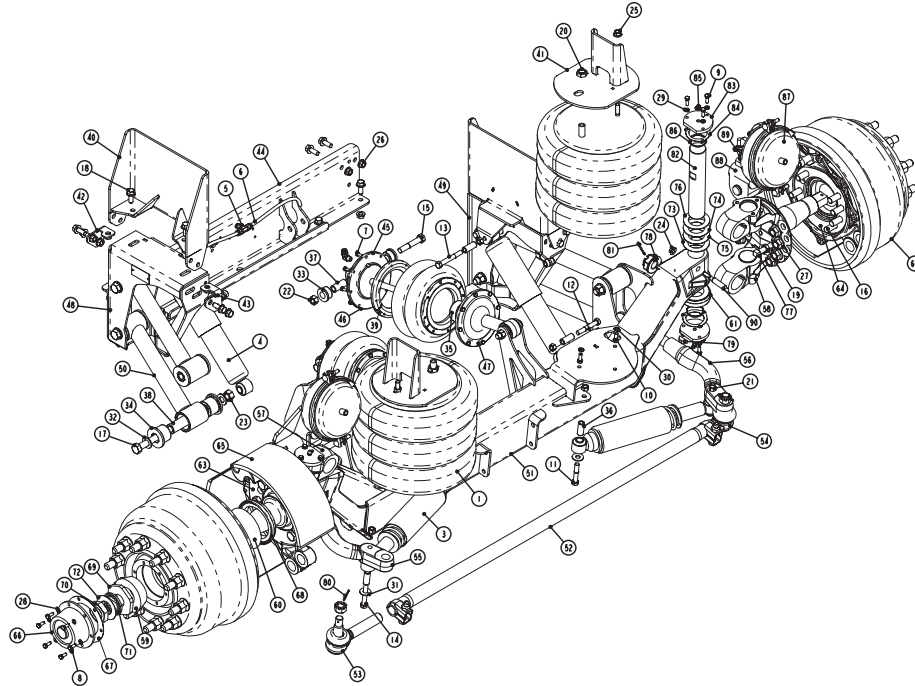


DURALIFT II 20K SELF-STEER

Link Part Number: 8A0000684 - Non-Current



**REPLACEMENT
KIT PART
NUMBERS:**

ARM BUSHING KIT:
800A0133

KING PIN KIT:
84001768

IMPORTANT NOTES:

1. MULTIPLE OPTIONS
EXIST—CALL FOR
DETAILS.

#	PART NO	PART DESCRIPTION	QTY	#	PART NO	PART DESCRIPTION	QTY
1	11030001	SPRING-AIR	2	46	800A0259	CAP-CYL., AIR	2
2	11030062	SPRING-AIR	2	47	800A0260	PISTON-CYL., AIR	2
3	12100010	SHOCK ABSORBER-COIL SPRING, STEERING	2	48	810A0058	BRACKET-HANGER, SUSPENSION	1
4	12100011	SHOCK ABSORBER	2	49	810A0059	BRACKET-HANGER, SUSPENSION	1
5	13025061	TEE-UNION, 3/8 TUBE	1	50	820A0034	ARM-CONNECTING	4
6	13034000	AIRLINE-NYLON, .375 OD	28 ^M	51	830A0030	AXLE-FAB., 20K DURALIFT II	1
7	14010806	1/4 X 3/4 UNC HEX CAP SCR (GR 5)	32	52	84001041	ASSEMBLY-TUBE, TIE ROD	1
8	14011006	5/16 X 3/4 UNC HEX CAP SCR (GR 5)	12	53	84001042	ASSEMBLY-END, TIE ROD (LH)	1
9	140B1008	5/16 X 1 UNC HEX CAP SCR (GR 8) O&P	12	54	84001043	ASSEMBLY-END, TIE ROD (RH)	1
10	140B1208	3/8 X 1 UNC HEX CAP SCR (GR 8) O&P	4	55	84001123	ARM-TIE ROD	1
11	140D1622	1/2 X 2 3/4 UNF HEX CAP SCR (GR 8) O&P	2	56	84001124	ARM-TIE ROD	1
12	140D1626	1/2 X 3 1/4 UNF HEX CAP SCR (GR 8) O&P	2	57	84001247	ASSEMBLY-KNUCKLE, MERITOR 20K (LEFT)	1
13	140D1630	1/2 X 3 3/4 UNF HEX CAP SCR (GR 8) O&P	2	58	84001248	ASSEMBLY-KNUCKLE, MERITOR 20K (RIGHT)	1
14	140D1636	1/2 X 4 1/2 UNF HEX CAP SCR (GR 8) O&P	2	59	84001416	BEARING-ROLLER, CONE	2
15	140D2028	5/8 X 3 1/2 UNF HEX CAP SCR (GR 8) O&P	4	60	84001417	BEARING-ROLLER, CONE	2
16	140D2416	3/4 X 2 UNF HEX CAP SCR (GR 8) O&P	14	61	84001436	BEARING-THRUST	2
17	140D2446	3/4 X 5 3/4 UNF HEX CAP SCR (GR 8) O&P	8	62	84001540	ASSEMBLY-HUB & DRUM, FN MNT	2
18	141A1610	1/2 X 1 1/4 UNC FLANGE BOLT (GR 8) O&P	20	63	84001616	BRAKE ASSY-20K (LH)	1
19	14752000	5/8 UNF HEX JAM NUT	2	64	84001617	BRAKE ASSY-20K (RH)	1
20	14752402	3/4 UNF HEX JAM NUT, O&P	2	65	84001655	PAD-BRAKE, 20K	4
21	14771606	1/2 UNF HEX TOP LOCK NUT (GR C) O&P	8	66	84001671	CAP-HUB	2
22	14772006	5/8 UNF HEX TOP LOCK NUT (GR C) O&P	4	67	84001673	GASKET	2
23	14772406	3/4 UNF HEX TOP LOCK NUT (GR C) O&P	8	68	84001743	SEAL-OIL	2
24	14801404	7/16 UNC TOP LOCK FL NUT (GR G) O&P	2	69	84001745	NUT-SPINDLE, INNER	2
25	14801600	1/2 UNC SERRATED FLANGE NUT	2	70	84001746	NUT-SPINDLE, OUTER	2
26	14801604	1/2 UNC TOP LOCK FL NUT (GR G) O&P	8	71	84001747	RING-LOCK	2
27	14802405	3/4 UNF TOP LOCK FL NUT (GR G) O&P	14	72	84001748	WASHER-RETAINER	2
28	14851000	5/16 LOCK WASHER	12	73	84001749	SHIM (.030)	2
29	14851004	5/16 LOCK WASHER OIL&PHOS	12	74	84001750	SHIM (.015)	2
30	14851200	3/8 LOCK WASHER	4	75	84001751	SHIM (.010)	2
31	14871600	1/2 TYPE A PLAIN WASHER	4	76	84001752	SHIM (.005)	2
32	14882402	3/4 SAE HARDENED WASHER	16	77	84001753	BOLT-STOP, STEERING	2
33	15000846	BUSHING	8	78	84001754	NUT-HEX, SLOTTED	2
34	15000890	BUSHING	16	79	84001756	KEY-ARM, KNUCKLE	2
35	15000891	STOP-BUMPER, CYL	2	80	84001757	PIN-COTTER, .13	2
36	80000009	BUSHING-SHOCK, ACETAL	8	81	84001758	PIN-COTTER, .15 X 3.00	2
37	80000835	TUBE-BUSHING	4	82	84001760	PIN-KING	2
38	80001210	TUBE-BUSHING	8	83	84001762	CAP-KNUCKLE	4
39	80001324	RING-RETAINER, AIRSPRING	8	84	84001763	GASKET-CAP, KING PIN	4
40	SEE NOTE	BRACKET-MOUNT, FRAME	2	85	84001764	FITTING-GREASE	4
41	SEE NOTE	BRACKET-MOUNT, AIR SPRING	2	86	84001765	SEAL-KNUCKLE	4
42	800A0250	BRACKET-MOUNT, FASTENER	2	87	84001767	CHAMBER-BRAKE	2
43	800A0251	BRACKET-MOUNT, FASTENER	2	88	84001777	SLACK ADJUSTER-AUTO	2
44	800A0257	WELDMENT-CROSSMEMBER	1	89	84001779	ASSEMBLY-CLEVIS, GUNITE	2
45	800A0309	ACTUATOR-SPRING, LIFT	2	90	84001928	PIN-DRAW, LOCKING	V2

