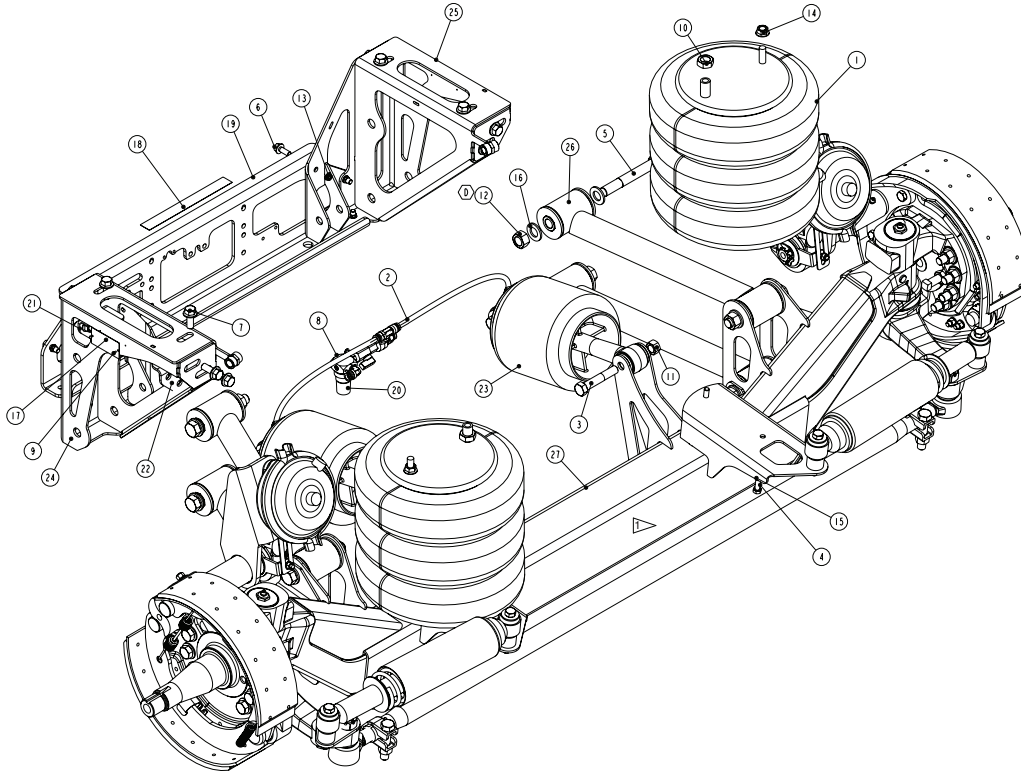


DURALIFT II 13.2K SELF-STEER

Link Part Number: 8A000490 Pre July 2006 - Non-Current



ITEM	PART NO	PART DESCRIPTION	QTY
1	11030056	SPRING-AIR	2
2	13034000	AIRLINE-NYLON, .375 O.D., BULK	2.5 FT
3	14032028	5/8 X 3 1/2 UNF HEX CAP SCR (GR 5).....	4
4	140B1208	3/8/ X 1 UNC HEX CAP SCR (GR 8) O&P.....	4
5	140D2446	3/4 X 5 1/2 UNF HEX CAP SCR (GR 8) O&P	8
6	14111208	3/8 X 1 UNC FLANG BOLD (GRADE 8)	6
7	141A1610	1/2 X 1 1/4 UNC FLANGE BOLT (GRADE 8).....	12
8	144P0B04	10-32 X 1/2 TRUSS HEAD MAC. SCREW.....	2
9	14550404	#4 X 1/4 DRIVE SCREW.....	2
10	14752402	3/4 UNF HEX JAM NUT, O&P	2
11	14772006	5/8 UNF HEX TOP LOCK NUT (GR C) O&P	4
12	14772406	3/4 UNF HEX TOP LOCK NUT (GR C) O&P	8
13	14801204	3/8 UNC TOP LOCK FL NUT (GR G) O&P.....	6
14	14801604	1/2 UNC TOP LOCK NUT (GR G) O&P.....	2
15	14851200	3/8 LOCK WASHER	4
16	14882402	3/4 SAE HARDENED WASHER	16
17	15001329	PLATE-ID, SUSPENSION.....	1
18	15001344	DECAL-DURALIFT2	1
19	80001203	CROSSMEMBER-DURALIFT2.....	1
20	800A0119	CONTROL-AIR, LIFT SPRING	1
21	800A0120	BRACKET-MOUNT, FASTENER.....	2
22	800A0121	BRACKET-MOUNT, FASTENER.....	2
23	800A0130	ACTUATOR-SPRING, LIFT.....	2
24	810A0055	BRACKET-HANGER, SUSPENSION.....	1
25	810A0056	BRACKET-HANGER, SUSPENSION.....	1
26	820A0033	ARM-CONNECTING	4
27	830A0009	ASSEMBLY-AXLE, 13K DURALIFT2 (SMALL KING PIN)	
27	830A0016	ASSEMBLY-AXLE, 13K DURALIFT2 (LARGE KING PIN)	1

IMPORTANT NOTES:

▶ **DATE/SERIAL NO. 06290**
JULIAN DAY CODE
YEAR

PRIOR TO DATE	AFTER DATE
<u>PART NO.</u>	<u>PART NO.</u>
830A0009	830A0016

REPLACEMENT KIT PART NUMBERS:

ARM BUSHING KIT: 800A0133

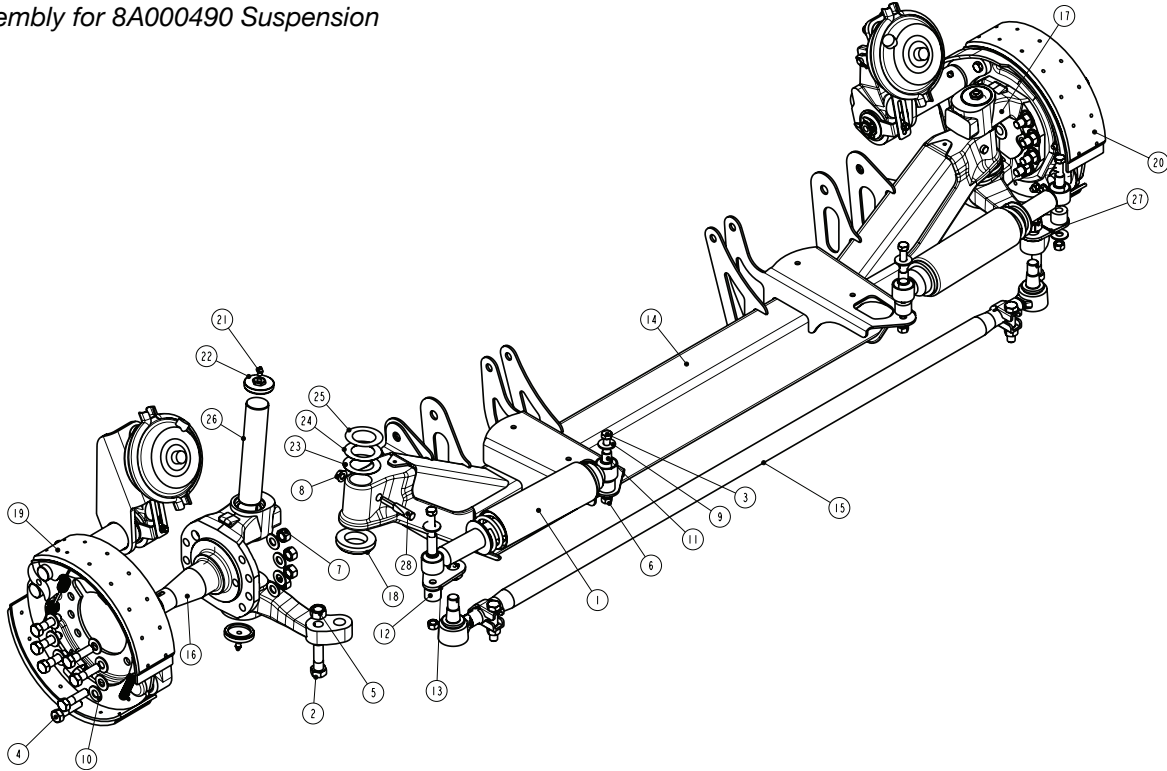
SHOCK KIT: 12100015
 (MUST ALSO ORDER SPACER KIT: 12100016 WITH SHOCK KIT FOR THIS SUSPENSION)



DURALIFT II 13.2K SELF-STEER

Link Part Number: 830A0009 - Pre July 2006 - Non-Current

Axle Assembly for 8A000490 Suspension



**REPLACEMENT
KIT PART
NUMBERS:**

KING PIN KIT:
84001932

SHOCK KIT:
12100015

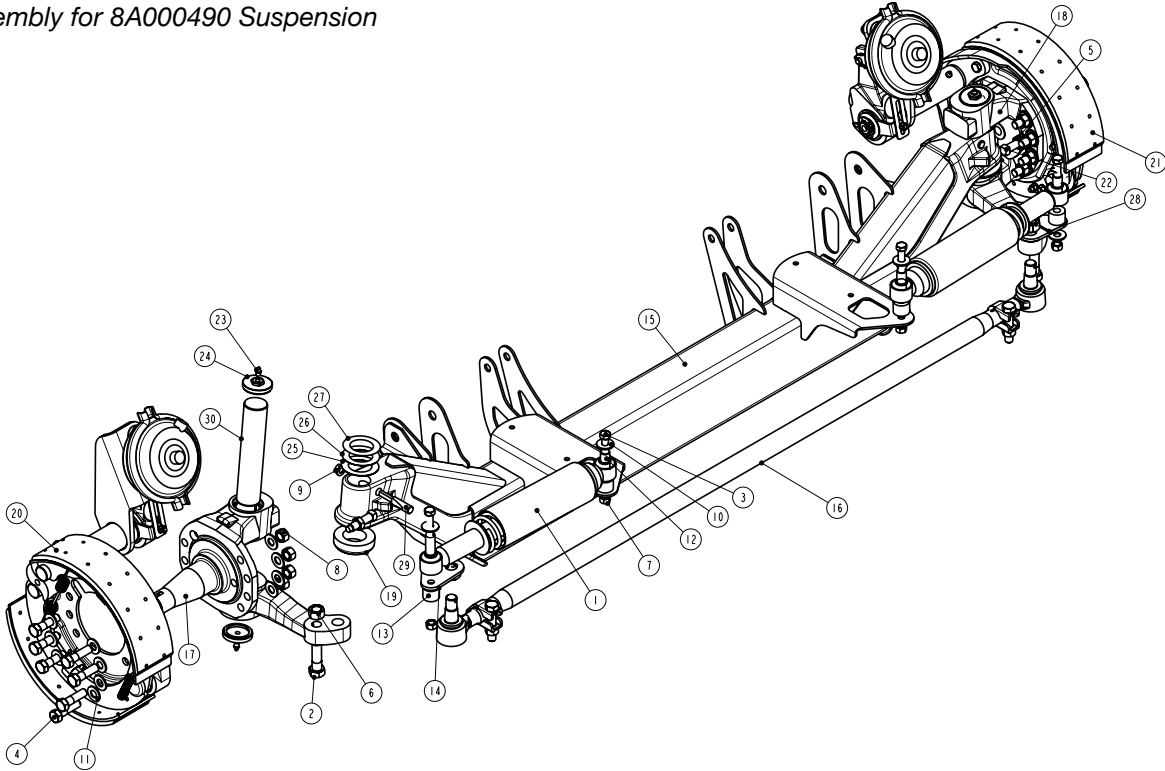
ITEM	PART NO	PART DESCRIPTION	QTY
1	12100010	SHOCK ABSORBER	2
2	140B2420	3/4 X 2 1/2 UNC HEX CAP SCR (GR 8) O&P	2
3	140D1630	1/2 X 3 3/4 UNF HEX CAP SCR (GR 8) O&P	4
4	140D2018	5/8 X 2 1/4 UNF HEX CAP SCR (GR 8) O&P	14
5	14762406	3/4 UNC HEX TOP LOCK NUT (GR C) O&P	2
6	14771606	1/2 UNF HEX TOP LOCK NUT (GR C) O&P	4
7	14772006	5/8 UNF HEX TOP LOCK NUT (GR C) O&P	14
8	14801404	7/16 UNC TOP LOCK FL NUT (GR C) O&P	2
9	14871600	1/2 TYPE A PLAIN WASHER	4
10	14882003	5/8 SAE PLAIN WASHER, OIL&PHOS.....	28
11	80000009	BUSHING-SHOCK, ACETAL.....	4
12	80000804	SPACER-MOUNT, SHOCK	4
13	83000078	TAB-MOUNT, SHOCK	2
14	830A0008	AXLE-FAB., 13K DURALIFT2	1
15	84001038	ASSEMBLY-ROD, TIE.....	1
16	84001224	ASSEMBLY-KNUCKLE, DANA (LEFT)	1
17	84001225	ASSEMBLY-KNUCKLE, DANA (RIGHT).....	1
18	84001432	BEARING-THRUST	2
19	84001607	ASSEMBLY-BRAKE, 15X 4L	1
20	84001608	ASSEMBLY-BRAKE, 15X 4R.....	1
21	84001901	FITTING-GREASE.....	4
22	84001902	CAP-KNUCKLE	4
23	84001904	SHIM (.030).....	2
24	84001904	SHIM (.010).....	2
25	84001905	SHIM (.005).....	2
26	84001907	PIN-KING, DANA.....	2
27	84001912	PIN, COTTER.....	2
28	84001928	PIN-DRAW, LOCKING.....	2



DURALIFT II 13.2K SELF-STEER

Link Part Number: 830A0016 - After June 2006 - Non-Current

Axle Assembly for 8A000490 Suspension



**REPLACEMENT
KIT PART
NUMBERS:**

KING PIN KIT:
84001934

SHOCK KIT:
12100015

ITEM	PART NO	PART DESCRIPTION	QTY
1	12100010	SHOCK ABSORBER	2
2	140B2420	3/4 X 2 1/2 UNC HEX CAP SCR (GR 8) O&P	2
3	140D1630	1/2 X 3 3/4 UNF HEX CAP SCR (GR 8) O&P	4
4	140D2018	5/8 X 2 1/4 UNF HEX CAP SCR (GR 8) O&P	14
5	14752000	5/8 UNF HEX JAM NUT	2
6	14762406	3/4 UNC HEX TOP LOCK NUT (GR C) O&P	2
7	14771606	1/2 UNF HEX TOP LOCK NUT (GR C) O&P	4
8	14772006	5/8 UNF HEX TOP LOCK NUT (GR C).....	14
9	14801404	7/16 UNC TOP LOCK FL NUT (GR G) O&P	2
10	14871600	1/2 TYPE A PLAIN WASHER	4
11	14882003	5/8 SAE PLAIN WASHER, OIL&PHOS.....	28
12	80000009	BUSHING-SHOCK, ACETAL.....	4
13	80000804	SPACER-MOUNT, SHOCK	4
14	83000078	TAB-MOUNT, SHOCK	2
15	830A0015	AXLE-FAB., 13K DURALIFT2	1
16	84001038	ASSEMBLY-ROD, TIE	1
17	84001243	ASSEMBLY-KNUCKLE, DANA (LEFT)	1
18	84001244	ASSEMBLY-KNUCKLE, DANA (RIGHT).....	1
19	84001435	BEARING-THRUST	2
20	84001607	ASSEMBLY-BRAKE, 15X 4L	1
21	84001608	ASSEMBLY-BRAKE, 15X 4R.....	1
22	84001731	BOLT-STOP, STEERING	2
23	84001901	FITTING-GREASE.....	4
24	84001902	CAP-KNUCKLE	4
25	84001903	SHIM (.030)	2
26	84001904	SHIM (.010).....	2
27	84001905	SHIM (.005).....	2
28	84001912	PIN, COTTER.....	2
29	84001928	PIN-DRAW, LOCKING.....	2
30	84002020	PIN-KING, DANA.....	2

