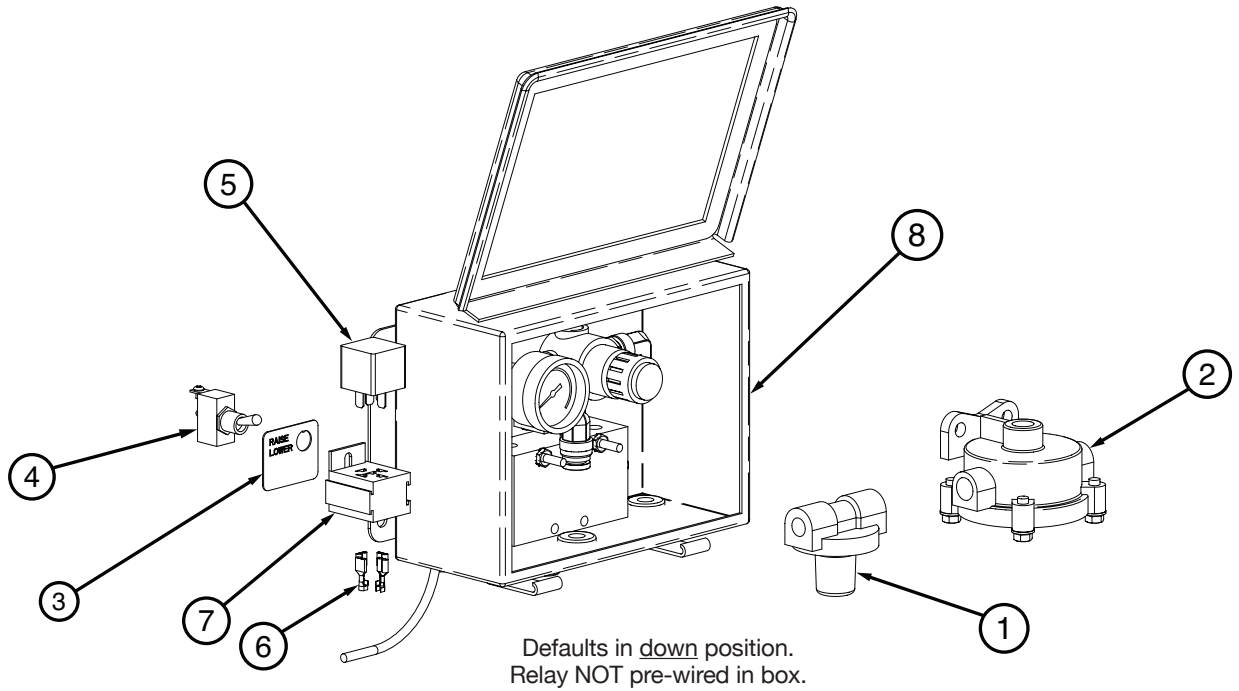


AIR CONTROL KIT

Sealed Air Control Kit - 800A0034 - Non-Current



800A0034

ITEM	PART NO	PART DESCRIPTION	QTY
1	13010084	VALVE-PRESSURE PROTECTION.....	1
2	13010503	VALVE-EXHAUST	1
3	15001318	PLATE-SWITCH, LIFT.....	1
4	15050350	SWITCH-TOGGLE.....	1
5	15050351	RELAY	1
6	15050353	CONNECTOR-PUSH-ON, FEMALE	4
7	15050354	RELAY BASE	1
8	800A0033	BOX-CONTROL, AIR.....	1

