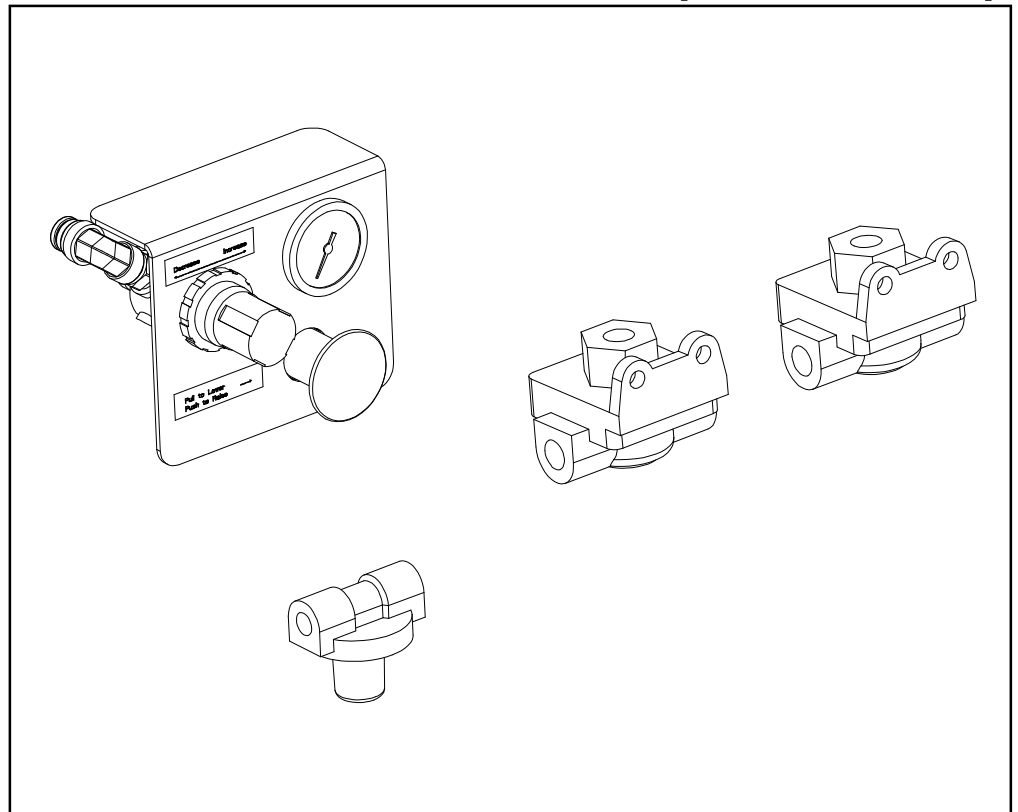




INSTALLATION INSTRUCTIONS

KIT-AIR/AIR (800A0098)



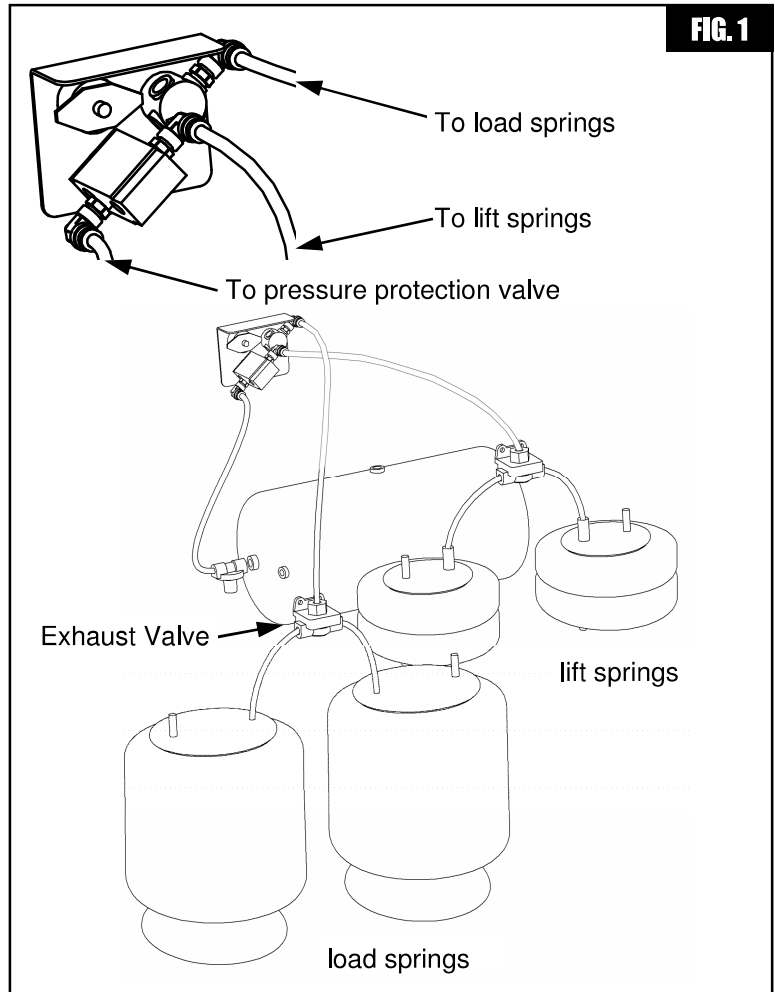
Link Mfg. Ltd.
223 15th St. NE
Sioux Center, IA USA
51250-2120

(712) 722-4874
Fax (712) 722-4876

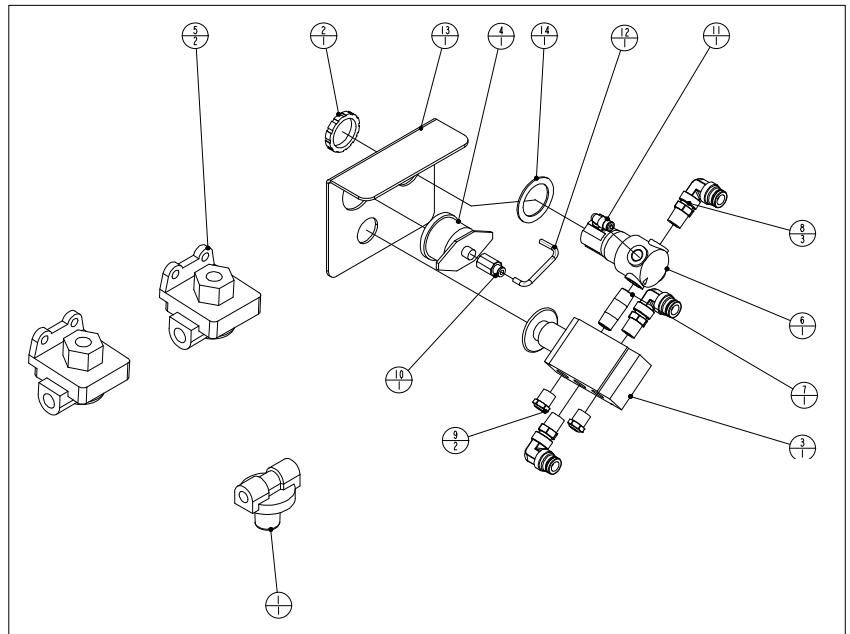
**QUESTIONS?
CALL CUSTOMER
SERVICE
1-800-222-6283**

PLUMBING INSTRUCTIONS

- A. Connect pressure protection valve directly to the air supply tank on the truck.
IMPORTANT: Make sure direction of flow for the system matches flow indicator on the pressure protection valve.
- B. Install all required fittings into the valves and air springs.
- C. Securely mount the Air Control Panel to the truck exterior in desired location for driver convenience, making sure air controls are easily accessible.
- D. Securely mount the Exhaust Valves to the suspension cross-member.
- E. Route all airline to your suspension using plumbing schematic in Fig.1. **NOTE:** Use only air brake tubes that conform to S.A.E J844.
- F. Secure any loose components to the truck. Ensure all tubes are free from kinks.



BILL OF MATERIALS FOR ASSEMBLY:				800A0098
ITEM	PART NUMBER	DESCRIPTION	QTY	
1	1301-0084	VALVE-PRESSURE PROTECTION	1	
2	1301-0505	PANEL NUT	1	
3	13010551	VALVE-4 WAY	1	
4	13010553	GAUGE-PRESSURE, AIR	1	
5	13010554	VALVE-QUICK RELEASE	2	
6	13010580	REGULATOR-AIR PRESSURE	1	
7	1302-2045	NIPPLE 1/2 X 1/4	1	
8	1302-5094	ELBOW-SWIV, 3/8 TB, 1/4 M-NPT	3	
9	1302-9989	BREATHER VENT, 1/4 M-NPT	2	
10	13025492	CONNECTOR	1	
11	13025493	ELBOW-SWIV, 5/32 TB, 1/4 M-NPT	1	
12	13029965	HOSE, 5/32, BLK POLYPROPYLENE, 4"	1	
13	80000386	PANEL-CONTROL	1	
14	80001513	SHIM - REGULATOR	1	



LINK MANUFACTURING, LTD.
 223 15TH ST. NE
 SIOUX CENTER, IA 51250
 1-800-222-6283
 www.linkmfg.com