

LINK Auxiliary Suspensions

Link Mfg. Ltd.
223 15th St. N.E.
Sioux Center, IA USA
51250-2120
www.linkmfg.com

**QUESTIONS?
CALL CUSTOMER
SERVICE
1-800-222-6283**

INSTALLATION INSTRUCTIONS AND PARTS LIST

**800A0211
FENDER BRACKET KIT
13.5 AIR DISC BRAKE**



1. INTRODUCTION


IMPORTANT: IT IS IMPORTANT THAT THE ENTIRE INSTALLATION INSTRUCTIONS BE READ THOROUGHLY BEFORE PROCEEDING WITH THE INSTALLATION.

Thank you for choosing a Link 13.5 Air Disc Brake Auxiliary Suspension. We want to help you get the best results from this suspension and to operate it safely. This instruction contains information to assist in the installation of the integrated fender kit assemblies for your Link 13.5 Air Disc Brake Auxiliary Suspension. This instruction is intended solely for use with this product.

All information in this instruction is based on the latest information available at the time of printing. Link Manufacturing reserves the right to change its products or instructions at any time without notice.

Damaged components should be returned to Link with a pre-arranged Returned Materials Authorization (RMA) number through the Customer Service Department. The damaged component may then be replaced if in compliance with warranty conditions.

2. TORQUE SYMBOLS and NOTES

 TORQUE	TORQUE indicates named fasteners are to be tightened to a specified torque value.
---	--

3. INSTALLATION

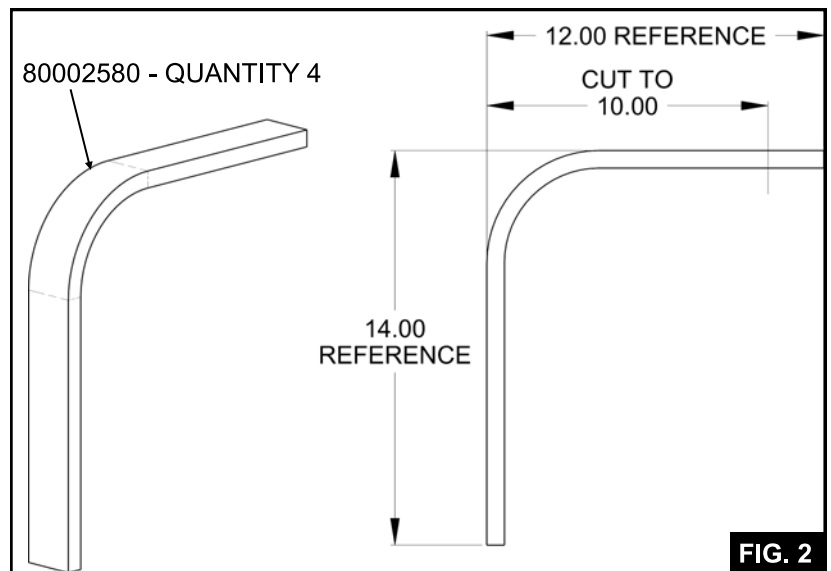
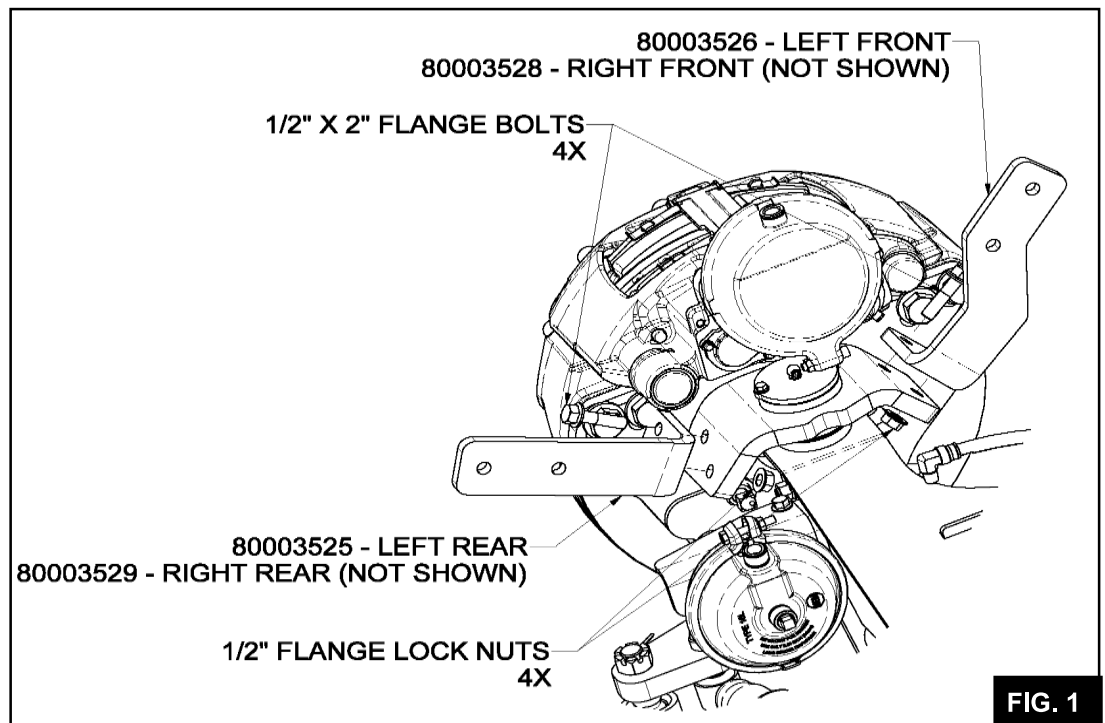
3.1 This kit contains the mounting bracket parts and attachment fasteners for 1 complete axle.

3.2 Install the left hand mounting brackets as shown in **Fig 1**.

3.3  **1/2"** flange fasteners to 100-110 ft-lbs

3.4 Repeat process for the right hand side.

3.5 Cut the 12.00 inch length leg of the 80002580 aluminum fender arms to 10.00 inches if using 12.00 inch wide fenders. See **Fig 2**.



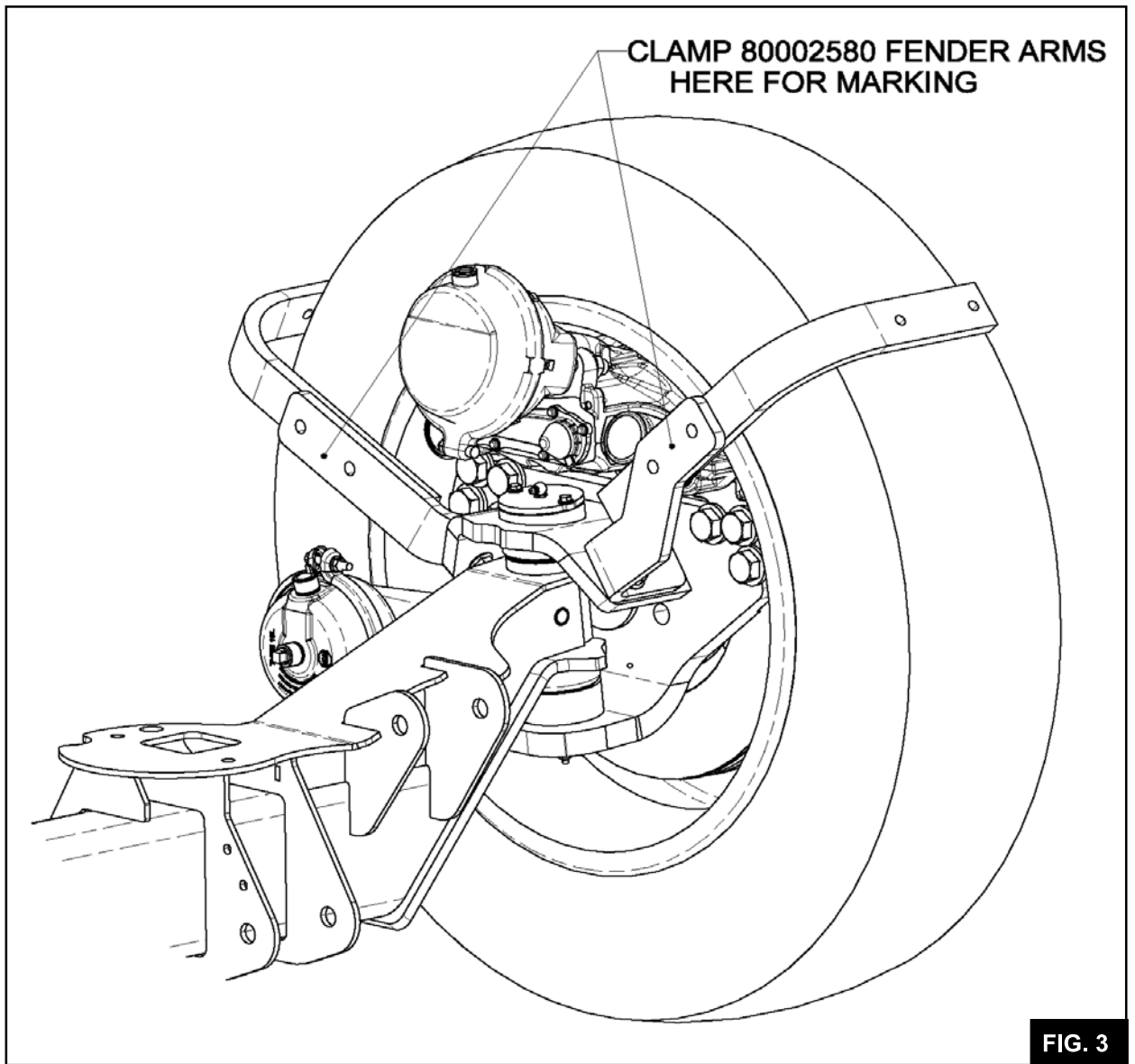


FIG. 3

3. INSTALLATION cont.

3.6 Clamp the fender arms to the mounting brackets as shown in **Fig 3**. Verify that there is approximately 1-1/2" gap between the aluminum fender arm and the tread face of the tire. (See **Fig 4**).

3.7 Mark where to drill the mounting holes in the aluminum fender arms by using the mounting brackets as a template. If necessary, remove the tire for ease of access to the hole locations.

3.8 Drill 9/16" diameter holes for mounting.

3.9 Repeat process for the right hand side.

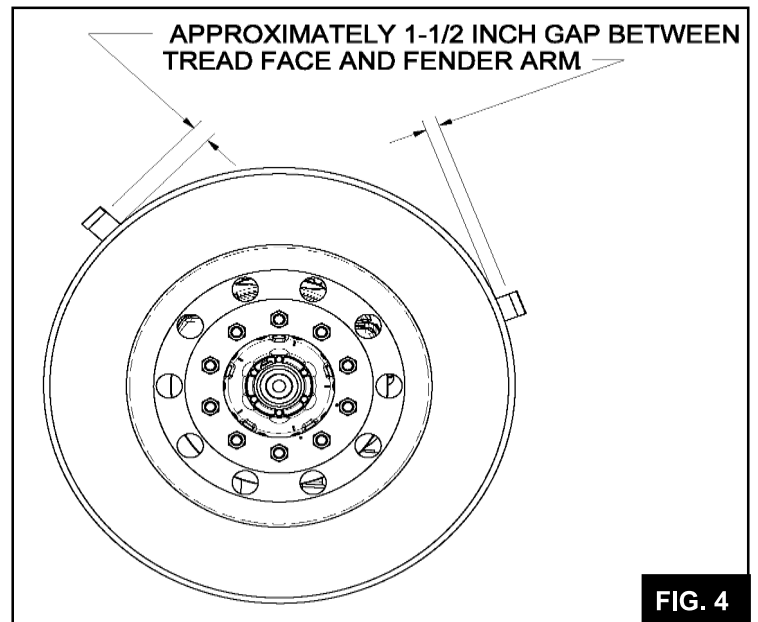
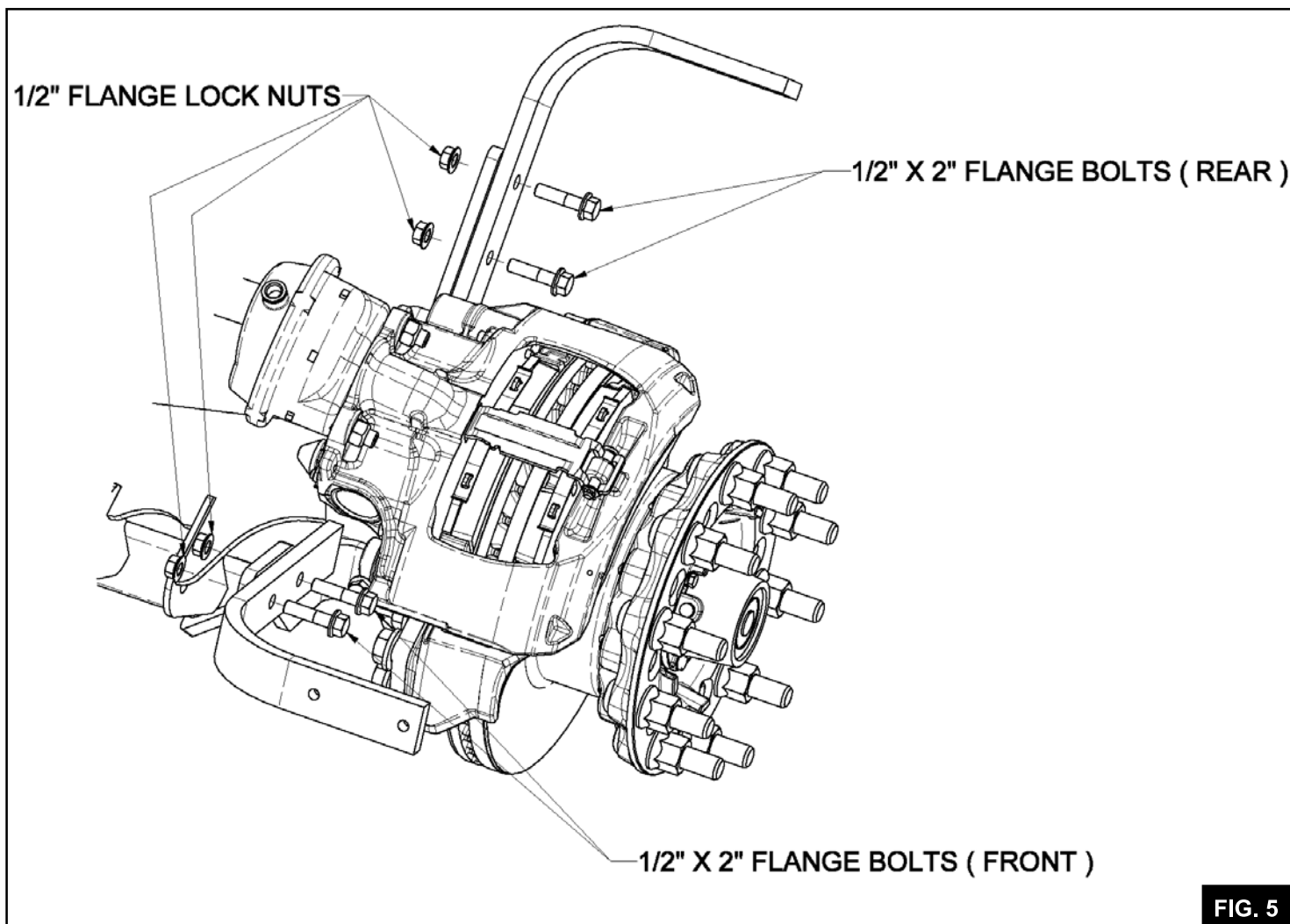


FIG. 4



3. INSTALLATION cont.

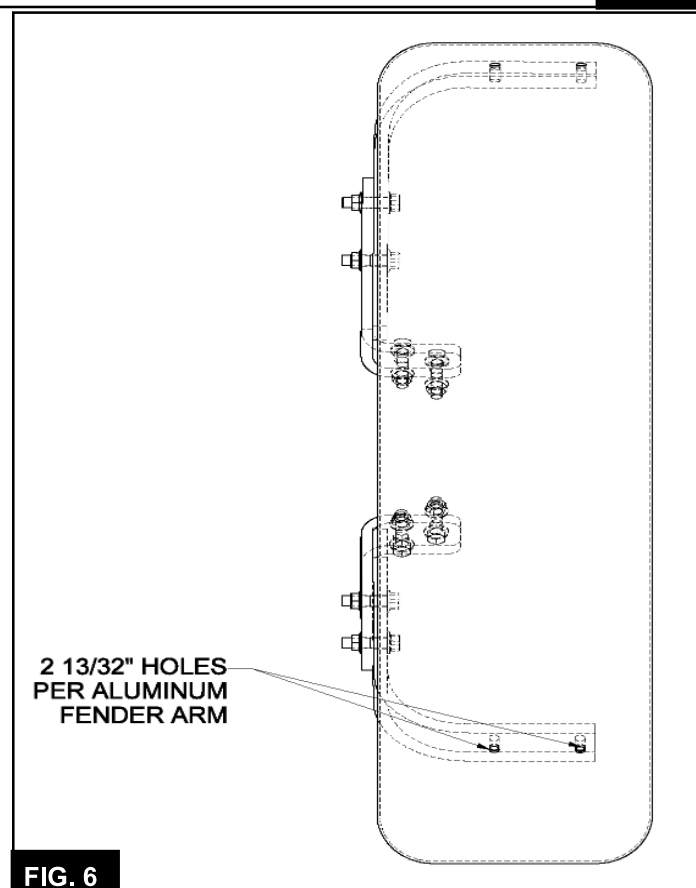
3.10 Assemble the aluminum fender arms to the mounting brackets as shown in Fig 5.

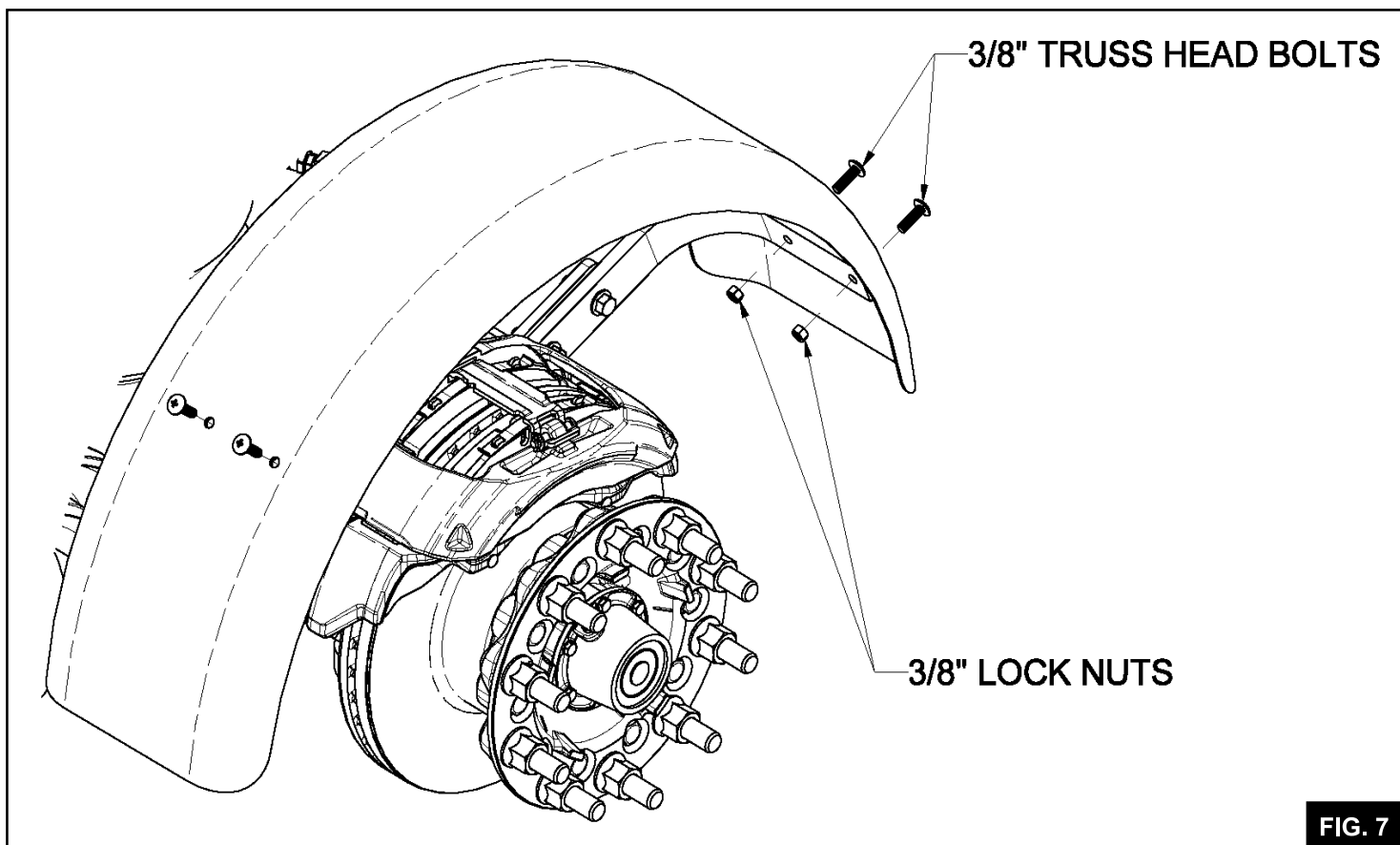
3.11 **TORQUE** 1/2" fasteners to 100-110 FT-LBS.

3.12 Repeat process for the right hand side.

3.13 Place the fender on top of the aluminum fender arms. Rotate the fender to achieve the desired position. Make sure the fender is parallel to the side of the tire.

3.14 Clamp the fender to the aluminum fender arm. Drill two 13/32" diameter holes per aluminum arm as far apart as possible yet centered on the fender and within the flat of the aluminum fender arm as shown in Fig 6.

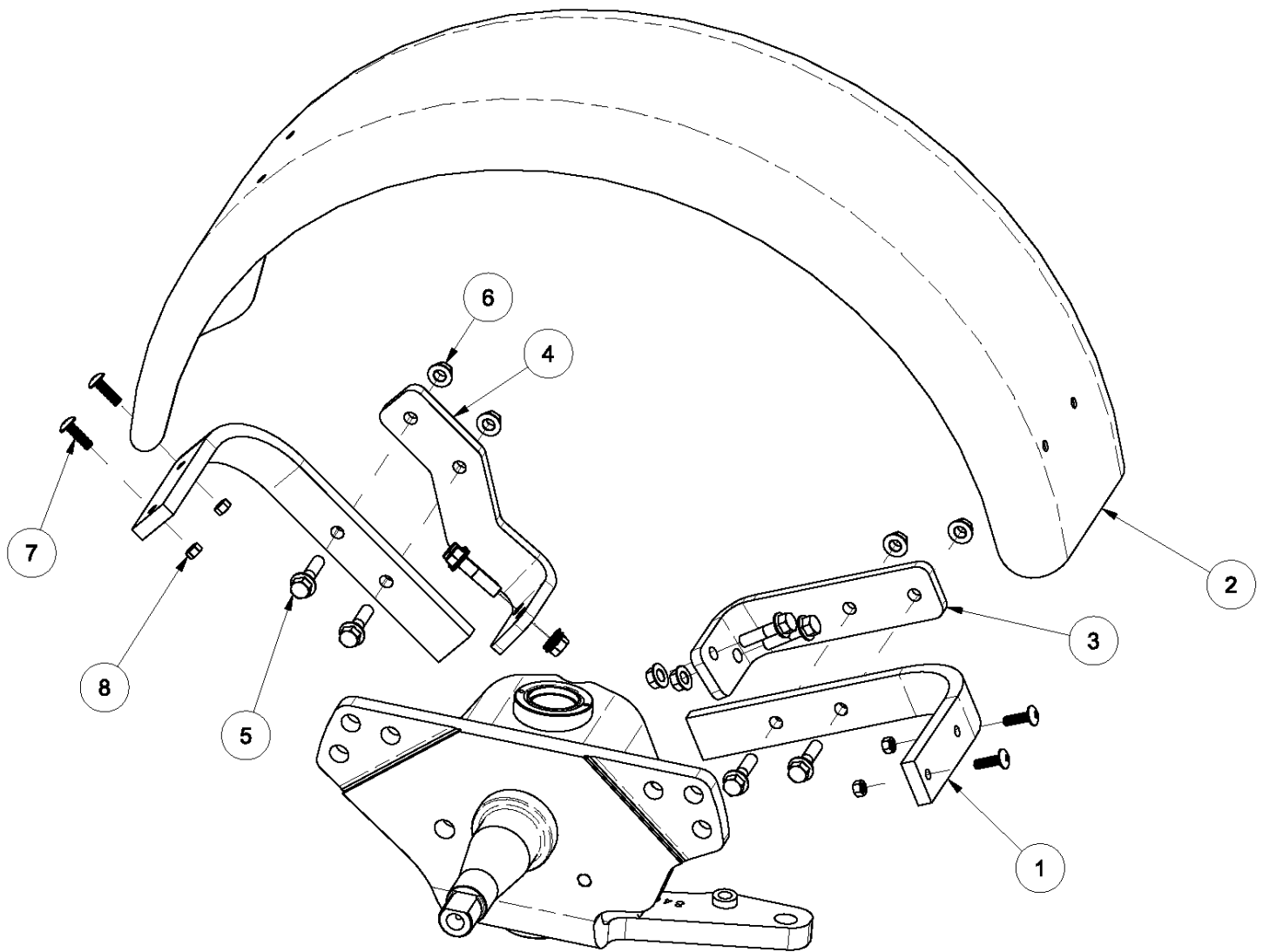




3. INSTALLATION cont.

3.15 Bolt the fenders to the aluminum fender arms with the 3/8" Truss Head Bolts and 3/8" Lock Nuts provided. (See Fig 7)

3.16  **TORQUE** 3/8" fasteners to 15-20 FT-LBS.



NOTE: HOLES DO NOT COME IN ALUMINUM BRACKETS OR FENDERS

ITEM	DESCRIPTION	QTY
1	ARM-ALUMINUM, 5/8" X 12"	4
2	FENDER (Call Link Mfg. for details on Fender Options)	-
3	PLATE-BRACKET, LH REAR FENDER	1
	PLATE-BRACKET, RH REAR FENDER	1
4	PLATE-BRACKET, LH FRONT FENDER	1
	PLATE-BRACKET, RH FRONT FENDER	1
5	1/2" X 2" UNC FLANGE BOLT (GRADE 8)	16
6	1/2" UNC TOP LOCK FL NUT (GR G) O&P	16
7	3/8-16 X 1.25 UNC TRUSS HEAD PHILLIPS SCREW	8
8	3/8-16 UNC TOPLOCK NUT	8



LINK MANUFACTURING, LTD.
 223 15TH ST. NE, SIOUX CENTER, IA 51250
 1-800-222-6283 www.linkmfg.com