



# LINK

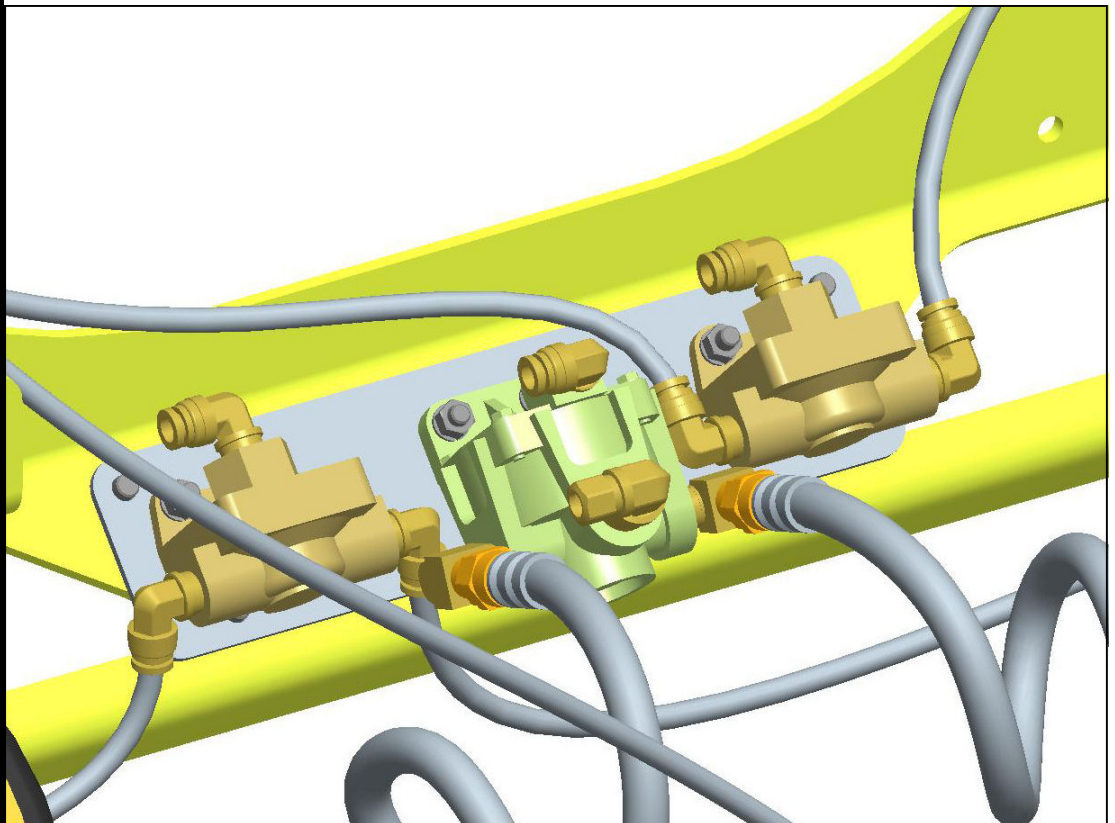
**LIFTABLE**

## SUSPENSIONS

### INSTALLATION INSTRUCTIONS

### PARTS LIST

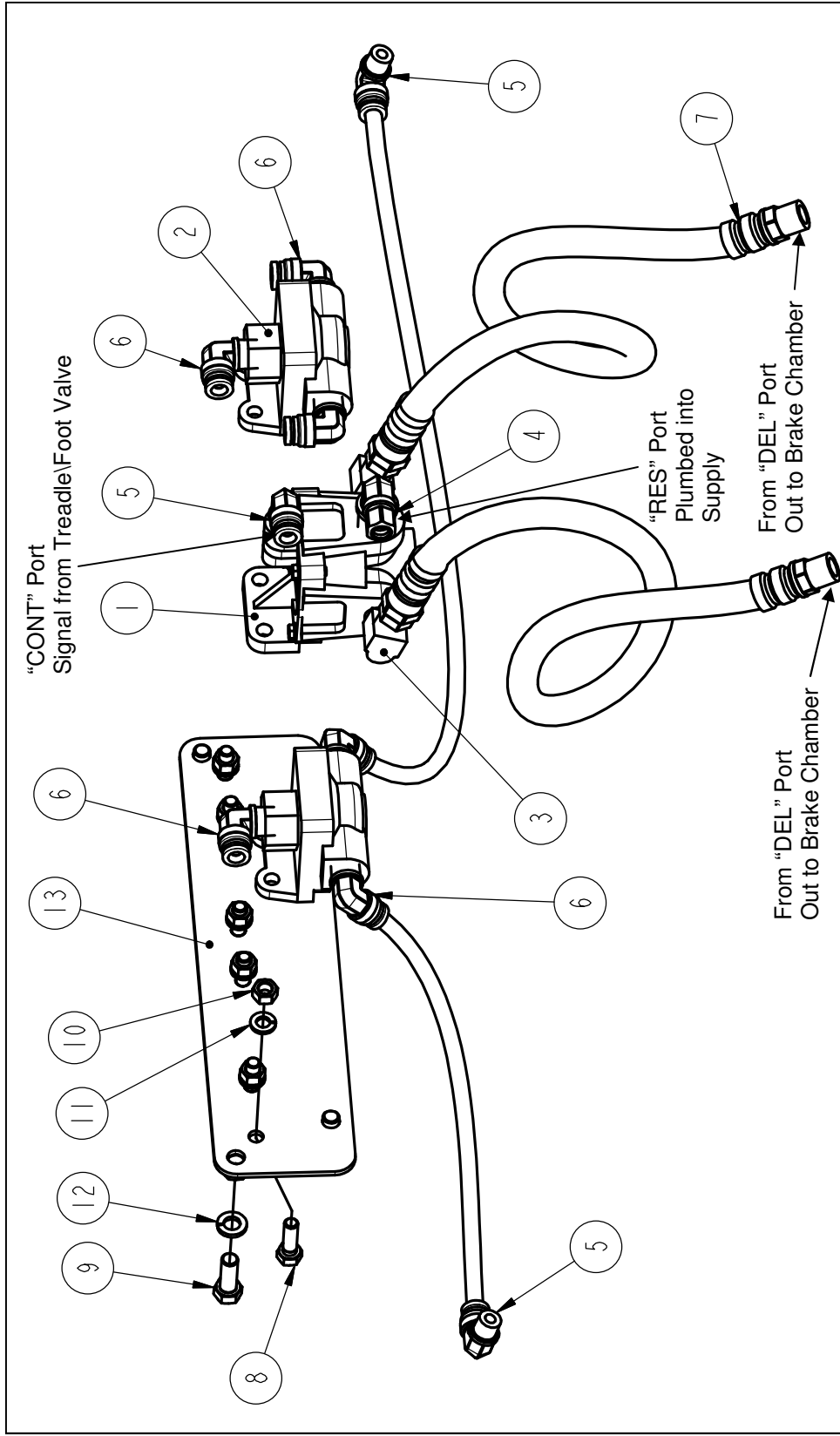
DURAMAX INTEGRATED AIR/AIR  
(800A0097)



Link Mfg. Ltd.  
223 15th St. N.E.  
Sioux Center, IA USA  
51250-2120

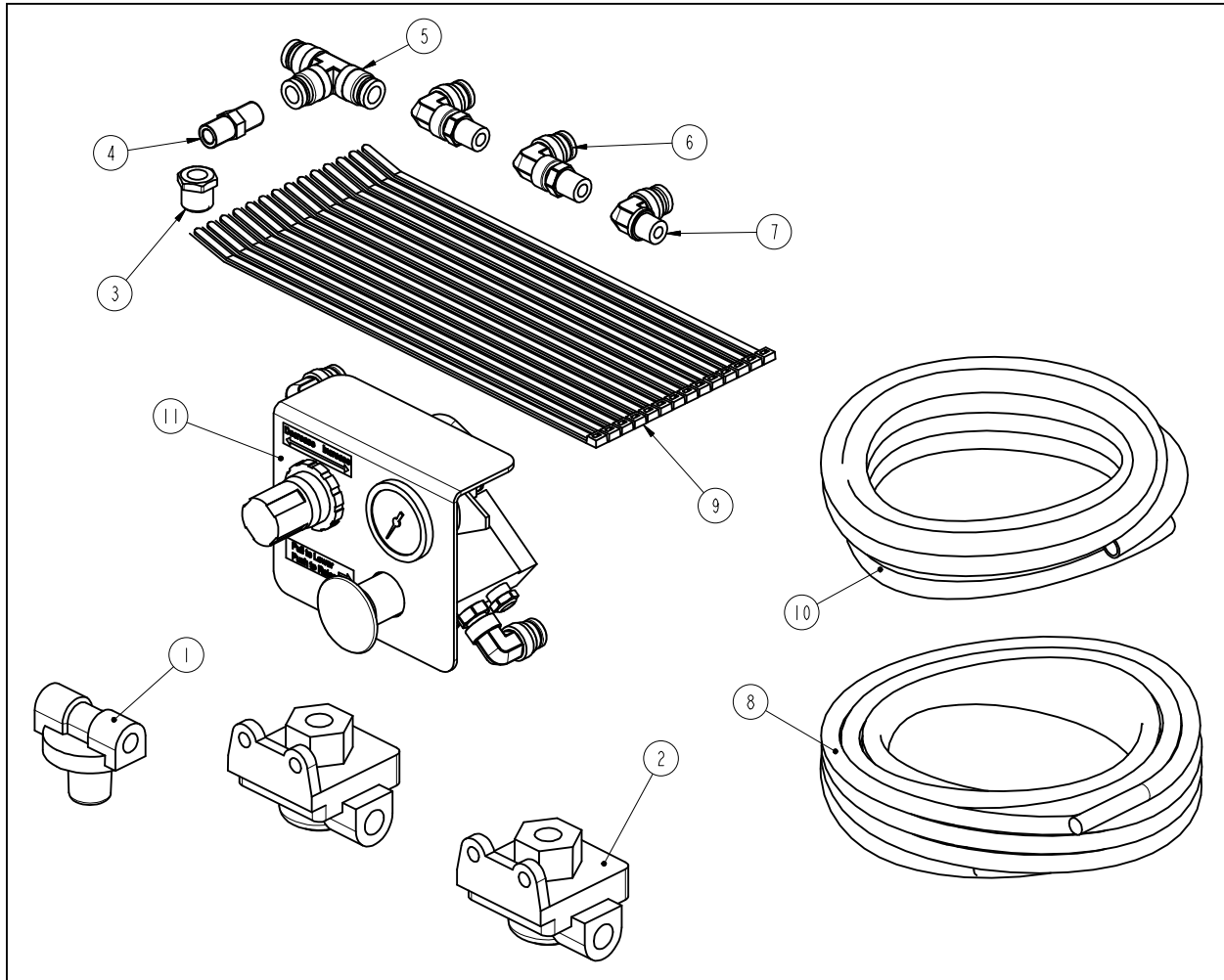
(712) 722-4874  
Fax (712) 722-4876

**QUESTIONS?  
CALL CUSTOMER  
SERVICE  
1-800-222-6283**



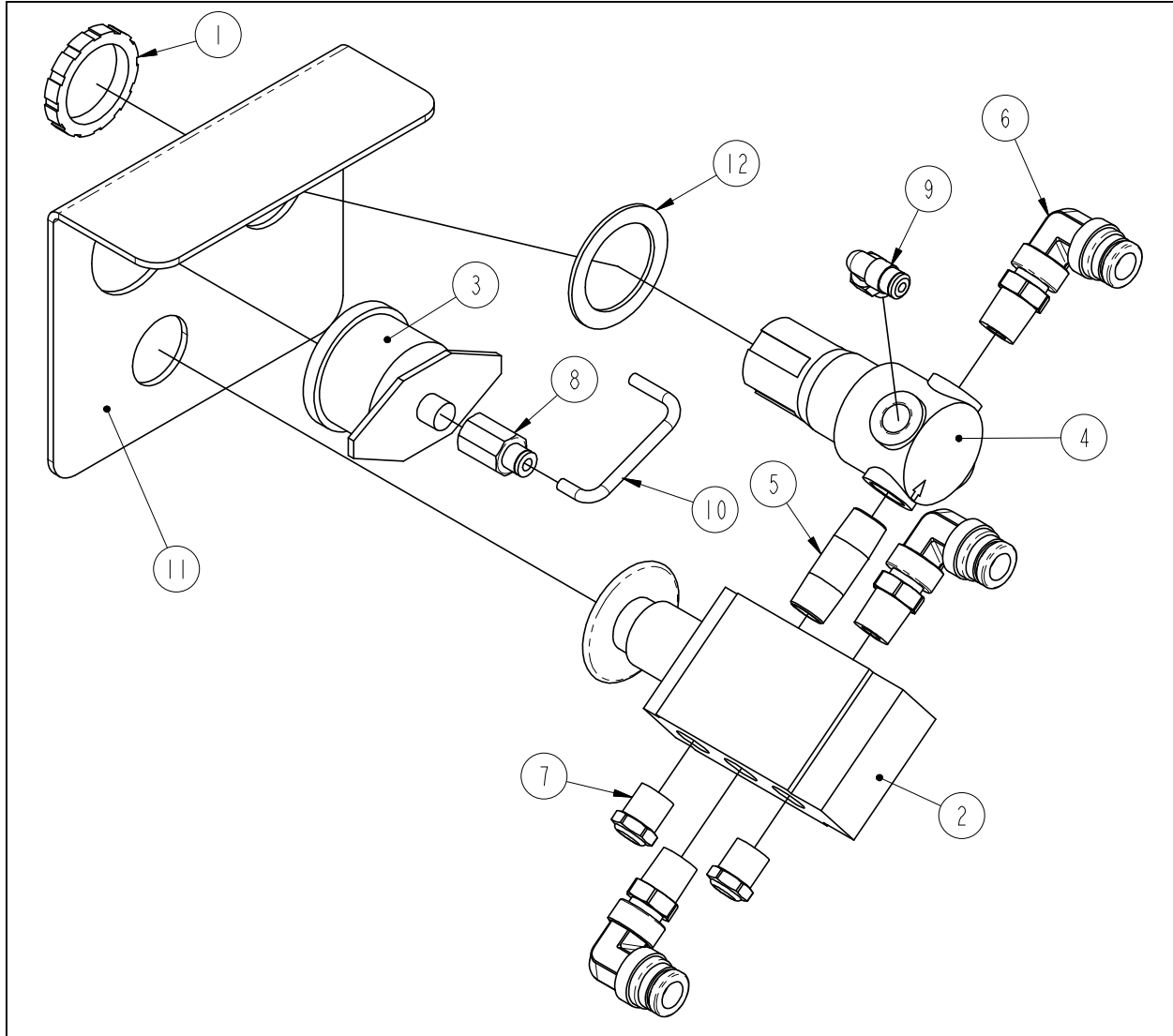
ITEM	PART NUMBER	DESCRIPTION	QTY
1	1301-0508	RELAY VALVE, RG-2, MIDLAND	1
2	13010554	VALVE-QUICK RELEASE	2
3	1302-2102	ELBOW, 90 STREET (3/8-NPT)	2
4	1302-4041	ELBOW-3/8 TB, 1/2 M-NPT	1
5	1302-5104	ELBOW-3/8 TB, 1/4 M-NPT	3
6	1302-5105	ELBOW-3/8 TB, 3/8 M-NPT	6
7	13029972	ASSEMBLY-AIR BRAKE HOSE (26 IN.)	2
8	140B-1008	5/16 X 1 UNC HEX CAP SCR (GR 8) O&P	6
9	140B-1208	3/8 X 1 UNC HEX CAP SCR (GR 8) O&P	4
10	1470-1004	5/16 UNC HEX NUT (GR B) O&P	6
11	1485-1004	5/16 LOCK WASHER OIL&PHOS	6
12	1485-1200	3/8 LOCK WASHER	4
13	800A0099	PANEL-MOUNT, VALVE	1

## Duramax Integrated Air Parts Kit—800A0306



ITEM	PART NUMBER	DESCRIPTION	QTY
1	1301-0084	VALVE-PRESSURE PROTECTION	1
2	13010554	VALVE-QUICK RELEASE	2
3	1302-2016	BUSHING-REDUCER 3/8 M-NPT TO 1/4 F-NPT	1
4	1302-2065	HEX NIPPLE, 1/4 M-NPT	1
5	1302-5061	TEE-UNION, 3/8 TUBE	1
6	1302-5094	ELBOW-SWIV, 3/8 TB, 1/4 M-NPT	2
7	1302-5104	ELBOW-3/8 TB, 1/4 M-NPT	1
8	1303-4000	3/8 AIRLINE	77.6 FT
9	1506-0081	NYLON CABLE TIE, 11" LONG	14
10	15092000	0.375 CORRUGATED LOOM (120.0")	10.0 FT
11	800A0307	CONTROL PANEL, AIR/AIR	1

## Air/Air Control Panel—800A0307



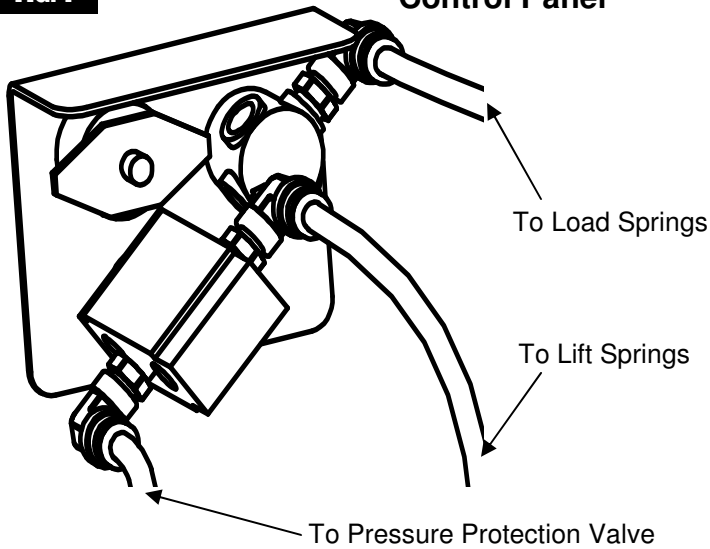
ITEM	PART NUMBER	DESCRIPTION	QTY
1	1301-0505	PANEL NUT	1
2	13010551	VALVE-4 WAY	1
3	13010553	GAUGE-PRESSURE, AIR	1
4	13010560	REGULATOR-AIR PRESSURE	1
5	1302-2045	NIPPLE 1 1/2 X 1/4	1
6	1302-5094	ELBOW-SWIV, 3/8 TB, 1/4 M-NPT	3
7	1302-9989	BREATHER VENT, 1/4 M-NPT	2
8	13025492	CONNECTOR-FEMALE, 5/32 TB, 1/4 NPT	1
9	13025493	ELBOW-SWIV, 5/32 TB, 1/4 M-NPT	1
10	13029965	HOSE, 5/32, BLK POLYPROPYLENE, 4"	1
11	80000386	PANEL-CONTROL	1
12	80001513	SHIM - REGULATOR	1

**NOTES:**

- 1) Use 3/8" DOT airline for all plumbing between fittings as shown per figure 1. Use brass DOT fittings for all plumbing connections.
- 2) Considerations should be made to route all airline in protective locations away from any moving parts.
- 3) Cable ties or other fastening devices may be required to secure airline to truck/suspension.
- 4) Apply Permatex #807 or comparable anaerobic pipe thread sealant to fill three exterior pipe threads on brass fittings and tighten 1-1/2 revolutions beyond hand tight.

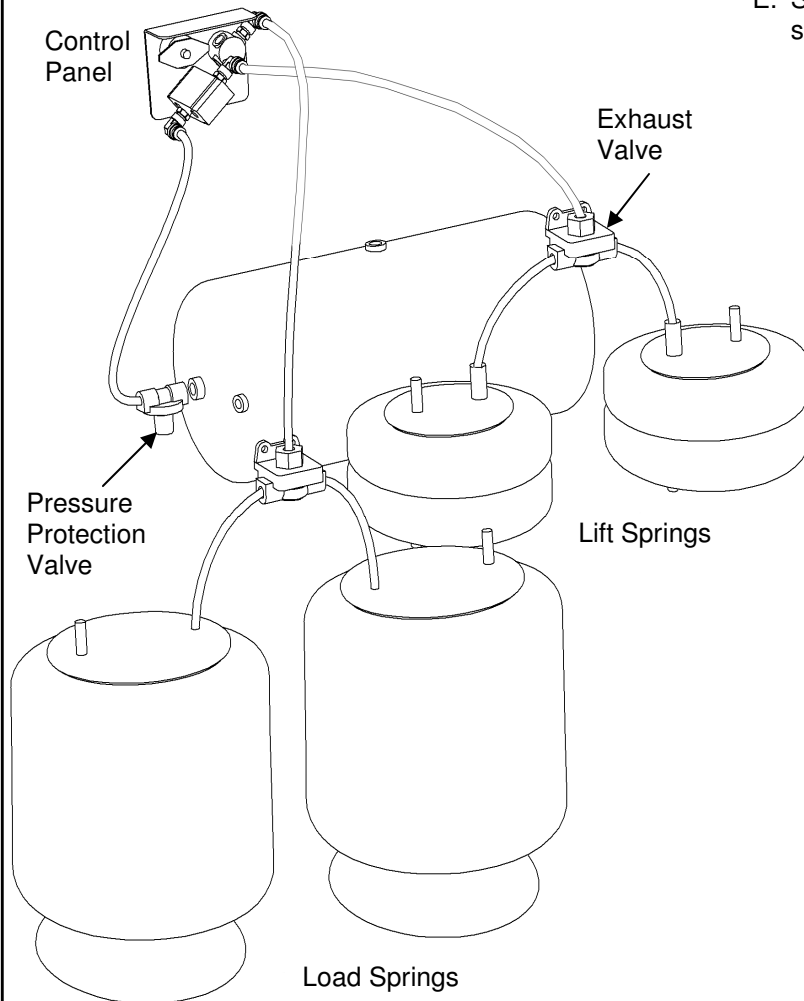
**FIG. 1**

**Control Panel**



**PLUMBING INSTRUCTIONS**

- A. Connect pressure protection valve directly to the air supply tank on the truck. **IMPORTANT:** Make sure direction of flow for the system matches flow indicator on the pressure protection valve.
- B. Install all required fittings into the valves and air springs.
- C. Securely mount the Air Control Panel to the truck exterior in desired location for driver convenience, making sure air controls are easily accessible.
- D. Route all airline to your suspension using plumbing schematic in Figure 1. **NOTE:** Use only air brake tubes that conform to S.A.E J844.
- E. Secure any loose components to the truck. Ensure all tubes are free from kinks.



LINK MANUFACTURING,  
LTD.  
223 15TH ST. NE  
SIOUX CENTER, IA 51250  
1-800-222-6283