

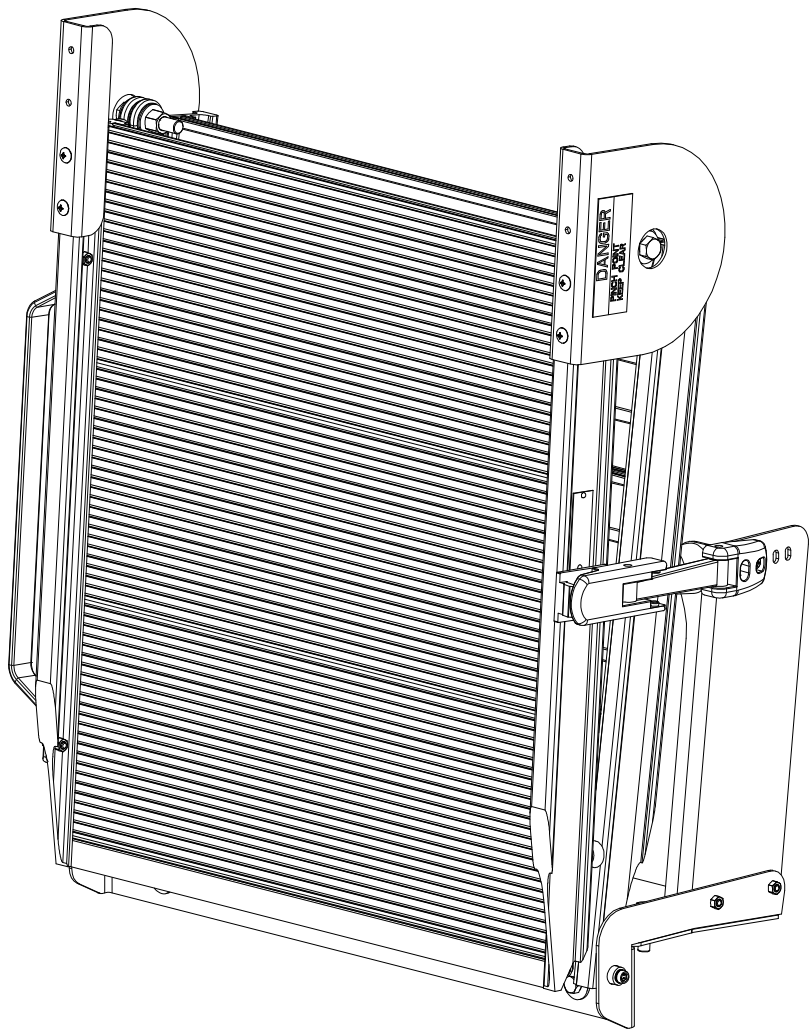


Link Mfg. Ltd.  
223 15th St. N.E.  
Sioux Center, IA USA  
51250-2120  
[www.linkmfg.com](http://www.linkmfg.com)

**QUESTIONS?  
CALL CUSTOMER  
SERVICE  
1-800-222-6283**

# INSTALLATION INSTRUCTIONS

## LB10 SERIES RAMPS



# LINK® MODEL “LB10”

Review the **Parts List** on **Page 3** to become familiar with the different components of the **LB10**. Be sure all items were included before beginning assembly.

**IMPORTANT:** Installation of the **LB10** will vary depending on what type of vehicle you have and how you have it set up. Due to variables in different vehicles, the fit of the **LB10** should be evaluated before beginning installation.

## ⚠WARNING

Link products must be installed by a trained technician when being placed into an Electric Vehicle (EV). Electric Vehicles have higher voltage batteries and cables, and drilling into Electric Vehicles may cause serious bodily harm and possibly death.

Note: Link is not responsible for optional configurations or equipment that restrict the installation of the product in any way. Consult OEM body builder guides for additional installation guidelines.

- A.** The **LB10** Ramp is shipped partially assembled. Complete the assembly of the **LB10** before beginning installation (See **FIG. 2** on **Page 3** for assembly details.)
- B.** Before starting installation, place the **LB10** in position and check all clearance issues. Be sure there is adequate clearance between the **LB10** and the van components (doors, door opening, seat.) Remember: You will need access to both the ramp handle and the lever assisted latch. Typically **LB10** ramps are installed as far forward as possible.
- C.** Once positioned, mark two holes on the top and two holes on the side to mount the ramp. Set aside the ramp and the step mount plate. **Before drilling, verify hole location to be sure they are accessible and will not damage important van components. Check under van to ensure no damage will occur in that area.**
- D.** Drill holes.
- E.** Remove the ramp from the mount plate and bolt the mount plate in place using the supplied fastener. (See **Page 3** for details)
- F.** Attach the ramp and confirm smooth operation and clearances.

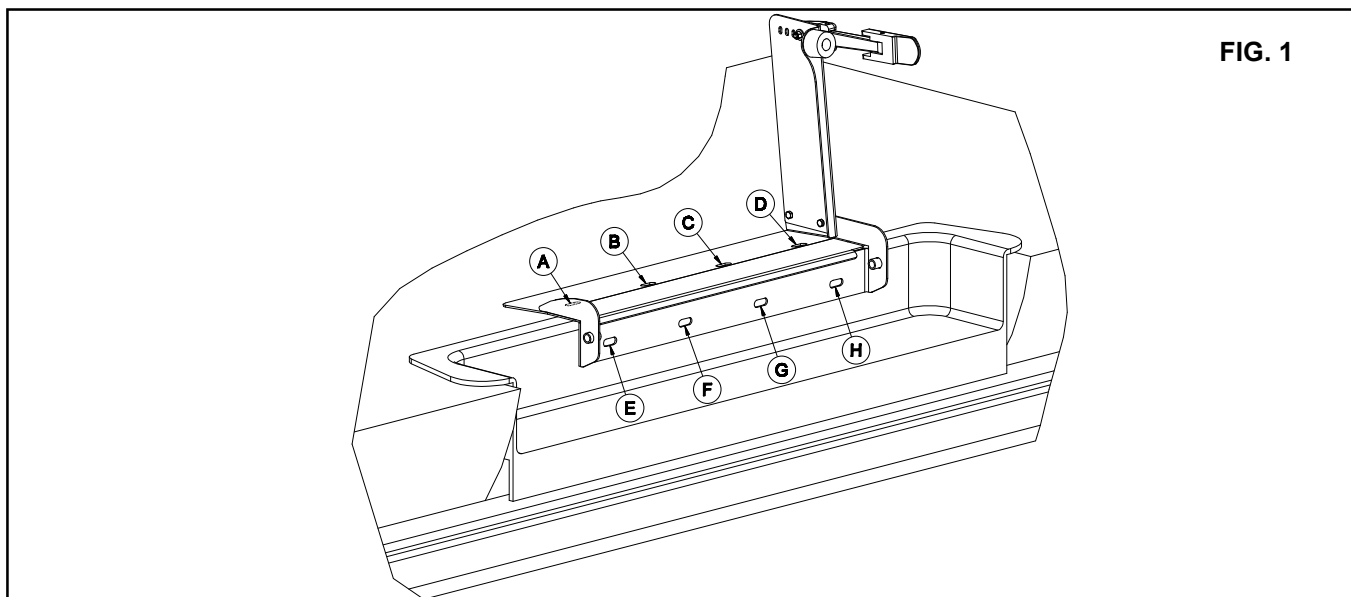
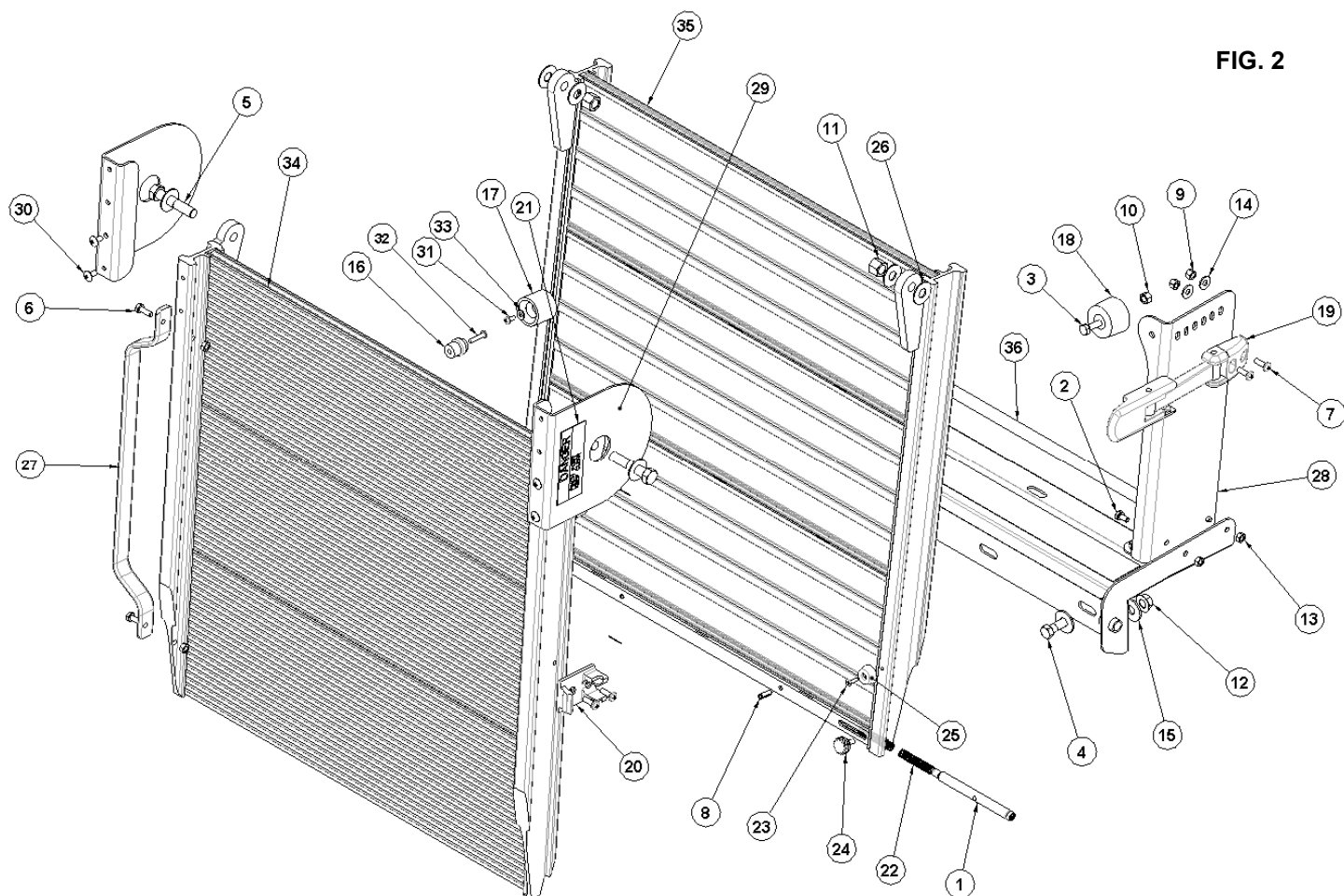


FIG. 1

FIG. 2



### LINK® MODEL "LB10" PARTS LIST

ITEM	DESCRIPTION	QTY	ITEM	DESCRIPTION	QTY
1	BOLT-HINGE ARM	2	19	AEROLATCH-LEVER (LATCH ONLY)	1
2	1/4 X 1/2 UNC HEX CAP SCR	2	20	KEEPER-AEROLATCH	1
3	5/16 X 1 UNC HEX CAP SCR	1	21	DECAL-PINCH POINT	2
4	7/16 X 1 1/2 UNC HEX CAP SCR	4	22	COMPRESSION SPRING	4
5	1/2 X 2 1/2 UNC HEX CAP SCR	2	23	#10 X 3/4 SS FLAT HD TYPE B TAP SCR	2
6	1/4 X 3/4 UNC HEX CAP SCR	2	24	PLASTIC FLUTED KNOB, 1/4-20 X 9/16	2
7	1/4 X 3/4 UNC PAN HD PH MACH SCR	4	25	RUBBER-BUMPER, 1.00 O.D. X .28	2
8	ROLL PIN, 1/4 X 3/4	2	26	WASHER-PLASTIC, .53 ID X 1.25 OD X .063	6
9	1/4 UNC HEX NYLOCK NUT	2	27	HANDLE-LB10	1
10	5/16 UNC HEX NYLOCK NUT	1	28	BRACKET-MOUNT, BUMPER	1
11	1/2 UNC HEX NYLOCK NUT	2	29	GUARD-PINCH POINT	2
12	7/16 UNC SERRATED FLANGE NUT	4	30	1/4 X 1/2 UNC TRUSS HD PH MACH SCR	4
13	1/4 UNC HEX CTR LOCK NUT	4	31	10-24 X 1/2 UNC CR PH MACH SCREW	1
14	1/4 TYPE A PLAIN WASHER	2	32	10-24 X 1 UNC CR PH MACH SCREW	1
15	7/16 TYPE A PLAIN WASHER	8	33	#10 SAE PLAIN WASHER	1
16	RAMP HOLDER, MALE END	1	34	DECK-LOWER	1
17	RAMP HOLDER, FEMALE END	1	35	DECK-UPPER	1
18	BUMPER-JOUNCE, 1.25	1	36	PLATE-MOUNT, STEP	1



LINK MANUFACTURING, LTD.  
223 15TH ST. NE, SIOUX CENTER, IA 51250  
1-800-222-6283 [www.linkmfg.com](http://www.linkmfg.com)