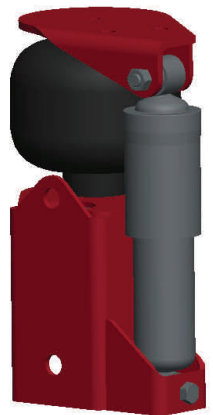
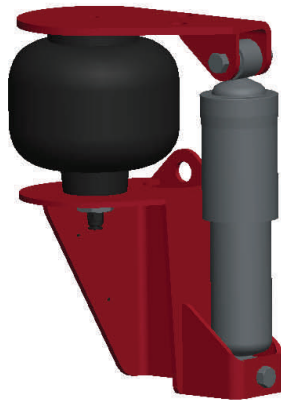


# INSTALLATION INSTRUCTIONS



**Cabmate**<sup>®</sup>  
Cab Air Suspension

**CS160 (2909-A000)**



*Link mfg. Ltd.  
223 15th St. N.E.  
Sioux Center, IA USA  
51250-2120*

*(712) 722-4874  
Fax (712) 722-4876*

**QUESTIONS?  
CALL CUSTOMER  
SERVICE  
1-800-222-6283**

The **CABMATE MODEL CS160** fits most custom built sleepers. It is to be used in conjunction with another cab suspension, like CS120 or CS140

UNIT WEIGHT: 26.2 LB.

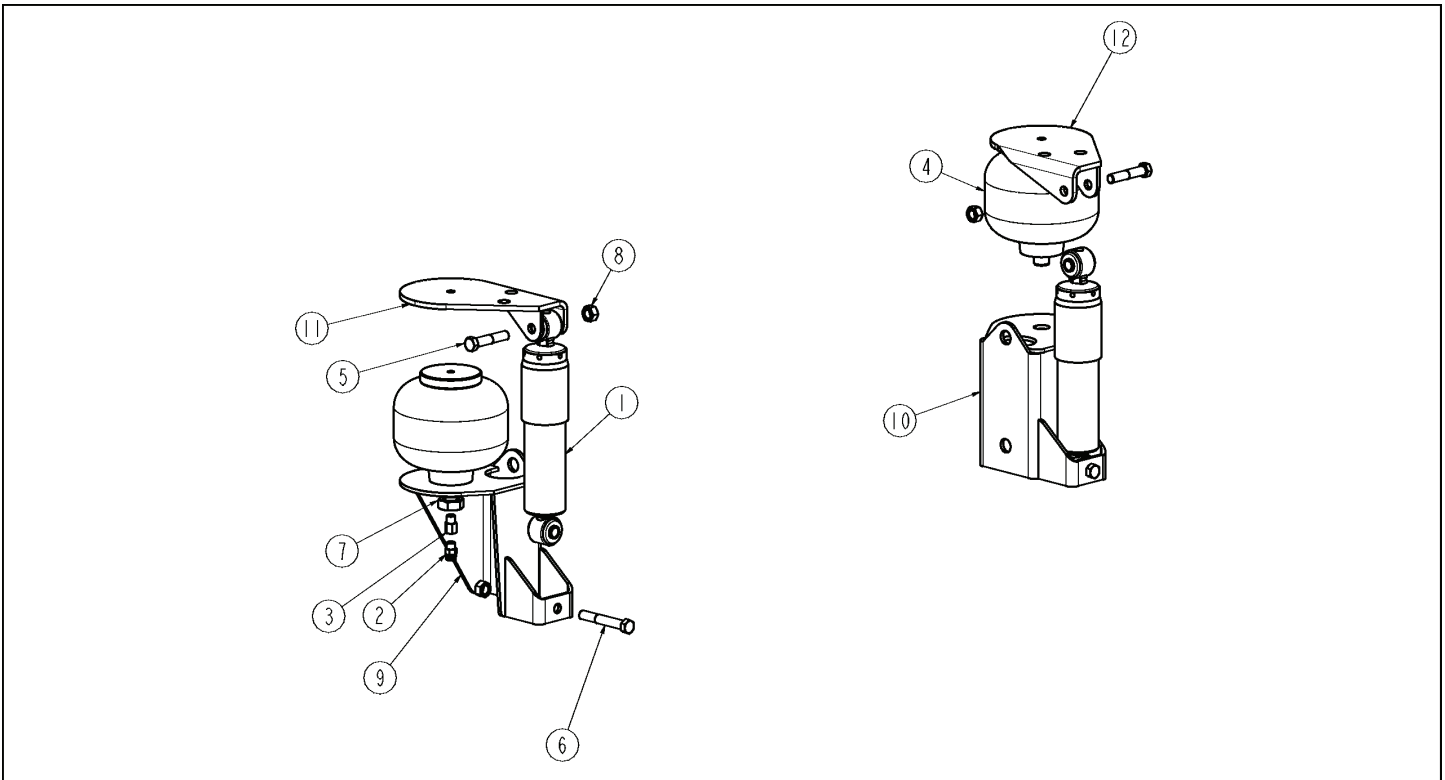
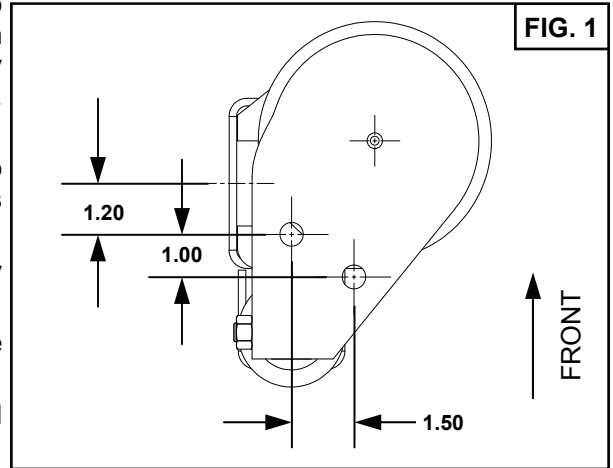
# CABMATE MODEL CS160

Review the Parts List below to become familiar with the different components of the CABMATE.

**IMPORTANT:** Due to many chassis variables caused by installation of special equipment or options, the fit of the CABMATE CS160 may be affected and should be evaluated before beginning installation.

**NOTE:** The CABMATE is designed to be a universal fit, and is not to be used as the main cab suspension. It is designed to work in conjunction with Link Mfg. CABMATE CS120 or CS140. It may require some frame drilling and modifications to the sill of the sleeper. This CABMATE should be installed by a professional.

- A. Drill the mount holes in the bottom mounting sill of the sleeper to the dimensions shown (Fig. 1). Make sure the CABMATE is allined vertically.
- B. Remove the frame mount bolts of the main unit and securely fasten the unit to the frame.
- C. Securely fasten the unit to the to the sleeper sill using 1/2" grade 8 bolts (not supplied).
- D. Plumb both air springs into the "SUSP" side of the height control valve on the main unit (fitting and airline not supplied).



## CABMATE<sup>®</sup> MODEL CS160 PARTS LIST

ITEM	PART #	DESCRIPTION	QTY	ITEM	PART #	DESCRIPTION	QTY
1	12040003	SHOCK ABSORBER	2	8	1477-1400	7/16 UNF HEX CTR LOCK NUT (GR B)	4
2	13025201	CONNECTOR, 1/4 TB 1/8 M-NPT	2	9	2909-1000	BRACKET-MOUNT, AUX. FRAME	1
3	13500505	RESTRICTOR FITTING	2	10	2909-1001	BRACKET-MOUNT, AUX. FRAME	1
4	1102-0074	SPRING-AIR	2	11	2909-1002	BRACKET-MOUNT, AUX. SLEEPER	1
5	1403-1418	7/16 X 2 1/4 UNF HEX CAP SCR (GR 5)	2	12	2909-1003	BRACKET-MOUNT, AUX. SLEEPER	1
6	1403-1424	7/16 X 3 UNF HEX CAP SCR (GR 5)	2	-	3909-1000	KIT-DOCUMENT, CS160	1
7	1475-2400	3/4 UNF HEX JAM NUT	2				