

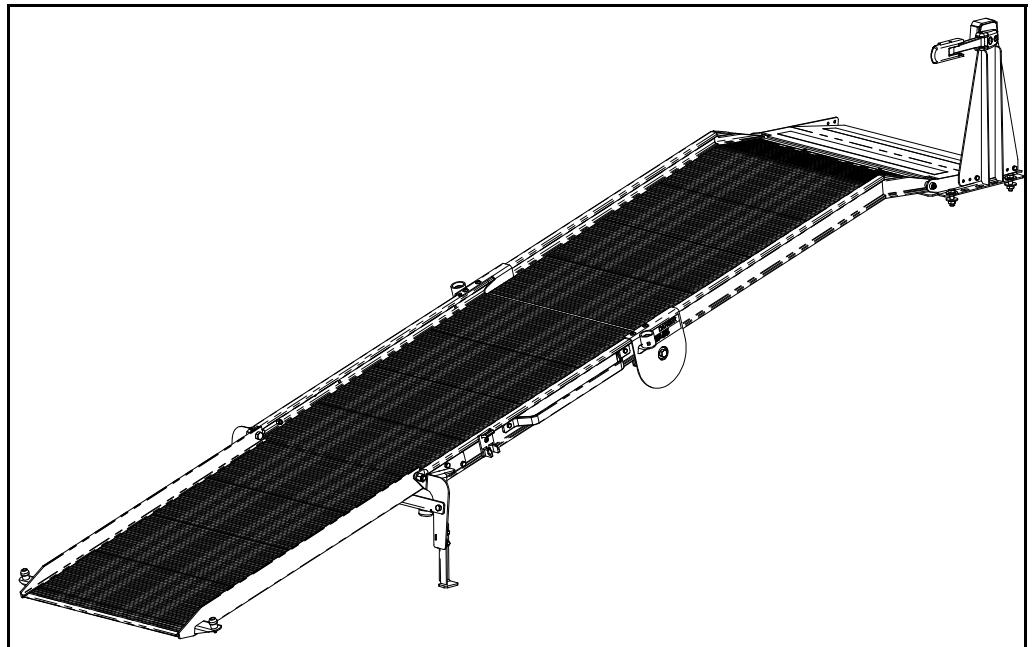


INSTALLATION INSTRUCTIONS

24" LT30 (78524A01)

30" LT30 (78524A02)

36" LT30 (78524A03)



*Link Mfg. Ltd.
223 15th St. N.E.
Sioux Center, IA USA
51250-2120*

*(712) 722-4868
Fax (712) 722-4779*

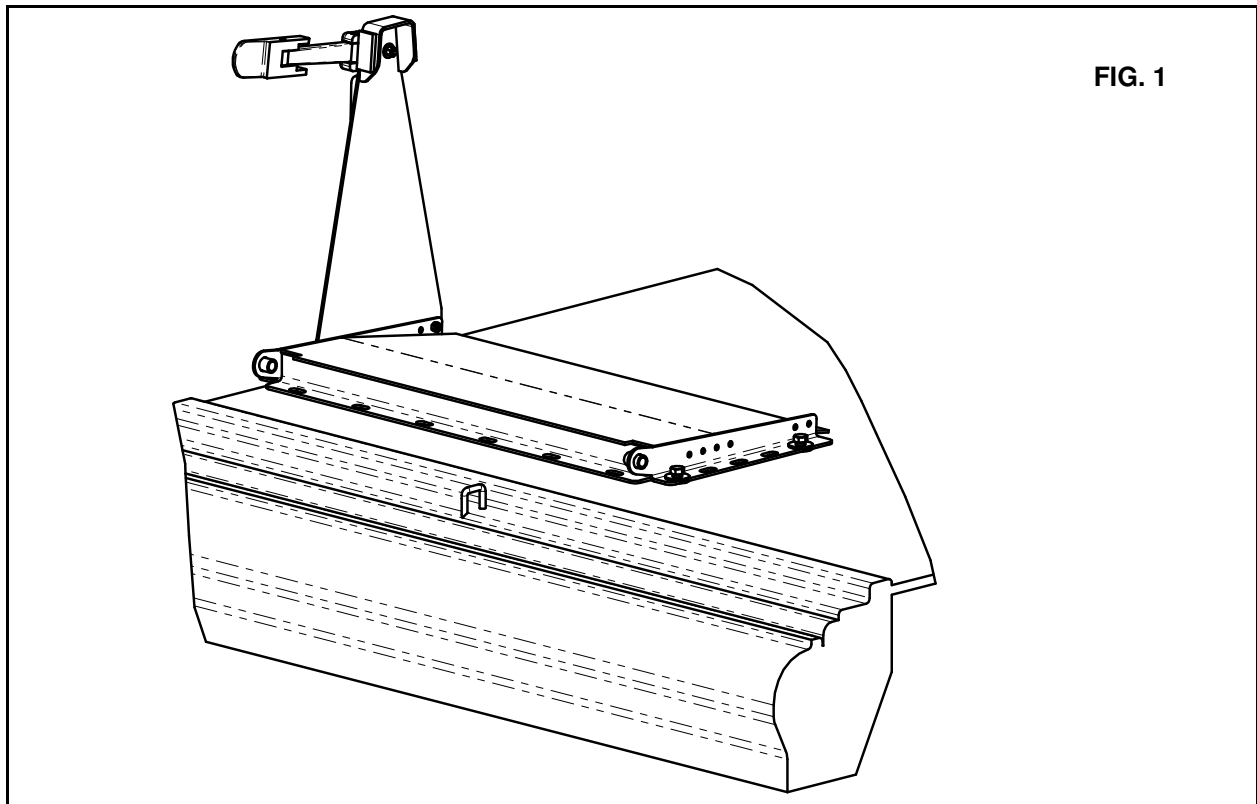
**QUESTIONS?
CALL CUSTOMER
SERVICE
1-800-248-3057
www.linkcmp.com**

LINK MODEL “LT30”

Review the **Parts List** on **Page 3** to become familiar with the different components of the **LT30**. Be sure all items were included before beginning assembly.

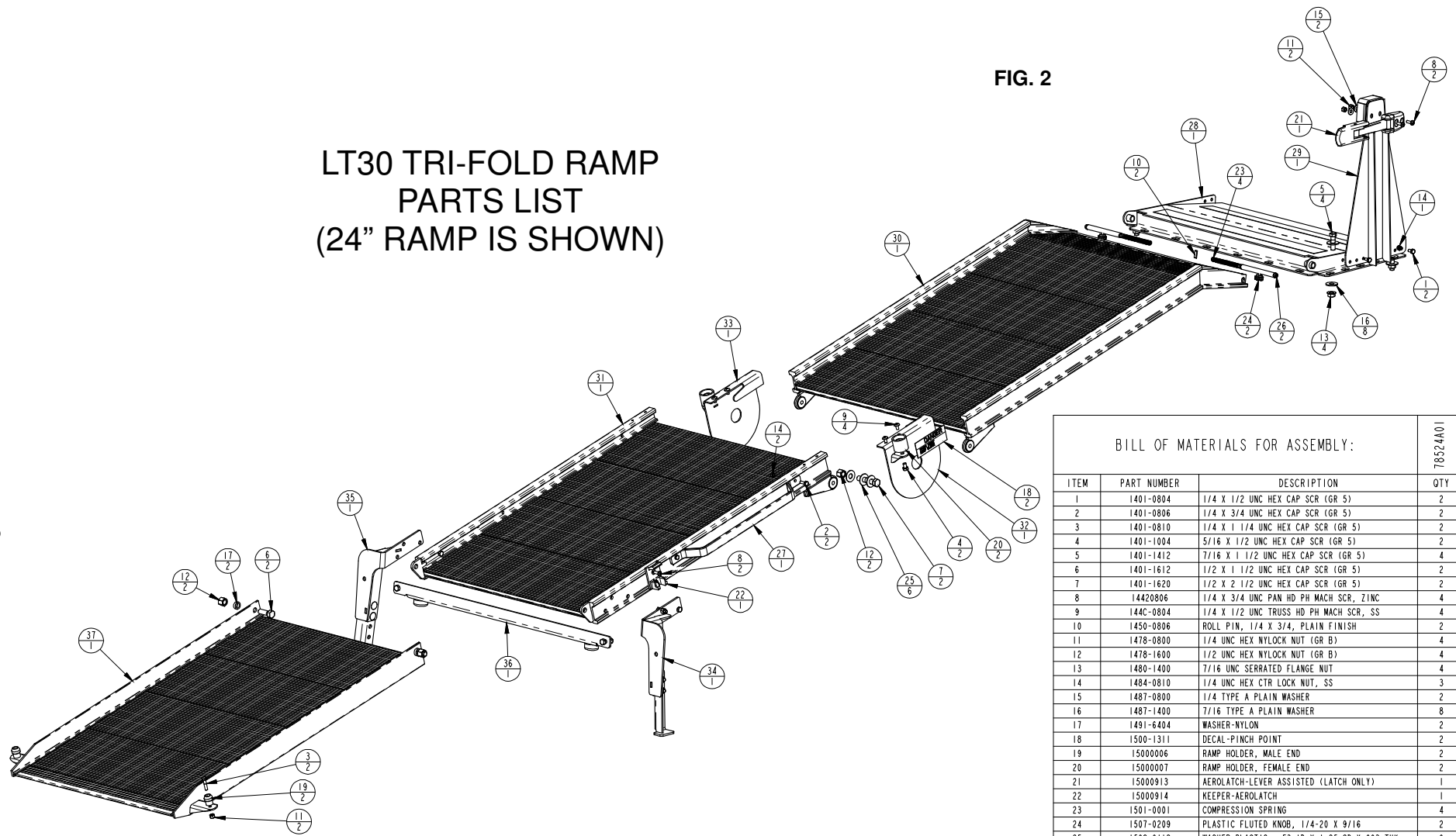
IMPORTANT: Installation of the **LT30** will vary depending on what type of vehicle you have and how you have it set up. Due to variables in different vehicles, the fit of the **LT30** should be evaluated before beginning installation.

- A.** The **LT30** Ramp is shipped partially assembled. Complete the assembly of the **LT30** before beginning installation (See **FIG. 1** and **FIG. 2** for assembly details.) The bumper plate, latch, and keeper (Item #'s 29, 21, and 22) can be installed on either side of the ramp depending on user preference.
- B.** Before installation, place the **LT30** in position and check all clearance issues. Be sure there is adequate clearance between the **LT30** and the van components (doors, door opening, roof, etc.) Remember: You will need access to both the ramp handle (Item #27) and the latch (Item #21.)
- C.** Once positioned, locate 4 holes on the mount plate (Item #28) that when drilled will clear fuel tank, frame, exhaust, and other components under the floor of the van. Mark the 4 holes to be used for mounting the **LT30**. Set aside the ramp and the mount plate. **Important: Before drilling, double check that these holes are accessible and will not damage important van components. Check under the van to ensure no damage will occur in that area.**
- D.** Drill four 7/16” holes.
- E.** Remove the ramp from the mount plate and bolt the mount plate in place using the supplied fasteners (Item #'s 5, 13, and 16.) (See **Page 3** for details.)
- F.** Attach the ramp and confirm smooth operation and clearances.
- G.** If a different ramp angle is desired, the length of the ramp legs can be changed by moving the foot brackets.



LT30 TRI-FOLD RAMP PARTS LIST (24" RAMP IS SHOWN)

FIG. 2



BILL OF MATERIALS FOR ASSEMBLY:

ITEM	PART NUMBER	DESCRIPTION	QTY
1	1401-0804	1/4 X 1/2 UNC HEX CAP SCR (GR 5)	2
2	1401-0806	1/4 X 3/4 UNC HEX CAP SCR (GR 5)	2
3	1401-0810	1/4 X 1 1/4 UNC HEX CAP SCR (GR 5)	2
4	1401-1004	5/16 X 1/2 UNC HEX CAP SCR (GR 5)	2
5	1401-1412	7/16 X 1 1/2 UNC HEX CAP SCR (GR 5)	4
6	1401-1612	1/2 X 1 1/2 UNC HEX CAP SCR (GR 5)	2
7	1401-1620	1/2 X 2 1/2 UNC HEX CAP SCR (GR 5)	2
8	14420806	1/4 X 3/4 UNC PAN HD PH MACH SCR, ZINC	4
9	144C-0804	1/4 X 1/2 UNC TRUSS HD PH MACH SCR, SS	4
10	1450-0806	ROLL PIN, 1/4 X 3/4, PLAIN FINISH	2
11	1478-0800	1/4 UNC HEX NYLOCK NUT (GR B)	4
12	1478-1600	1/2 UNC HEX NYLOCK NUT (GR B)	4
13	1480-1400	7/16 UNC SERRATED FLANGE NUT	4
14	1484-0810	1/4 UNC HEX CTR LOCK NUT, SS	3
15	1487-0800	1/4 TYPE A PLAIN WASHER	2
16	1487-1400	7/16 TYPE A PLAIN WASHER	8
17	1491-6404	WASHER-NYLON	2
18	1500-1311	DECAL-PINCH POINT	2
19	15000006	RAMP HOLDER, MALE END	2
20	15000007	RAMP HOLDER, FEMALE END	2
21	15000913	AEROLATCH-LEVER ASSISTED (LATCH ONLY)	1
22	15000914	KEEPER-AEROLATCH	1
23	1501-0001	COMPRESSION SPRING	4
24	1507-0209	PLASTIC FLUTED KNOB, 1/4-20 X 9/16	2
25	1508-0112	WASHER-PLASTIC, .53 ID X 1.25 OD X .063 THK	6
26	7000-0034	BOLT-HINGE ARM	2
27	7850-0004	HANDLE-LB10	1
28	7851-1000	PLATE-MOUNT, REAR	1
29	7851-2000	PLATE-BUMPER	1
30	78524001	WELDMENT-RAMP, TOP	1
31	78524031	WELDMENT-RAMP, MIDDLE	1
32	78524041	GUARD-HINGE	1
33	78524042	GUARD-HINGE	1
34	78524047	ASSEMBLY-BRACKET, LEG	1
35	78524048	ASSEMBLY-BRACKET, LEG	1
36	78524050	ASSEMBLY-STRAP, LEG	1
37	78524061	WELDMENT-RAMP, BOTTOM	1
38	78524070	MANUAL-INSTALLATION, LT30 RAMP	1

78524001