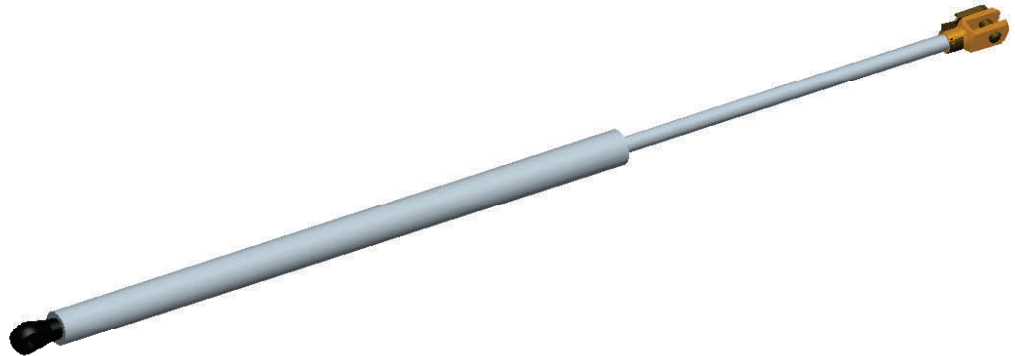




# INSTALLATION INSTRUCTIONS

**LB20 GAS SPRING KITS:**  
15040324 (250LB), 15040328 (200LB),  
15040330 (150LB), & 15040332(100LB)



*Link Mfg. Ltd.  
223 15th St. N.E.  
Sioux Center, IA USA  
51250-2120*

*(712) 722-4868  
Fax (712) 722-4779*

**QUESTIONS?  
CALL CUSTOMER  
SERVICE  
1-800-248-3057  
[www.linkcmp.com](http://www.linkcmp.com)**

Application: Fits LB20 ramps with the lift assist option.

**IMPORTANT: IT IS IMPORTANT THAT THE ENTIRE INSTALLATION INSTRUCTIONS BE READ THOROUGHLY BEFORE PROCEEDING WITH GAS SPRING INSTALLATION.**

## **1. INTRODUCTION**

Thank you for choosing a Link Cargo Management Product. We want to help you to get the best results from the ramp and to operate it safely. This manual contains information to assist you with the gas spring replacement. The manual is intended solely for use with this product.

All information in this manual is based on the latest information available at the time of printing. Link Manufacturing reserves the right to change its products or manuals at any time without notice. Contact Link CMP at (800) 248-3057 for information on recent changes to products.

Damaged components should be returned to Link with a pre-arranged Returned Goods Authorization (RGA) number through the Customer Service Department. The damaged component may then be replaced if in compliance with warranty conditions.

## **2. SAFE WORKING PRACTICES:**

### **CAUTION**

- Wear appropriate gloves, eyeglasses, ear protection, and other safety equipment when handling parts.
- Practice safe lifting procedures. Consider size, shape, and weight of assemblies. Obtain help or the assistance of a crane when lifting heavy assemblies. Make certain the path of travel is clear.

## **3. INSTALLATION GUIDELINES**

- 3.1 In order for this gas spring to operate properly, it must operate in the parameters specified by Link.
- 3.2. The installer must verify the gas spring is configured properly for installation.
- 3.3. No alteration of any Link Ramp or List Assist components are permitted without proper authorization from qualified Link personnel.

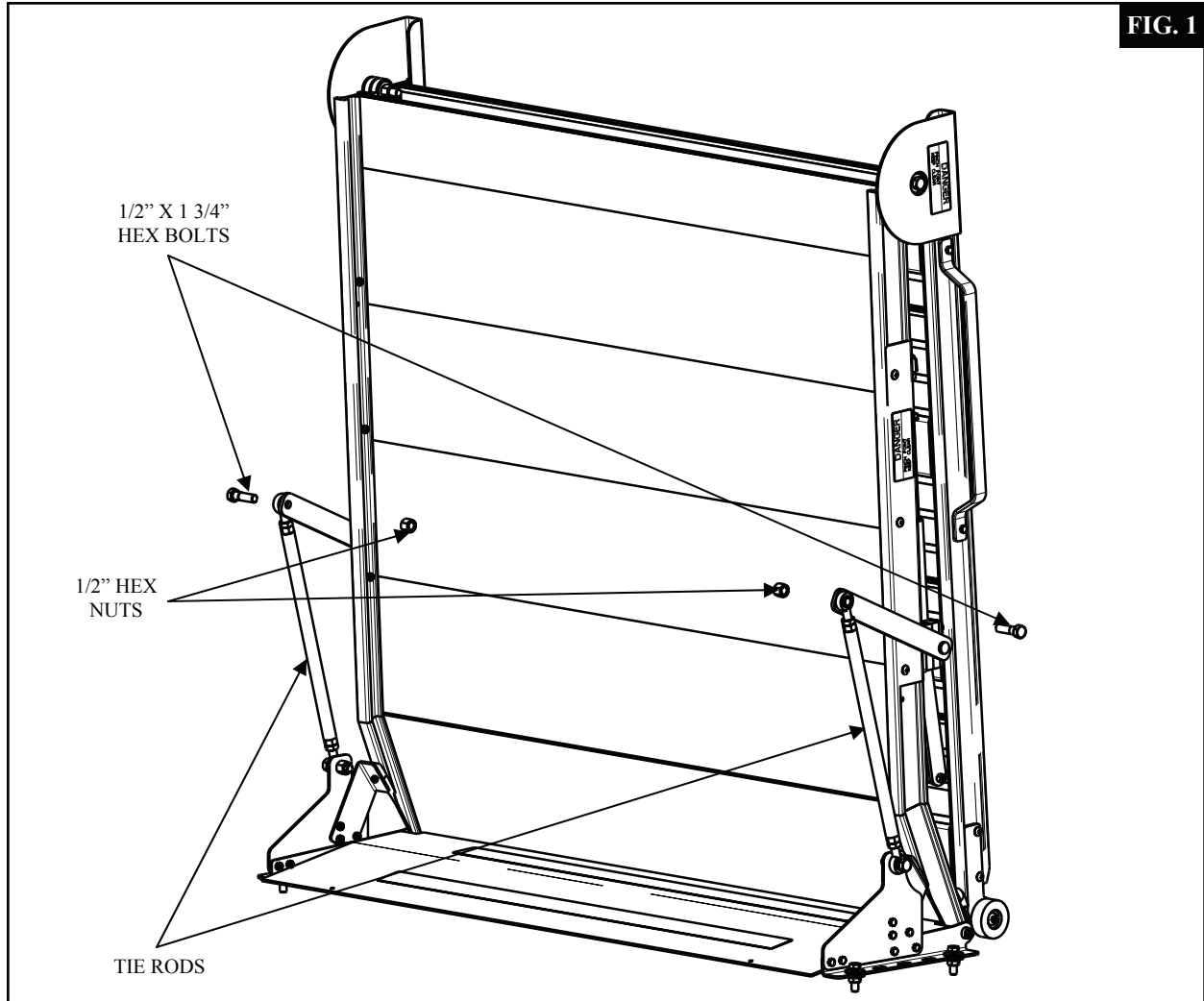
### **WARNING**

- Proper tightening of fasteners is important to the performance and safety of this product.
- Make certain the vehicle is in placed in park on a flat surface, and the parking brake is engaged.

#### 4. REMOVAL OF TIE ROD BOLTS

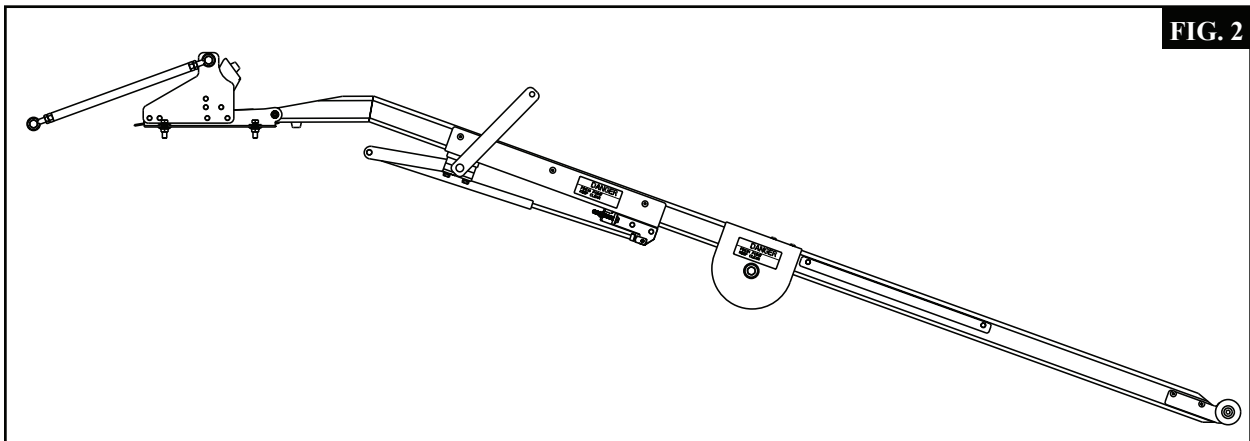
4.1 Bring the ramp to the fully raised position. (FIG. 1)

4.2 Remove the two 1/2" X 1 3/4" hex bolts and 1/2" hex nuts using a 3/4" wrench and socket. (FIG. 1)



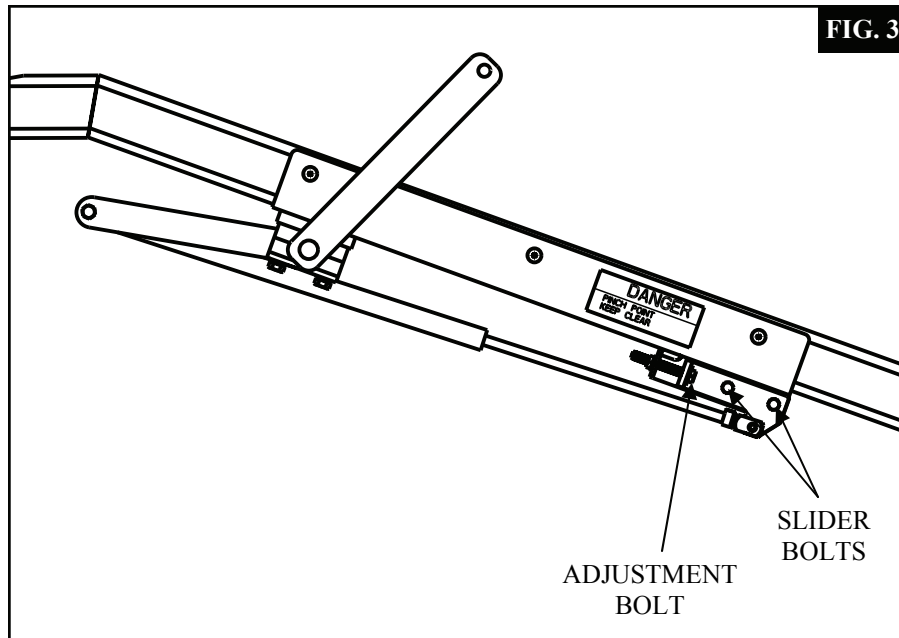
## 5. REMOVAL OF GAS SPRING.

5.1 Using caution, bring the ramp into the lowered position. (This may take two people being that the spring assist is no longer active.) (FIG. 2)

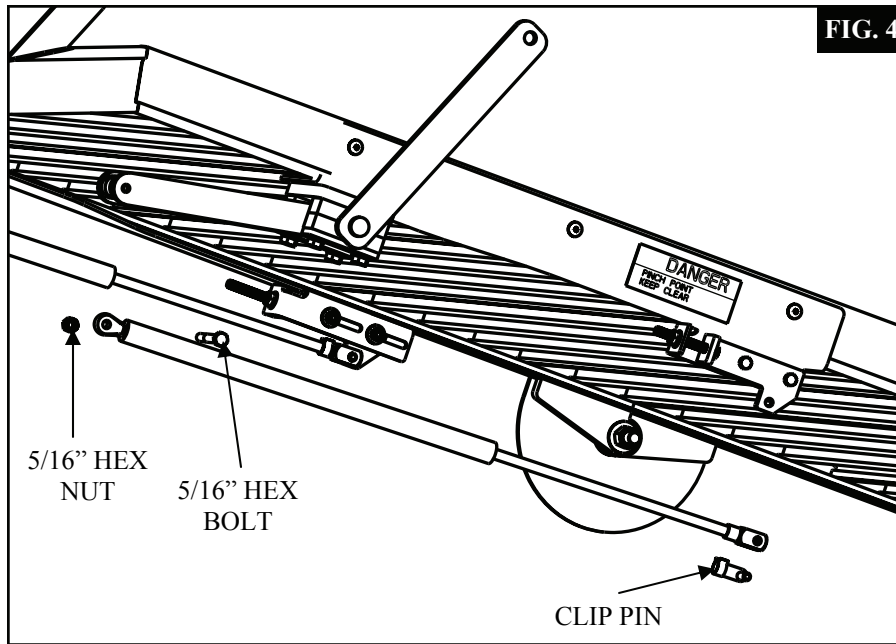


5.2 Using a 7/16" wrench and socket **loosen** the two slider bolts. (**DO NOT REMOVE**) (FIG. 3)

5.3 Using a 1/2" socket turn the adjustment bolt counter clockwise until spring is loose on mounts. (FIG. 3)



- 5.4 Using a 1/2" wrench and socket remove the 5/16" hex bolt and nut holding the gas spring to the swing arm. (FIG. 4)
- 5.5 Remove the clip pin from the lower rod end of gas spring. (FIG.4)



## 6. INSTALLATION OF NEW GAS SPRING.

- 6.1 Using the new 5/16" X 2 1/4" hex bolt and 5/16" hex nut bolt the gas spring onto the swing arm. **(DO NOT OVER TIGHTEN. THE GAS SPRING SHOULD BE ABLE TO FREELY PIVOT IN SWING ARM.)**
- 6.2 Place the clip pin into the lower rod end of the gas spring and clip into place.
- 6.3 Turn the adjustment bolt clockwise until the slider is tight against the mount bracket.
- 6.4 Retighten the two slider bolts.
- 6.5 Using caution, return the ramp to the folded position **(This may take two people being that the spring assist is no longer active.)**
- 6.6 Reattach the tie rods using the two 1/2" X 1 3/4" hex bolts and 1/2" hex nuts
- 6.7 Verify that the spring assist is working properly.



*Link Mfg. Ltd.  
223 15th St. N.E.  
Sioux Center, IA USA  
51250-2120*