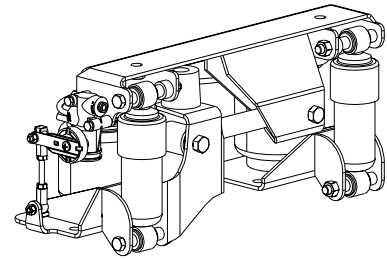
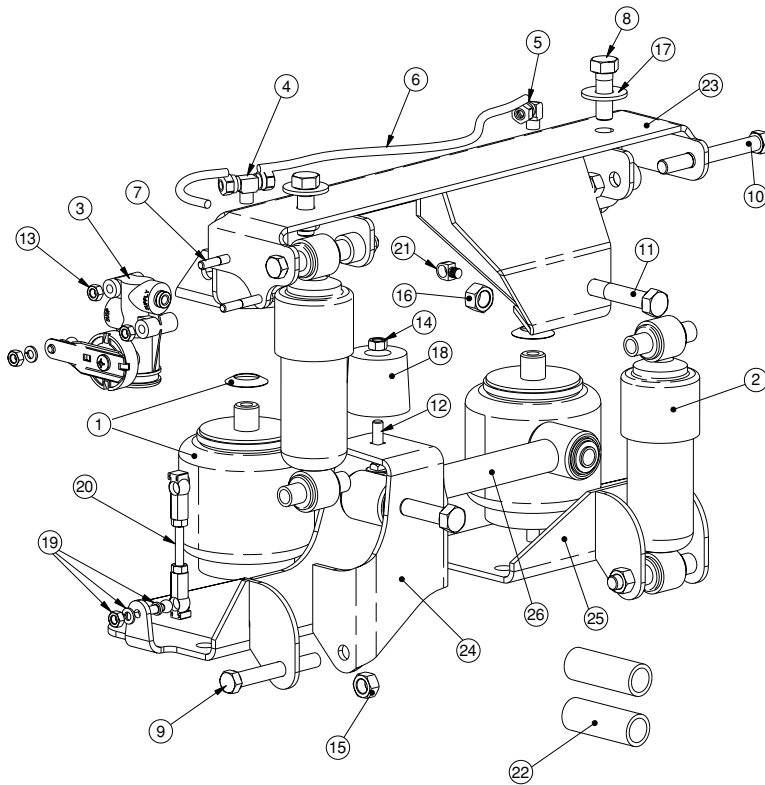


Cabmate

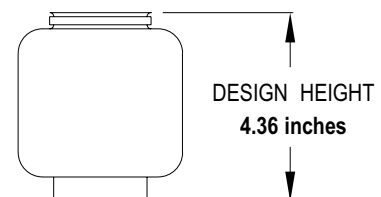


CABMATE MODEL NAV80 2482-A000 AFTERMARKET

FITS: Fits most International S-2500, S-2600, and 8100, 8200 & 8300 Series conventional tractors. It replaces the original rear cab mounts (center mount), International part no. 476979-C1.

Wt: 30 lbs. Wt. Added: 14 lbs.
Installation Time: 3-4 hours

NOTES:



PARTS LIST

| | | | |
|----|-----------|--|------|
| 1 | 1102-A026 | AIR SPRING WITH ATTACHMENTS | 2 |
| 2 | 1201-1043 | SHOCK ABSORBER | 2 |
| 3 | 1350-0104 | ASSEMBLY-HEIGHT CONTROL VALVE | 1 |
| 4 | 1302-4009 | BRANCH TEE, 1/4 TB 1/8 M-NPT, DOT | 1 |
| 5 | 1302-4035 | ELBOW, 1/4 TB 1/8 M-NPT, DOT | 1 |
| 6 | 1302-0090 | .25 AIRLINE | 1.5' |
| 7 | 1401-0814 | 1/4 X 1 3/4 UNC HEX CAP SCREW (GRADE 5) | 2 |
| 8 | 1401-1612 | 1/2 X 1 1/2 UNC HEX CAP SCREW (GRADE 5) | 2 |
| 9 | 1403-1428 | 7/16 X 3 1/2 UNF HEX CAP SCREW (GRADE 5) | 2 |
| 10 | 1403-1432 | 7/16 X 4 UNF HEX CAP SCREW (GRADE 5) | 2 |
| 11 | 1404-1624 | 1/2 X 3 UNF HEX CAP SCREW (GRADE 8) | 2 |
| 12 | 1435-1012 | 5/16 X 1 1/2 UNC RND HD SQ NK BOLT (GRADE 5) | 1 |
| 13 | 1476-0800 | 1/4 UNC HEX CENTER LOCK NUT (GRADE B) | 2 |
| 14 | 1476-1000 | 5/16 UNC HEX CENTER LOCK NUT (GRADE B) | 1 |
| 15 | 1477-1400 | 7/16 UNF HEX CENTER LOCK NUT (GRADE B) | 4 |
| 16 | 1477-1601 | 1/2 UNF HEX TOP LOCK NUT (GRADE C) | 2 |
| 17 | 1487-1600 | 1/2 TYPE A PLAIN WASHER | 2 |
| 18 | 1500-0070 | RUBBER BUMPER | 1 |
| 19 | 2991-0026 | KIT-PIVOT BALL | 2 |
| 20 | 1500-0243 | LINKAGE-VALVE, HEIGHT CONTROL (3.63) | 1 |
| 21 | 1500-0302 | CLIP-LATCHING | 1 |
| 22 | 2481-5000 | STRUT BUSHING | 2 |
| 23 | 2482-1000 | BRACKET-MOUNT, CAB | 1 |
| 24 | 2482-1001 | BRACKET-MOUNT, CROSSMEMBER | 1 |
| 25 | 2482-1002 | BRACKET-MOUNT, CROSSMEMBER | 1 |
| 26 | 2993-2008 | LATERAL CONTROL ROD | 1 |
| NS | 2480-9000 | HOOD SUPPORT KIT | 1 |
| NS | 1350-0000 | PRESSURE PROTECTION KIT | 1 |

ford

freightliner

gmc

international

kenworth

mack
marron

peterbilt

sterling

volvo
western star