

Cabmate

ford

freightliner

gmc

international

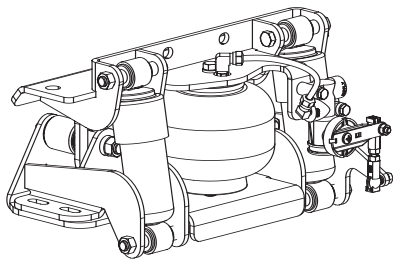
kenworth

mack
marmon

peterbilt

sterling

volvo
western star



CABMATE MODEL
IDC90
2454-D000 AFTERMARKET

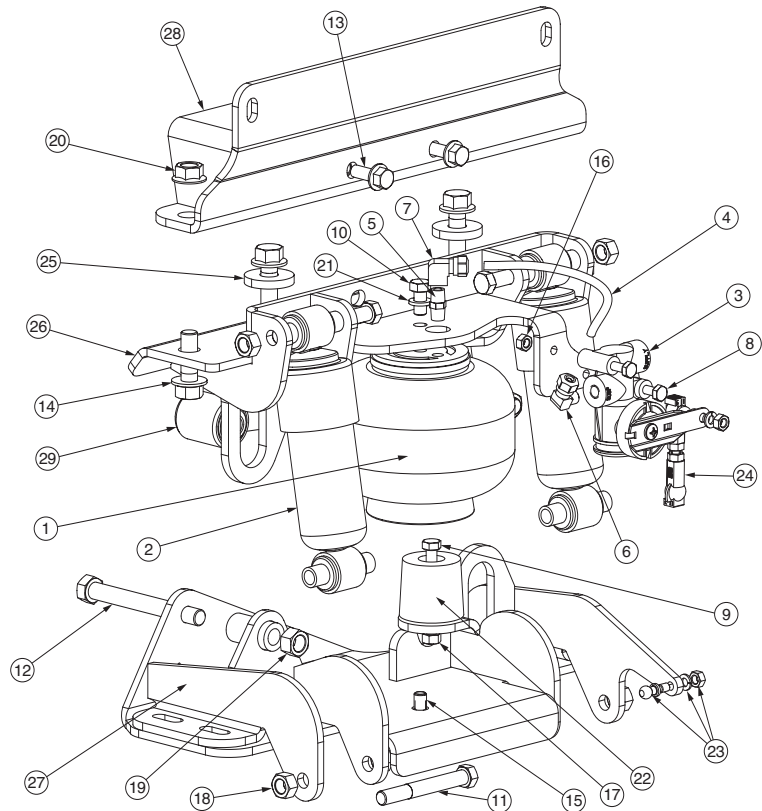
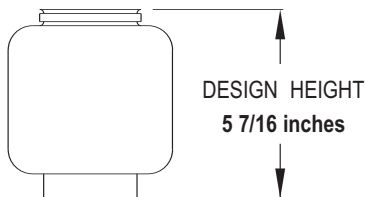
FITS: Most International 9100, 9200 and 9900* Series daycabs **manufactured after March 1997.**

Most 9200 Series daycabs with DDH **manufactured prior to March 1997.**

Most 9400 Series daycabs and 9900SS daycabs **manufactured after December 2001.**

*9900SS and 9400 Series daycabs **manufactured before December 2001** require Link Part No. 2476-B000

NOTES:



PARTS LIST

1	1101-0044	SPRING-AIR	1
2	1201-1049	SHOCK ABSORBER	2
3	1350-0114	ASSEMBLY-HEIGHT CONTROL VALVE	1
4	1302-0090	.25 AIRLINE	0.5'
5	1302-2064	HEX NIPPLE, 1/8 M-NPT	1
6	1302-4035	ELBOW, 1/4 TB 1/8 M-NPT, DOT	1
7	1302-4049	ELBOW, 1/4 TB 1/8 F-NPT, DOT	1
8	1401-0814	1/4 X 1 3/4 UNC HEX CAP SCR (GRADE 5)	2
9	1401-1012	5/16 X 1 1/2 UNC HEX CAP SCR (GRADE 5)	1
10	1401-1206	3/8 X 3/4 UNC HEX CAP SCR (GRADE 5)	1
11	1403-1428	7/16 X 3 1/2 UNF HEX CAP (GRADE 5)	4
12	1404-1636	1/2 X 4 1/2 UNF HEX CAP SCR (GRADE 8)	2
13	1411-1208	3/8 X 1 UNC FLANGE BOLT (GRADE 8)	2
14	1411-1612	1/2 X 1 1/2 UNC FLANGE BOLT (GRADE 8)	4
15	1417-1207	3/8 X 7/8 UNC SOC FLAT CSK HD CAB SCR	1
16	1476-0800	1/4 UNC HEX CTR LOCK NUT (GRADE B)	2
17	1476-1000	5/16 UNC HEX CTR LOCK NUT (GRADE B)	1
18	1477-1405	7/16 UNF HEX TOP LOCK NUT (GRADE B)	4
19	1477-1601	1/2 UNF HEX TOP LOCK NUT (GRADE C)	2
20	1480-1601	1/2 UNC TOP LOCK FL NUT (GRADE F)	2
21	1485-1200	3/8 LOCK WASHER	1
22	1500-0070	BUMPER-JOUNCE, 1.75	1
23	2991-0026	KIT-PIVOT BALL	2
24	1500-0234	LINKAGE-VALVE, HEIGHT CONTROL (2.50)	1
25	2454-0019	WASHER-MOUNT	2
26	2454-1003	BRACKET-MOUNT, CAB	1
27	2454-1004	BRACKET-MOUNT, CROSSMEMBER	1
28	2454-1005	SPACER-CAB	1
29	2993-2012	LATERAL CONTROL ROD	1
NS	1350-0000	PRESSURE PROTECTION KIT	1