

Cabmate

ford

freightliner

gmc

international

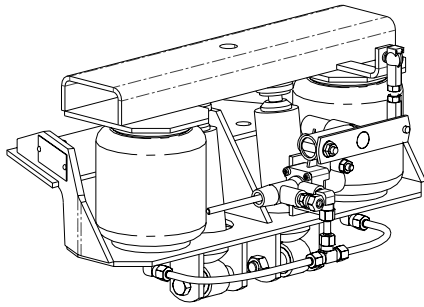
kenworth

mack
marmon

peterbilt

sterling

volvo
western star

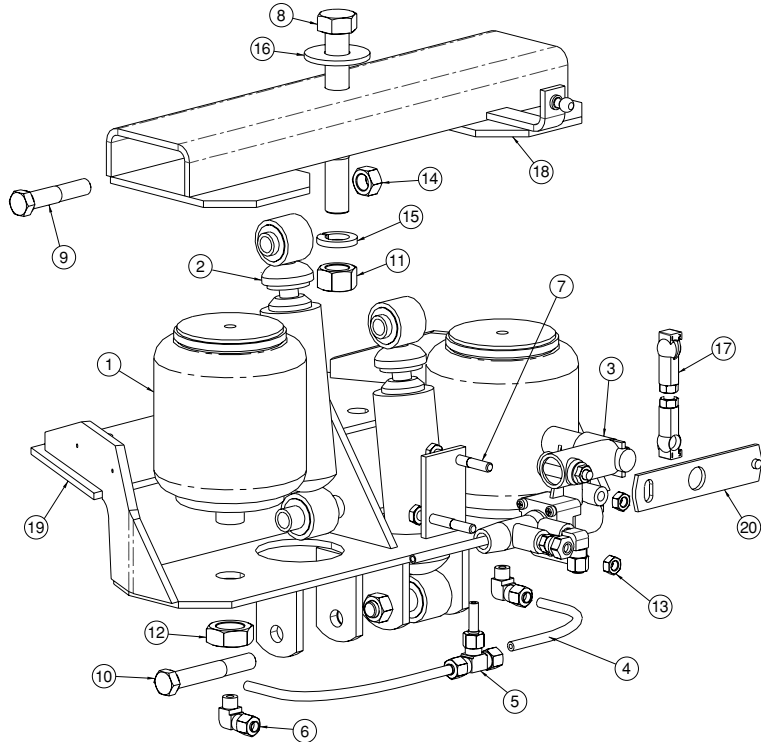
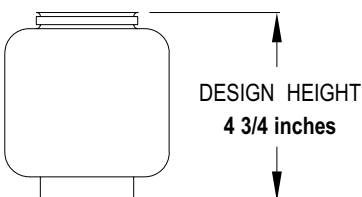


CABMATE MODEL
GMC816
2365-0000 AFTERMARKET

FITS: Fits most 1979 and newer GMC General & Chevrolet Bison conventional trucks with 108" or 116" cabs. It replaces the stock rear cab mount, GMC part nos. 718544, 2058799, or 15502957.

Wt: 24 lbs. Wt. Added: 20 lbs.
Installation Time: 3-4 hours

NOTES:



PARTS LIST

1	1102-0023	SPRING-AIR	2
2	1202-0012	SHOCK ABSORBER	2
3	1301-0025	VALVE-CONTROL, HEIGHT	1
4	1302-0090	0.250 AIRLINE	1.1'
5	1302-1083	UNION TEE, 1/4 TB	1
6	1302-1105	ELBOW, 1/4 TB 1/8 M-NPT	2
7	1401-0816	1/4 X 2 UNC HEX CAP SCREW (GRADE 5)	2
8	1401-2040	5/8 X 5 UNC HEX CAP SCREW (GRADE 5)	1
9	1403-1418	7/16 X 2 1/4 UNF HEX CAP SCREW (GRADE 5)	2
10	1403-1424	7/16 X 3 UNF HEX CAP SCREW (GRADE 5)	2
11	1470-2000	5/8 UNC HEX NUT (GRADE B)	1
12	1475-2400	3/4 UNF JAM NUT	2
13	1476-0800	1/4 UNC HEX CENTER LOCK NUT (GRADE B)	2
14	1477-1400	7/16 UNF HEX CENTER LOCK NUT (GRADE B)	4
15	1485-2000	5/8 LOCK WASHER	1
16	1487-2000	5/8 TYPE A PLAIN WASHER	1
17	1500-0235	LINKAGE-VALVE, HEIGHT CONTROL (2.63)	1
18	2365-1000	UNIT TOP	1
19	2365-2000	UNIT BOTTOM	1
20	2990-0700	ASSEMBLY-ARM, VALVE	1
NS	1350-0000	KIT-PROTECTION, PRESSURE	1