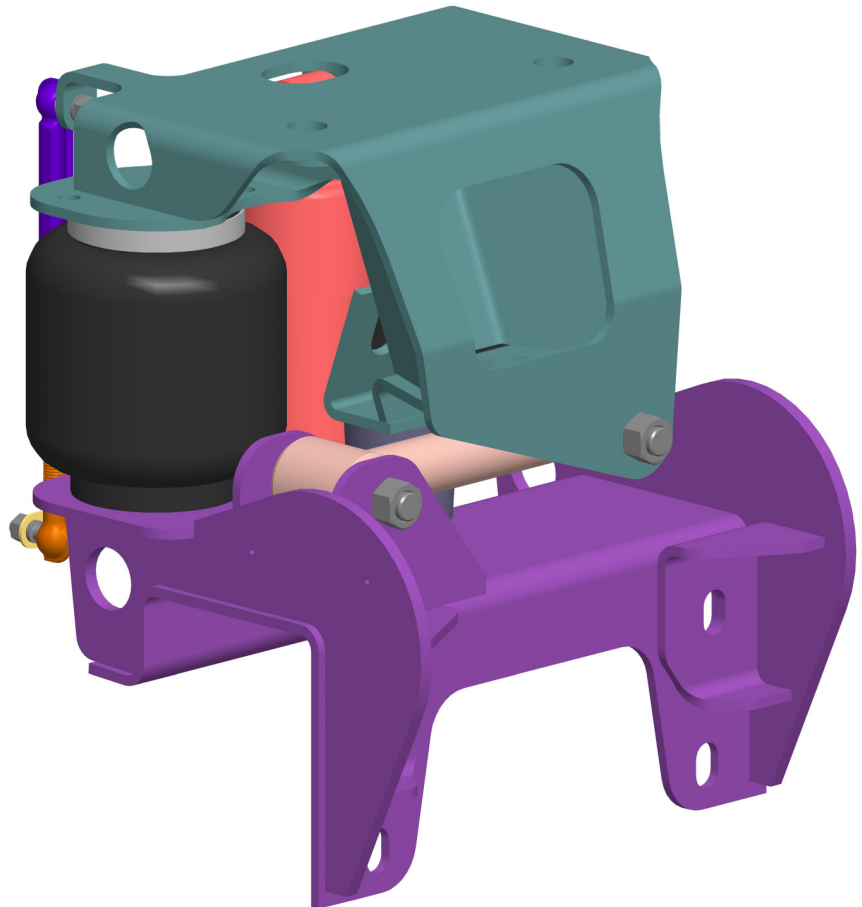


INSTALLATION INSTRUCTIONS



KWB689-C (2533A000)



Link mfg. Ltd.
223 15th St. N.E.
Sioux Center, IA USA
51250-2120

(712) 722-4874
Fax (712) 722-4876

**QUESTIONS?
CALL CUSTOMER
SERVICE
1-800-222-6283**

The **CABMATE MODEL KWB689-C** fits most Kenworth:

- **T-400A, T450, T-800A** Conventionals manufactured **after June 1992** with rear cab support Kenworth Part No. **K235-1646**.
- **T-600A, T-800A, and W-900b**, Conventionals with rear cab support Kenworth Part No. **K235-1436** or **K235-1488**. (it may fit 1983 through 1985 models with crossmember substitution.)

UNIT WEIGHT: 29.4 LB.

NET WEIGHT ADDED: 22.4LB.

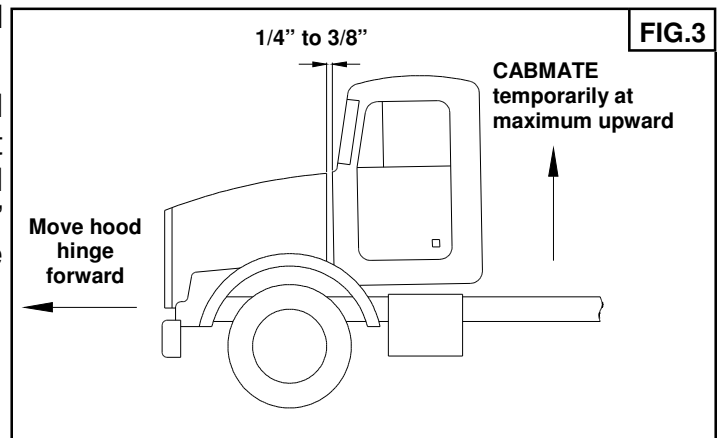
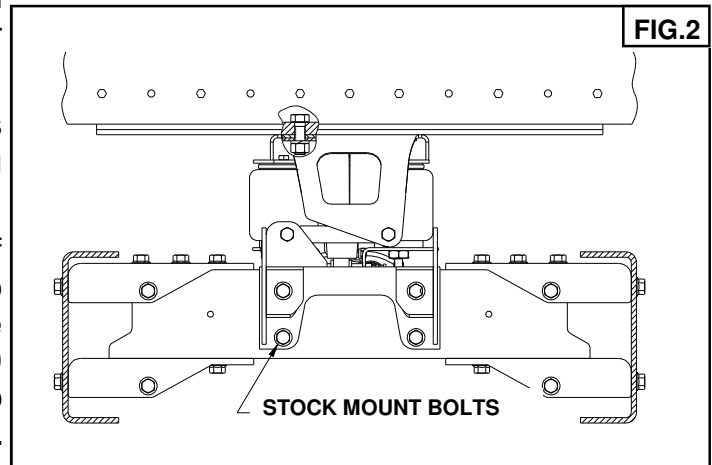
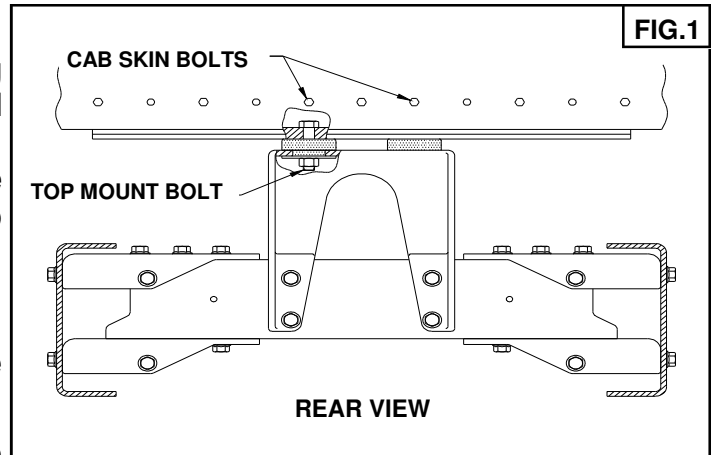
CABMATE MODEL KWB689-C

Review the Parts List on page 3 to become familiar with the different components of the CABMATE.

IMPORTANT: Due to many chassis variables caused by installation of special equipment of options, the fit of the KWB689-C CABMATE may be affected and should be evaluated before beginning installation.

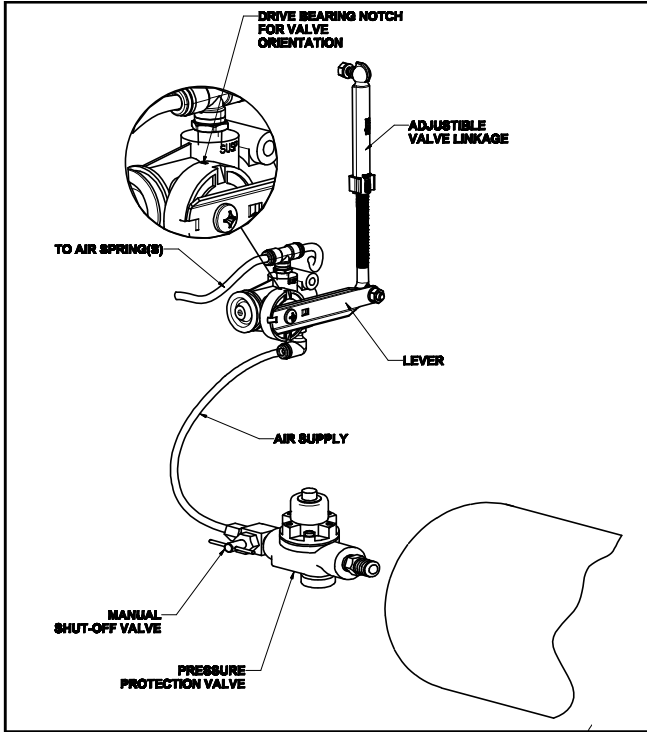
IMPORTANT: Installation of the CABMATE system will allow the cab to move freely. Before starting installation, check clearances between the cab and any objects the cab may contact when it moves (1 1/2 inches of clearance should be sufficient). The clearance of components that are affected by cab movement, such as exhaust and radiator systems, must also be evaluated.

- A. Remove the two cab skin bolts shown in figure 1, (for removal of mount bolts).
- B. Remove the two mount bolts from the top of the stock mount. Securely prop up the cab and remove all stock mount parts saving the four bottom mount bolts for later use (Fig.1).
- C. Loosely fasten the Unit Bottom to the cross member using the four bottom mount bolts (Fig 2).
- D. Slowly lower the cab unit it touches the top of the CABMATE. Fasten the Unit Top to the cab frame using the 5/8 mounting hardware supplied by Link Mfg., (item no's 9, 13 and 19 from the parts list on page 3). Reinstall cab skin bolts. **SECURELY TIGHTEN ALL FASTENERS.** Lower the cab completely.
- E. See page 2 for plumbing instructions and height adjustments.
- F. **IMPORTANT:** After plumbing and height control adjustments are completed, temporarily adjust the CABMATE to its maximum upward position. There must be a minimum of 1/4" gap between the cab and the hood. Adjust the hood hinge forward as necessary (Fig. 3).



PLUMBING INSTRUCTIONS

WARNING: FOR SAFTY PURPOSES THE CABMATE MUST BE SUPPLIED FROM A PRESSURE PROTECTED CIRCUIT. IN THE EVENT OF AN AIR LEAK IN THE CAB SUSPENSION, FAILURE TO PROVIDE A PRESSURE PROTECTED CIRCUIT MAY CAUSE LOSS OF AIR PRESSURE TO VITAL SYSTEMS ON THE VEHICLE.



WARNING: LOSS OR APPLICATION OF AIR PRESSURE TO CABMATE WILL CAUSE SUDDEN MOVEMENT OF THE CAB. PRIOR TO INSTALLING OR PERFORMING MAINTENANCE, BLOCK UP THE CABMATE TO PREVENT THE POSSIBILITY OF INJURY.

WARNING: CONNECT THE CABMATE DIRECTLY TO THE MAIN AIR TANK. YOU WILL NEED AN AIR PRESSURE PROTECTION VALVE IN THE LINE. (INCLUDED IN THE PRESSUREPROTECTION KIT. LINK MFG. PART NO. 1350-0000). DO NOT USE AN AIR PRESSURE REGULATOR!

A. With the tank at 0 p.s.i., remove the existing plug or fitting from the desired port.

B. Apply joint compound to the fittings and install the pressure protection kit. **DO NOT USE TEFLON TAPE.** Be sure that the arrows on the valve are pointing in the direction of air flow and the vent hole is pointed down. **NOTE:** Additional fittings/reducers may be required to attach the hex nipple to the main air tank.

C. Run the 1/4" airline from the shut-off valve to the CABMATE. Be sure that the airline has enough clearance so that there are no pinch points that may restrict or cut the airline. Secure the airline using the cable ties supplied by Link Mfg.

D. Tighten all plumbing fittings. Then, with the system at operating pressure (90 to 110 p.s.i.), open the Manual Shut-off Valve to supply air to the CABMATE. Check the system for air leaks.

E. Check for proper operation of the height control valve. Disconnect the valve linkage from the lever. Push the lever down 45°, air should flow into the air spring(s). Return the lever to the neutral position. Push the lever up

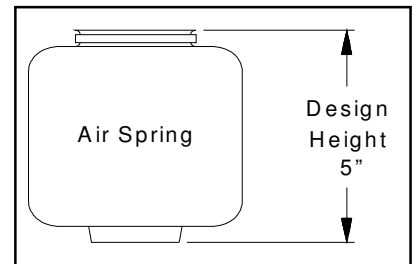
45°, air should exhaust from the air spring(s). Return the lever to the neutral position; no air should flow. Reconnect the valve linkage to the lever.

HEIGHT ADJUSTMENTS

Measure the design height of the air spring(s). The height should be 5 inches ± 1/16. To change the height, disconnect one end of the valve linkage and adjust accordingly.

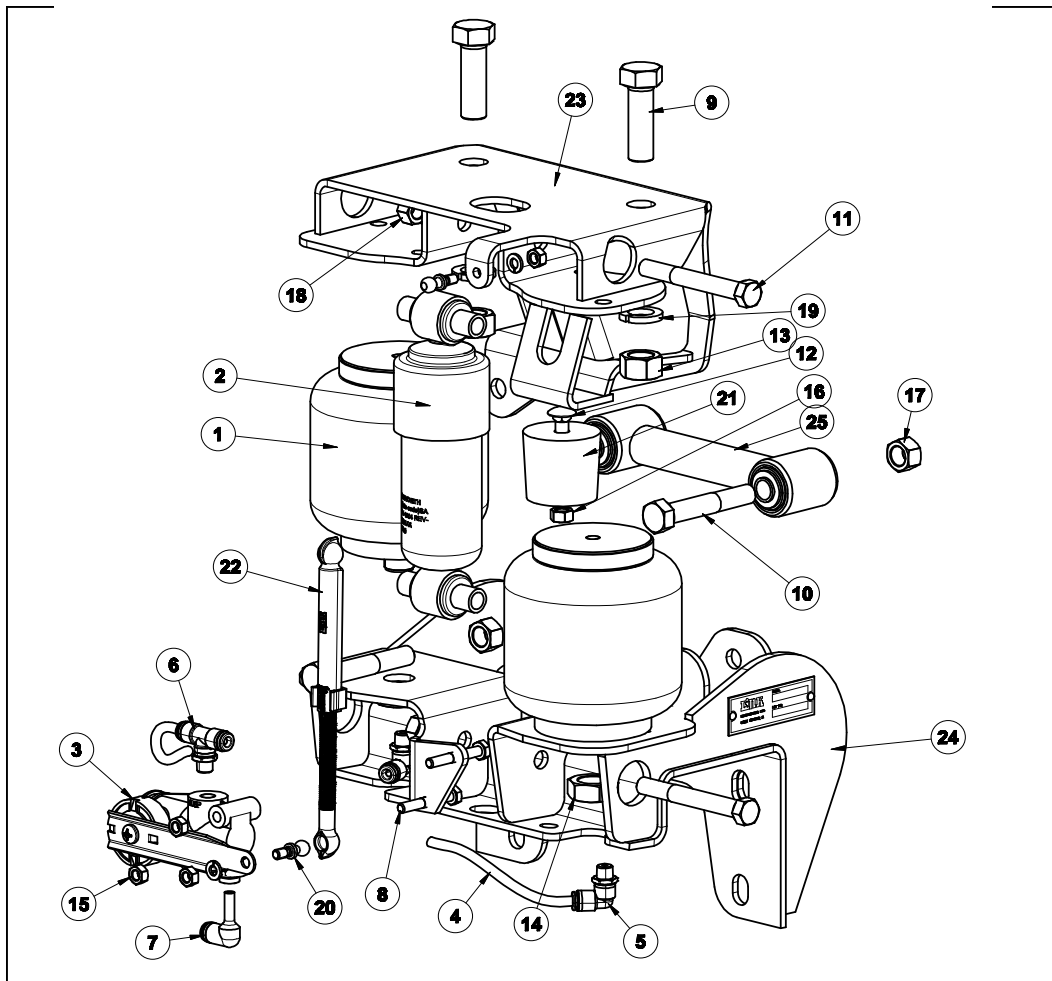
MAINTENANCE

CABMATES need no lubrication and little maintenance. The following components should be checked at the time the truck is being serviced. However, immediate corrective action should be taken if a serious malfunction occurs.



COMPONENT	POSSIBLE PROBLEM	CORRECTIVE ACTION	TORQUE
Airlines	Air leaks	Replace airline	Compression Nut Hand Tight + 1 Turn
Fittings	Air leaks	Remove fitting and apply fresh joint compound. Reinstall fitting, but Do Not Overtighten. Do not use teflon tape.	Threaded into: Metal Plastic 15 Hand Tight Ft. Lbs. + 1 Turn
Air Springs	A. Improper height B. Air leakage	A. Adjust valve linkage to maintain proper air spring height. B. Replace air spring.	Size Metal Plastic 3/8 25 Ft. Lbs 04 Ft. Lbs 1/2 28 Ft. Lbs 10 Ft. Lbs 3/4 30 Ft. Lbs 10 Ft. Lbs
Height Control Valve	Air spring(s) will not inflate when wheight is added to the cab; OR Air spring(s) will not deflate when wheight is removed from the cab.	A. Inspect valve to insure drive bearing notch is located on "SUSP" port side of valve. If not, loosen lever screw (but do not remove completely) and pull lever loose from drive bearing, rotate drive bearing until the bearing notch is in the correct position and resecure lever by tightening lever screw. B. Replace Valve	1/4 Mount Fasteners 10 Ft. Lbs. Bearing Screw 40-50 InLbs.
Shock Absorber	Insufficient dampening effect	Replace shocks	45 Ft. Lbs.
Lateral Control Rod	A. Loose nuts on lateral control rod bolts B. Worn bushings.	A. Tighten securely to clamp the inner sleeve. B. Replace lateral control rod.	40 Ft. Lbs.

IMPORTANT: Periodically check the tightness of all fasteners.



CABMATE® MODEL KWB689-C PARTS LIST

ITEM	PART NO.	PART DESCRIPTION	QTY	ITEM	PART NO.	PART DESCRIPTION	QTY
1	1102K023	SPRING-AIR	2	15	1476-0800	1/4 UNC HEX CTR LOCK NUT (GR B)	2
2	1202-1046	SHOCK ABSORBER	1	16	1476-1000	5/16 UNC HEX CTR LOCK NUT (GR B)	1
3	1350-0111	ASSEMBLY-HEIGHT CONTROL VALVE	1	17	1477-1601	1/2 UNF HEX TOP LOCK NUT (GR C)	2
4	1302-0090	AIRLINE-NYLON, .250 O.D., BULK	.80 FT	18	14771401	7/16 UNF HEX TOP LOCK NUT (GR C)	2
5	1302-5203	ELBOW, 1/4 TB 1/8 M-NPT	2	19	1485-2000	5/8 LOCK WASHER	2
6	1302-5206	BRANCH TEE, 1/4 TB 1/8 M-NPT	1	20	2991-0026	KIT-PIVOT BALL	2
7	1302-5499	ELBOW, 1/4 TB 1/4 PTC, PUSH-IN DOT	1	21	1500-0070	BUMPER-JOUNCE, 1.75	1
8	1401-0814	1/4 X 1 3/4 UNC RND HD SQ NK BOLT (GR 5)	2	22	29910051	LINKAGE-VALVE	1
9	14012016	5/8 x 2 UNC HEX CAP SCR (GR5)	2	23	2533-1003	BRACKET-MOUNT, CAB	1
10	1404-1624	1/2 X 3 UNF HEX CAP SCR (GR 8)	2	24	2533-1004	BRACKET-MOUNT, CROSSMEMBER	1
11	14041428	7/16 X 3 1/2 UNF HEX CAP SCR (GR 8)	2	25	2993-2019	LATERAL CONTROL ROD	1
12	1435-1012	5/16 X 1 1/2 UNC RND HD SQ NK BOLT (GR 5)	1	NS	1350-0000	KIT-PROTECTION, PRESSURE	1
13	1470-2000	5/8 UNC HEX NUT (GR B)	2	NS	35331003	KIT-DOCUMENT, KWB689-D (AFTM)	1
14	1475-2400	3/4 UNF HEX JAM NUT	2				