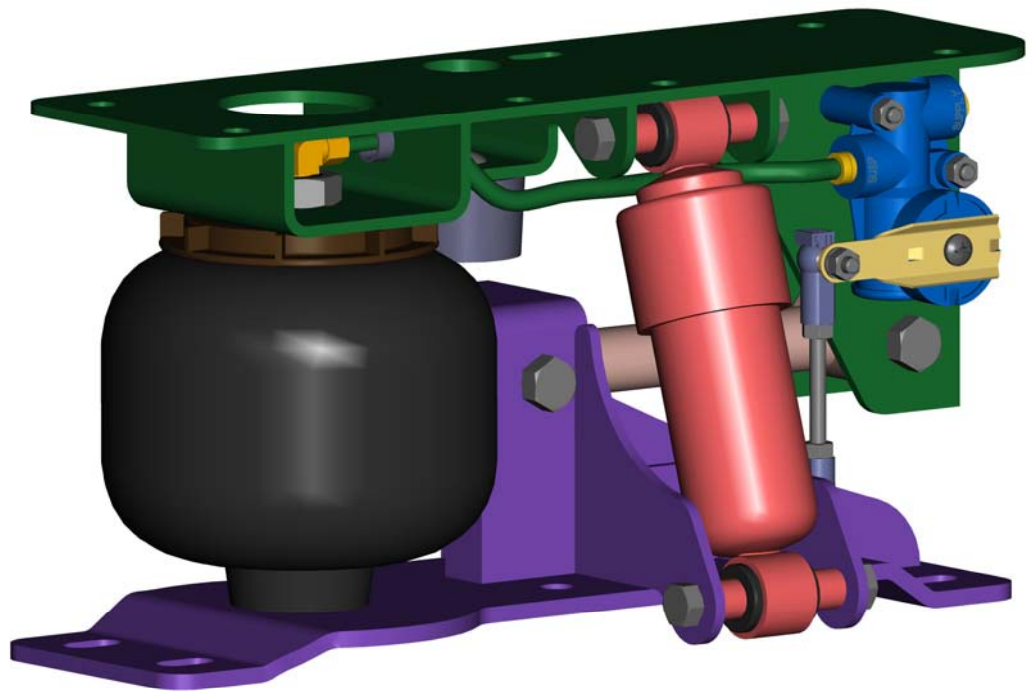


INSTALLATION INSTRUCTIONS



FRT112DC (2226-A000)



The **CABMATE MODEL FRT112DC** fits most 1997 AND NEWER FL112 Business Class Day Cab Series Conventional Tractors. It replaces the original rear cab supports; Freightliner Part Nos. 680 891 04 01, 18-3978-000 & A18-31977-000.

Link mfg. Ltd.
223 15th St. N.E.
Sioux Center, IA USA
51250-2120

(712) 722-4874
Fax (712) 722-4876

**QUESTIONS?
CALL CUSTOMER
SERVICE
1-800-222-6283**

UNIT WEIGHT : 25.0 LB.

NET WEIGHT ADDED: 5.2 LB.

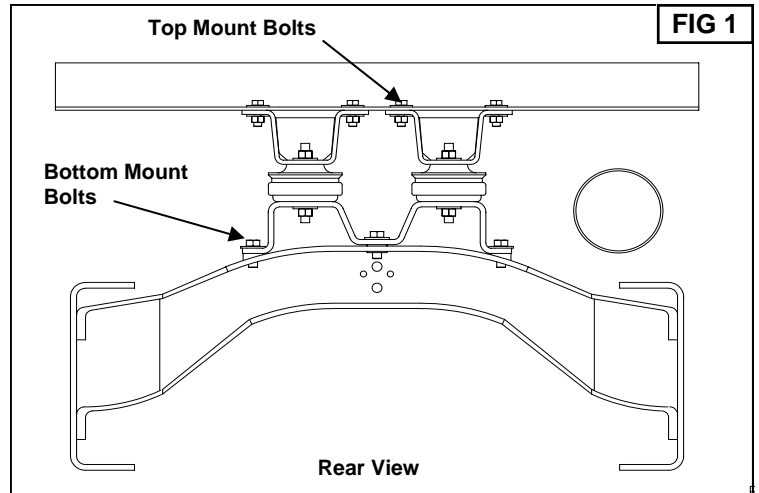
CABMATE MODEL FRT112DC

Review the Parts List on page 3 to become familiar with the different components of the CABMATE.

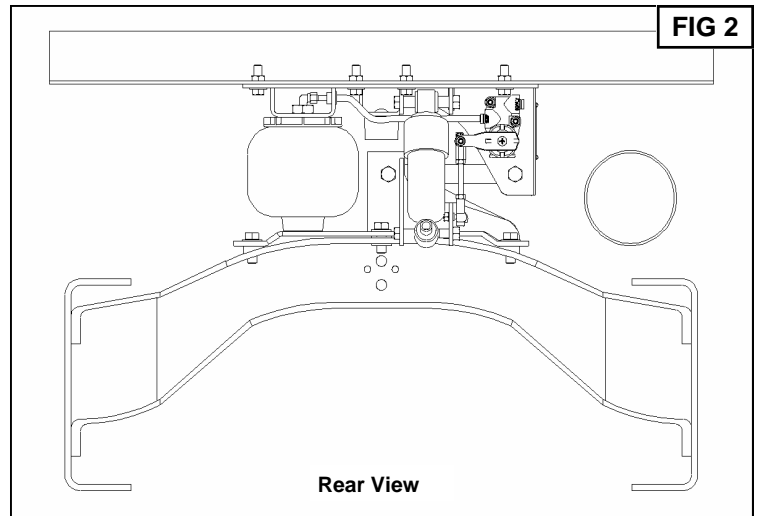
IMPORTANT: Due to many chassis variables caused by installation of special equipment or options, the fit of the FRT112DC CABMATE may be affected and should be evaluated before beginning installation.

IMPORTANT: Installation of the CABMATE system will allow the cab to move freely. Before starting installation, check clearances between the cab and any objects the cab may contact when it moves (1 1/2 inches of clearance should be sufficient). The clearance of components that are affected by cab movement, such as exhaust and radiator systems, must also be evaluated.

A. Remove the eight mount bolts from the upper cab mount brackets as shown in (Fig. 1). Securely prop up the cab and remove the upper cab mount brackets. Remove the six mount bolts and the lower cab mount.



B. Loosely fasten the Unit Bottom to the crossmember using the 1/2 X 1 1/4 Grade 8 Bolts supplied by Link Mfg. (Nos. 9 and 21 from the Parts List) (Fig. 2).



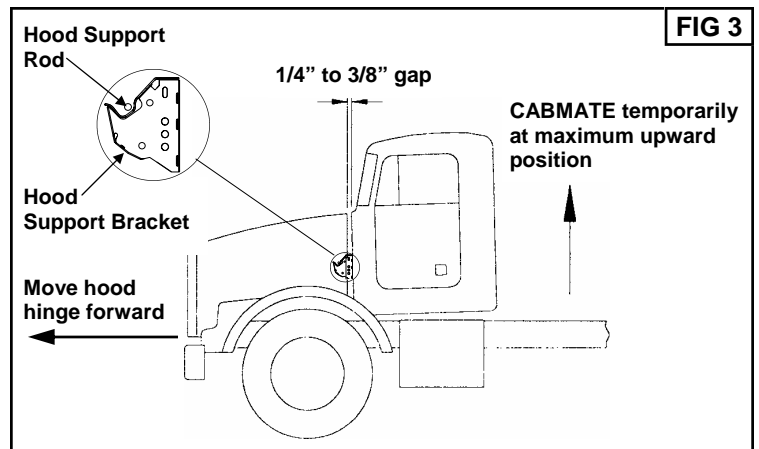
C. Slowly lower the cab until it touches the top of the CABMATE. Fasten the Unit Top to the cab frame using the mounting hardware supplied by Link Mfg. (Nos. 8,17,20). **SECURELY TIGHTEN ALL FASTENERS.** Lower the cab completely.

D. See page 2 for plumbing instructions and height adjustments.

E. Raise the hood and remove the original hood brackets. Install the hood brackets supplied by Link Mfg. (Nos. 28 and 29 from the Parts List). Reaffix any components that were attached to the original hood brackets.

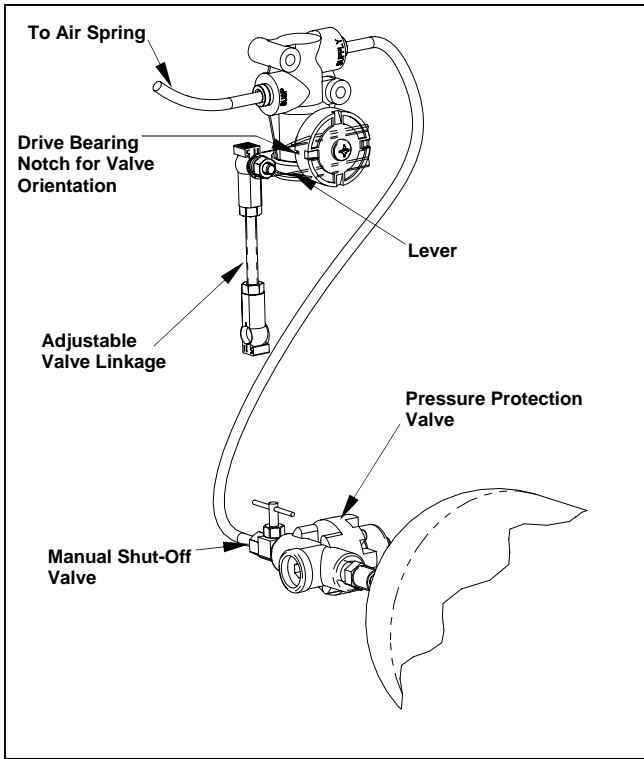
F. **IMPORTANT:** After plumbing and height control adjustments are completed, hood hinge must be adjusted to satisfy the following:

1. Temporarily adjust the CABMATE to its maximum upward position. There must be a 1/4" to 3/8" gap between the cab and the hood.
2. With the CABMATE at design height, the hood support rod should be in the upper 1/3 of the hood support bracket slot (Fig.3). **NOTE:** Upper hood support bracket may also be adjusted to meet this requirement.



PLUMBING INSTRUCTIONS

WARNING: FOR SAFETY PURPOSES THE CABMATE MUST BE SUPPLIED FROM A PRESSURE PROTECTED CIRCUIT. IN THE EVENT OF AN AIR LEAK IN THE CAB SUSPENSION, FAILURE TO PROVIDE A PRESSURE PROTECTED CIRCUIT MAY CAUSE LOSS OF AIR PRESSURE TO VITAL SYSTEMS ON THE VEHICLE.



WARNING: LOSS OR APPLICATION OF AIR PRESSURE TO CABMATE WILL CAUSE SUDDEN MOVEMENT OF THE CAB. PRIOR TO INSTALLING OR PERFORMING MAINTENANCE, BLOCK UP THE CABMATE TO PREVENT THE POSSIBILITY OF INJURY.

WARNING: CONNECT THE CABMATE DIRECTLY TO THE MAIN AIR TANK. YOU WILL NEED AN AIR PRESSURE PROTECTION VALVE IN THE LINE. (INCLUDED IN THE PRESSUREPROTECTION KIT. LINK MFG. PART NO. 1350-0000). DO NOT USE AN AIR PRESSURE REGULATOR!

A. With the tank at 0 p.s.i., remove the existing plug or fitting from the desired port.

B. Apply joint compound to the fittings and install the pressure protection kit. **DO NOT USE TEFLON TAPE.** Be sure that the arrows on the valve are pointing in the direction of air flow and the vent hole is pointed down. **NOTE:** Additional fittings/reducers may be required to attach the hex nipple to the main air tank.

C. Run the 1/4" airline from the shut-off valve to the CABMATE. Be sure that the airline has enough clearance so that there are no pinch points that may restrict or cut the airline. Secure the airline using the cable ties supplied by Link Mfg.

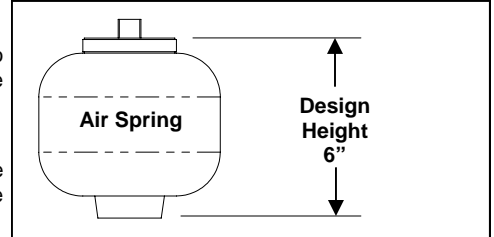
D. Tighten all plumbing fittings. Then, with the system at operating pressure (90 to 110 p.s.i.), open the Manual Shut-off Valve to supply air to the CABMATE. Check the system for air leaks.

E. Check for proper operation of the height control valve. Disconnect the valve linkage from the lever. Push the lever down 45°, air should flow into the air spring(s). Return the lever to the neutral position. Push the lever up 45°,

air should exhaust from the air spring(s). Return the lever to the neutral position; no air should flow. Reconnect the valve linkage to the lever.

HEIGHT ADJUSTMENTS

Measure the design height of the air spring(s). The height should be 6.00 inches \pm 1/16. To change the height, disconnect one end of the valve linkage and adjust accordingly. Tighten the lock nuts on the valve linkage.

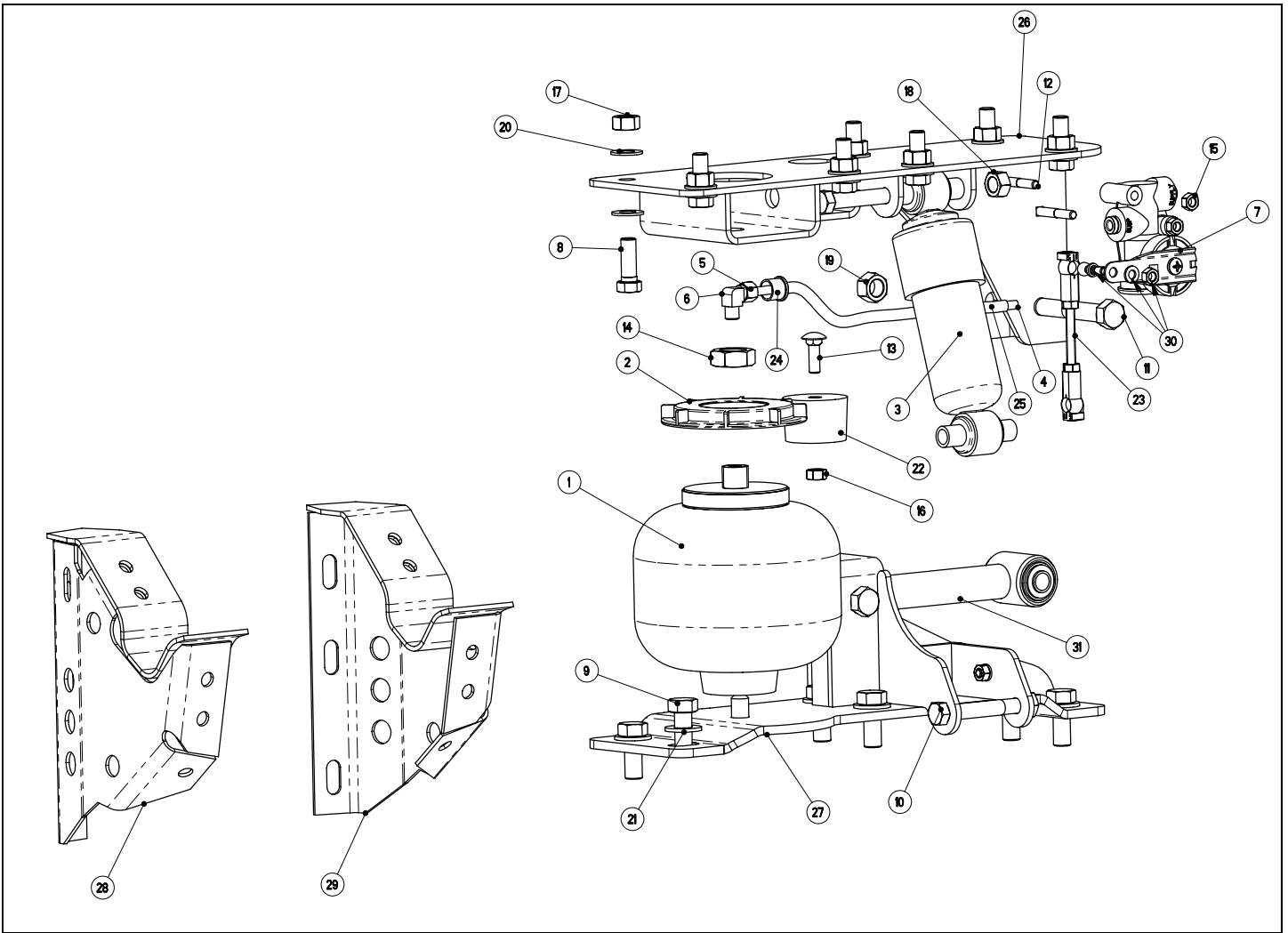


MAINTENANCE

CABMATES need no lubrication and little maintenance. The following components should be checked at the time the truck is being serviced. However, immediate corrective action should be taken if a serious malfunction occurs.

COMPONENT	POSSIBLE PROBLEM	CORRECTIVE ACTION	TORQUE
Airlines	Air leaks	Replace airline	Compression Nut Hand Tight + 1 Turn
Fittings	Air leaks	Remove fitting and apply fresh joint compound. Reinstall fitting, but Do Not Overtighten. Do not use teflon tape.	Threaded into: Metal Plastic 15 Hand Tight Ft. Lbs. + 1 Turn
Air Springs	A. Improper height B. Air leakage	A. Adjust valve linkage to maintain proper air spring height. B. Replace air spring.	Size Metal Plastic 3/8 25 Ft. Lbs 04 Ft. Lbs 1/2 28 Ft. Lbs 10 Ft. Lbs 3/4 30 Ft. Lbs 10 Ft. Lbs
Height Control Valve	Air spring(s) will not inflate when weight is added to the cab; OR Air spring(s) will not deflate when weight is removed from the cab.	A. Inspect valve to insure drive bearing notch is located on "SUSP" port side of valve. If not, loosen lever screw (but do not remove completely) and pull lever loose from drive bearing, rotate drive bearing until the bearing notch is in the correct position and resecure lever by tightening lever screw. B. Replace Valve	1/4 Mount Fasteners 10 Ft. Lbs. Bearing Screw 40-50 InLbs.
Shock Absorber	Insufficient dampening effect	Replace shocks	45 Ft. Lbs.
Lateral Control Rod	A. Loose nuts on lateral control rod bolts B. Worn bushings.	A. Tighten securely to clamp the inner sleeve. B. Replace lateral control rod.	40 Ft. Lbs.

IMPORTANT: Periodically check the tightness of all fasteners.



CABMATE[®] MODEL FRT112DC PARTS LIST

ITEM	PART NO.	DESCRIPTION	QTY	ITEM	PART NO.	DESCRIPTION	QTY
1	1102-0081	SPRING-AIR	1	17	1476-1401	7/16 UNC HEX TOP LOCK NUT (GR C)	7
2	1109-8001	ACCESSORY PISTON-UPPER	1	18	1477-1400	7/16 UNF HEX CTR LOCK NUT (GR B)	2
3	1201-1044	SHOCK ABSORBER	1	19	1477-1601	1/2 UNF HEX TOP LOCK NUT (GR C)	2
4	1302-0090	AIRLINE-NYLON, .250 O.D., BULK	0.8 ft	20	1488-1401	7/16 SAE PLAIN WASHER, SS	14
5	1302-1038	.25 TUBE SUPPORT	1	21	1488-1601	1/2 SAE PLAIN WASHER, SS	6
6	1302-1105	ELBOW, 1/4 TB 1/8 M-NPT	1	22	1500-0071	RUBBER BUMPER	1
-	1350-0000	KIT-PROTECTION, PRESSURE	1	23	1500-0246	LINKAGE-VALVE, HEIGHT CONTROL (4.00)	1
7	1350-0104	ASSEMBLY-HEIGHT CONTROL VALVE	1	24	1500-0303	SNAP BUSHING (.250 MAT'L)	1
8	1402-1410	7/16 X 1 1/4 UNC HEX CAP SCR (GR 8)	7	25	1509-1060	CORRUGATED LOOM (7.50)	1
9	1402-1610	1/2 X 1 1/4 UNC HEX CAP SCR (GR 8)	6	26	2226-1001	BRACKET-MOUNT, CAB	1
10	1403-1426	7/16 X 3 1/4 UNF HEX CAP SCR (GR 5)	2	27	2226-1002	BRACKET-MOUNT, CROSSMEMBER	1
11	1404-1624	1/2 X 3 UNF HEX CAP SCR (GR 8)	2	28	2265-4000	HOOD BRACKET-DRIVER	1
12	1435-0814	1/4 X 1 3/4 UNC RND HD SQ NK BOLT (GRADE 5)	2	29	2265-5000	HOOD BRACKET-PASS	1
13	1435-1008	5/16 X 1 UNC RND HD SQ NK BOLT (GRADE 5)	1	30	2991-0026	KIT-PIVOT BALL	2
14	1475-2400	3/4 UNF HEX JAM NUT	1	31	2993-2022	LATERAL CONTROL ROD	1
15	1476-0800	1/4 UNC HEX CTR LOCK NUT (GR B)	2	-	3226-1000	KIT-DOCUMENT, FRT112DC (AFTM)	1
16	1476-1000	5/16 UNC HEX CTR LOCK NUT (GR B)	1				