

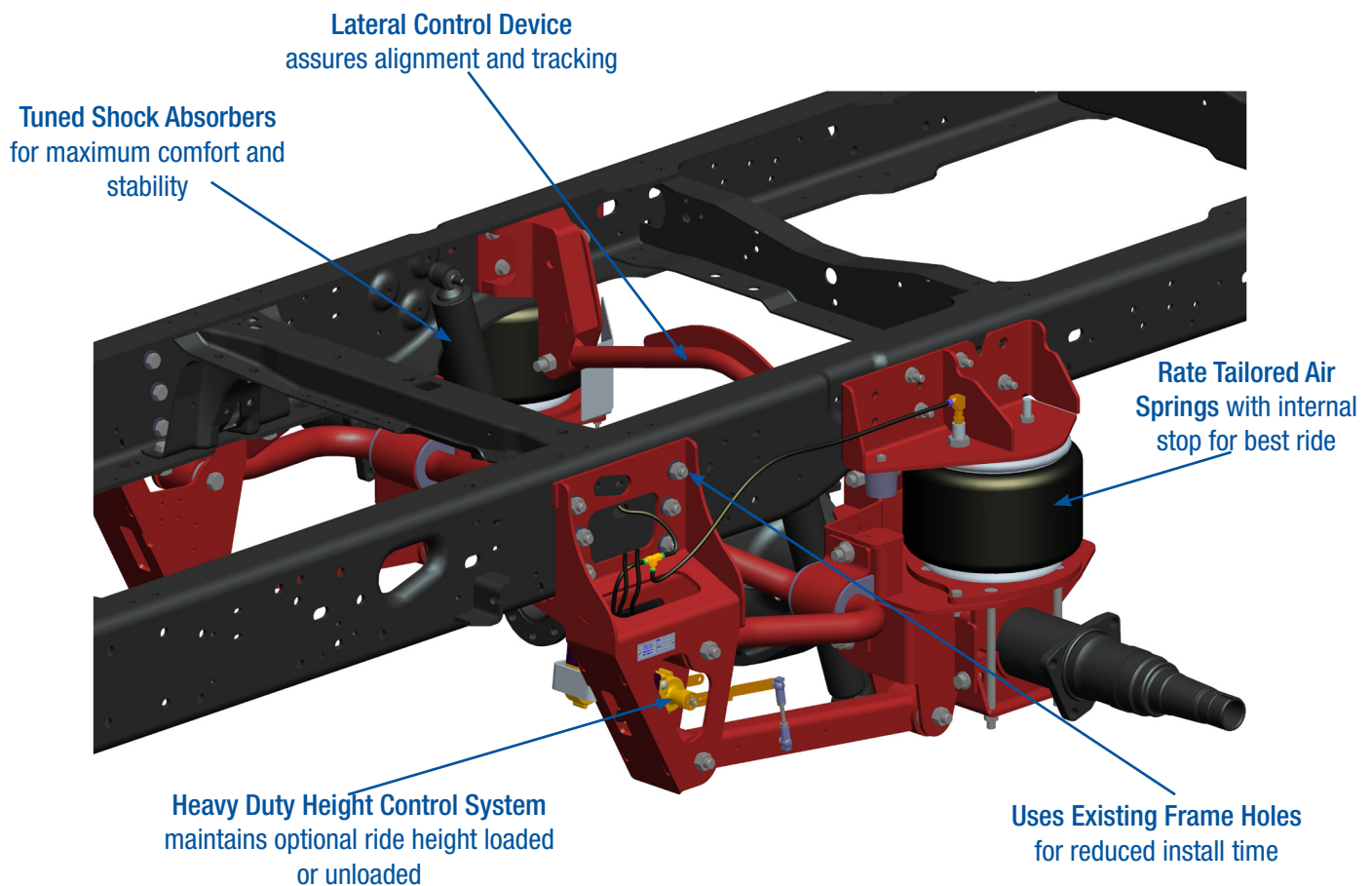
LINK[®] UltraRide[®]

Chassis Air Suspension



FORD F350

Super Duty 4x4 Chassis Cabs with Ambulance Package



Custom Options to meet your needs.

- UltraRide[®] Under Dash Mount Control Panel
- Commercial Duty Air Kit—for vehicles that require frequent air spring dumping
- 2nd Height Control Valve—for vehicles with significant side-to-side weight imbalance
- Inside Mount Air Kit Frame Bracket—for vehicles with body or equipment already mounted on outside of frame rail
- Automatic Air Tank Drain Valve—for vehicle owners who want to minimize manual air tank draining
- Heated, Automatic Air Tank Drain Valve—for vehicles that will be operated in freezing conditions (below 32° F)

Ultra Support for UltraRide Dealers

- No Minimum Inventory Requirements
- Standard Warranty
- Up-to-Date Installation, Owner's Manual and Parts Drawings Available Online 24 Hours a Day
- Free Shipping on Orders of 10+ Units
- Competitive Pricing
- Factory Customer Service Support



Suspension Specifications:

Model: Ford F350 Chassis Cab Amb. Prep Package

Year: 2005 - 2007

Ride Height (top frame to axle center @ axle): 17.06"

Air Spring Design Height: 7.40"

Axle Travel: 2.50" Jounce (B/C)
3.00" Jounce (M/M)
2.70" Rebound (M/M)

Link Part Number: 8M000068

Style: Parallelogram

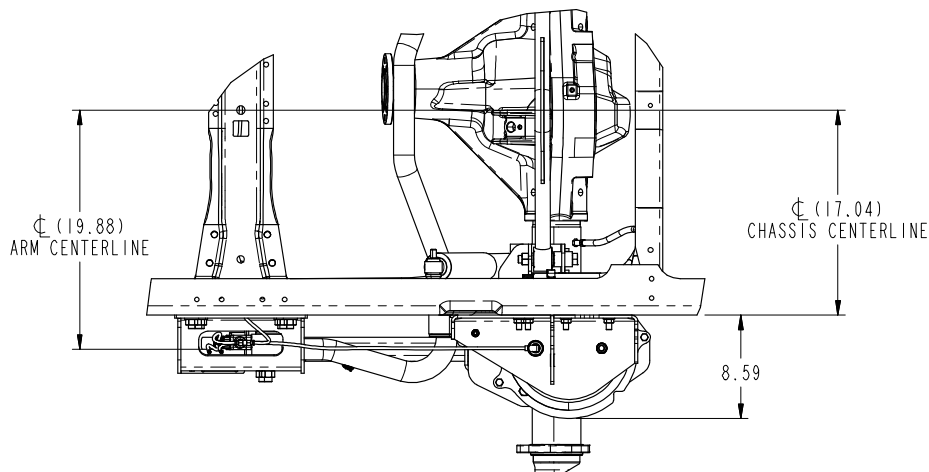
Installation Notes:

- Exhaust hanger may need to be modified slightly in case the exhaust is closer than 1" away from the suspension exhaust shield. Air spring frame mounts will require the drilling of 3 holes and reaming of 2 holes.

Suspension Weight: TBD

Suspension Capacity: 9750 lbs

Top View



Side View

